

## SPECIFICATION & INFORMATION

### THE CIRCLE

#### GENERAL DISCRIPTION

The round picnic table - The Circle - consists of three individually detached parts, one table and two benches. Both the table and the benches consist of a folded tubular steel construction on which wooden planks are mounted. The tubes have a diameter of 50 mm and consist of metallised and then powder-coated steel. The wood for the tabletop and seats has a thickness of 30 mm and a width of 165 mm. These boards are screwed to the steel base with stainless steel screws along the bottom. The table has a lower structure consisting of 2 tubular halves and a grid connected by means of coupling plates. At the bottom of the table there are 6 adjustable feet to ensure stability on any surface. The bench has a lower structure consisting of one tube with two rails attached to it to support the wooden boards. At the bottom of each bench there are 4 adjustable feet to ensure stability on any surface. The shape of the table allows for unhindered side seating. It can seat up to 10 people. The table and the benches can be used separately. For example, the benches can be replaced by chairs or the benches can be placed around a fire pit.

#### FEATURES

The standard colours are light grey (RAL7044), black (RAL9005), yellowgrey (RAL7034). Any RAL colour can be chosen on special request. The wood is untreated as standard. All parts of The Circle are weatherproof. Both the table and the benches can be anchored to the ground using a separately available floor bracket.

#### MAINTENANCE

In case the wood is not treated, annual maintenance is recommended.

#### TRANSPORT

The Bended is transported on a pallet and can be placed by two persons.



## DIMENSIONS

### Table

Diameter top: ± 153 cm

Diameter base: ± 200 cm

Top height: 73 cm

Parasol hole: 6.6 cm

### The Bow (bench)

Outer diameter: ± 235 cm

Width base: ± 214 cm

Seat height: 43 cm

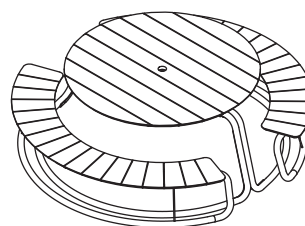
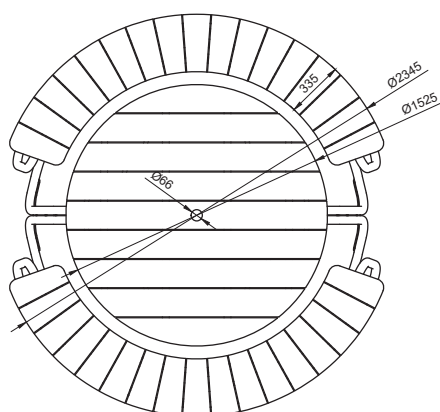
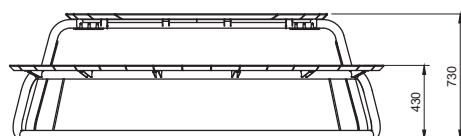
Seat width: 34 cm

### Weight

Table: ± 100 kg

The Bow: ± 40 kg

Set (1 table + 2 x The Bow): ± 180 kg



## TRANSPORT

The complete set of one table and two seats is transported using a specifically designed transport rack. The outer dimensions of the rack and the circle are 240 x 100 x 175 cm (L\*W\*H).

