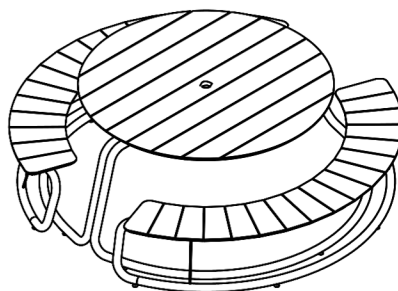


ASSEMBLY INSTRUCTIONS






THE CIRCLE

Round, robust and ravishing. The Circle comfortably seats 8 to 10 people for a cosy heart-to-heart in style. This round table literally - and thus figuratively - brings people together. Cosiness guaranteed, for many years to come.



REQUIRED

- 2 people
- A pair of scissors
- Nut wrench 13 mm 
- Nut wrench 17 mm 
- Hex key 5 mm 

OPTIONAL

- Sandpaper P120 for wood finishing

IN THE PACKAGE

- Assembly instructions
- Table leg - 2 pieces
- Table top - 1 piece
- The Bow - 2 pieces
- Bag with fasteners

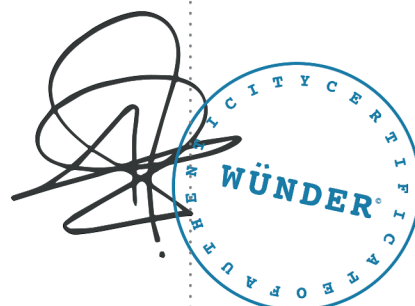
FASTENERS

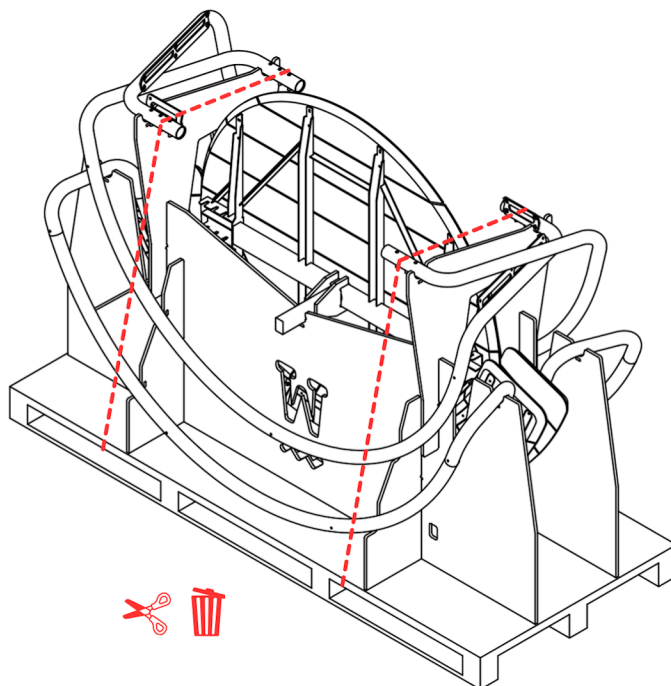


CONTACT

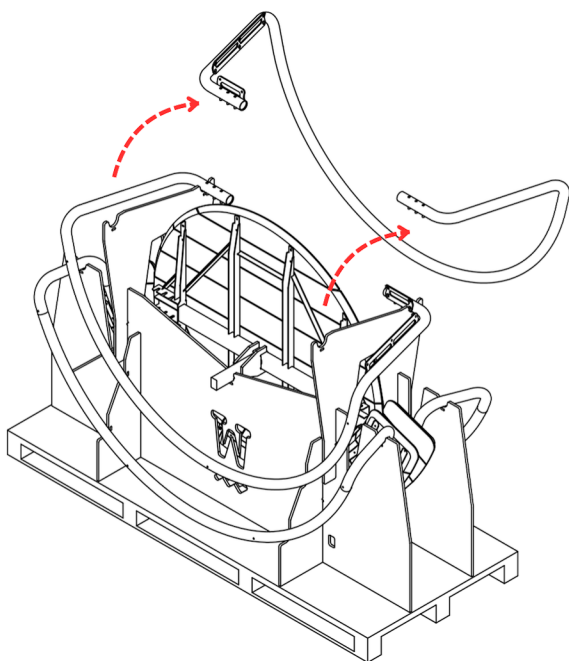
Questions, comments or suggestions regarding our products or our website? Feel free to get in touch with us!

Wünder - Ovenhoek 5, 8800 Roeselare, Belgium
+32 51 79 17 31 - info@wunder.be

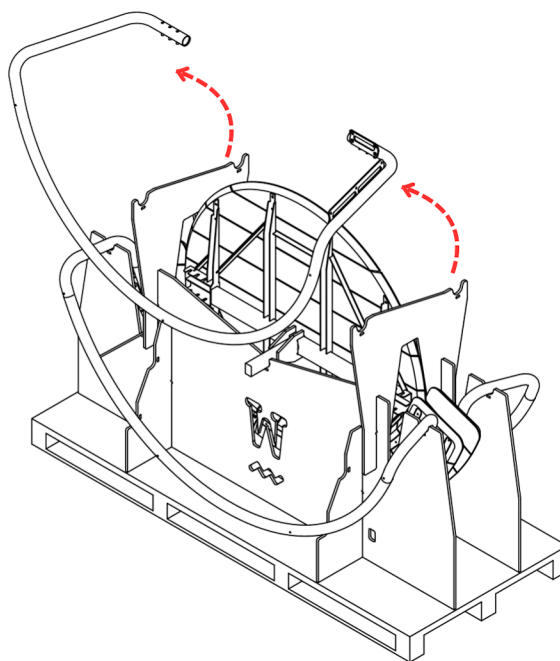




01

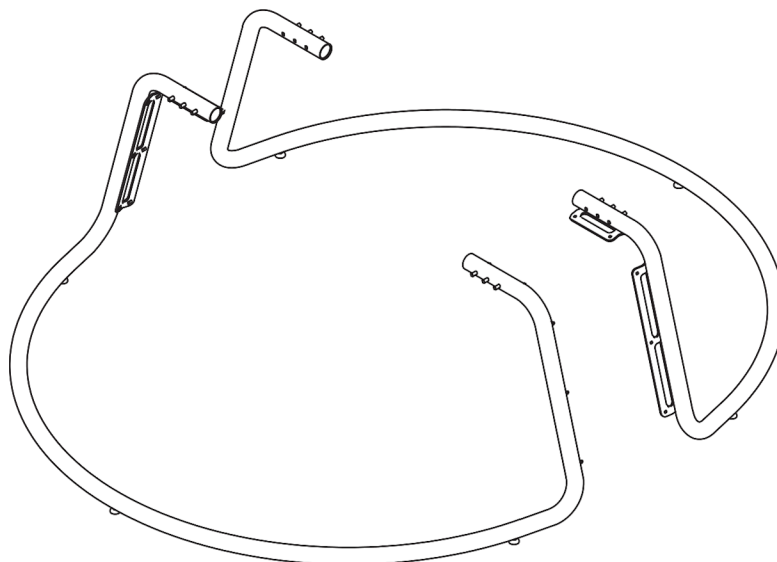


02



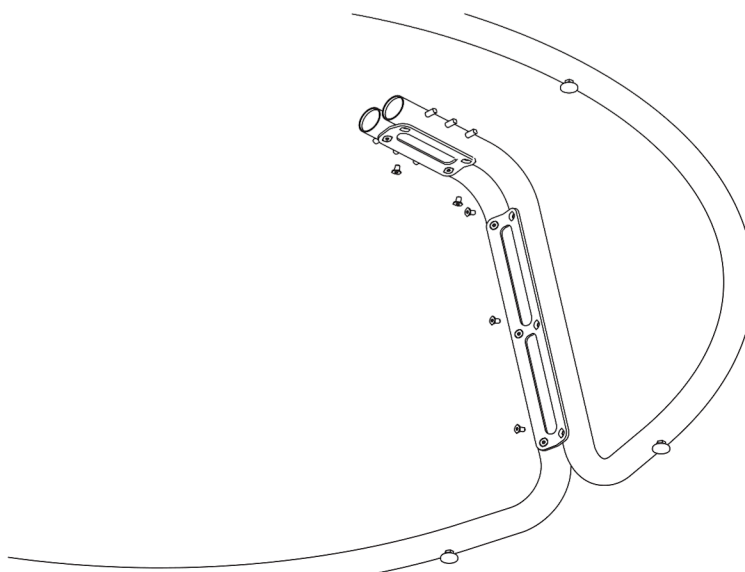
03

- Place the table legs opposite each other, preferably on a flat surface.
- If necessary, adjust the leveling feet to level the structure.

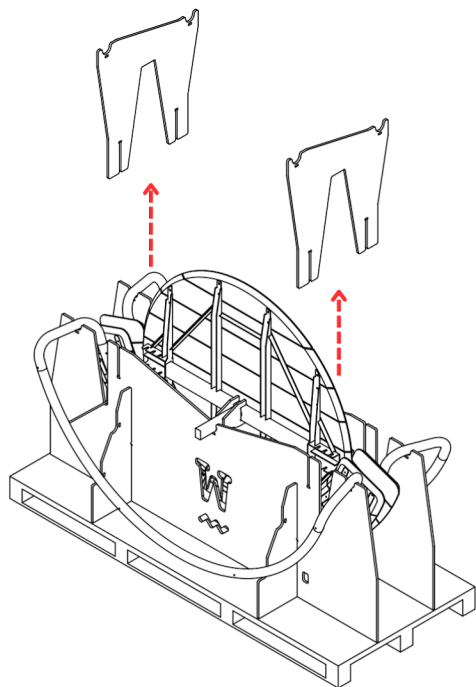


04

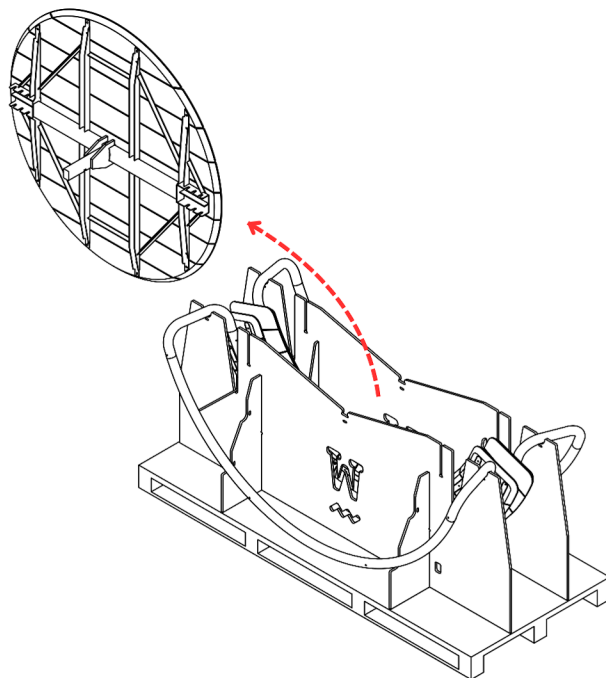
- Attach the mounting brackets using the countersunk M8 bolts and a 5 mm hex key.
- The bolts should turn smoothly in the threaded holes. Forcing them in might damage the screw thread.
- unscrew the pre-mounted bolts if the previous step is troublesome.
- Do not fully tighten the countersunk bolts until step 5.



05

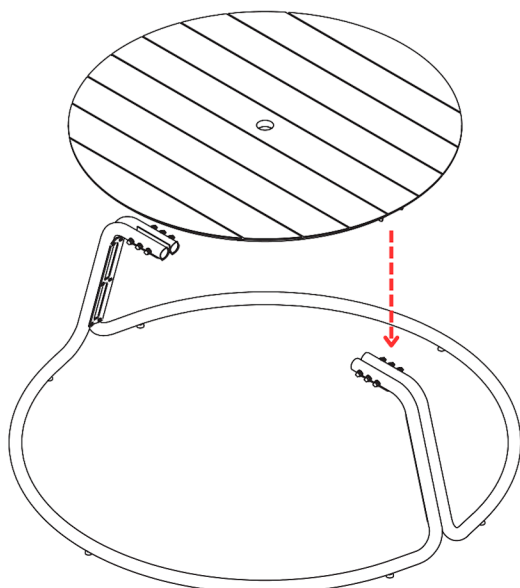


06



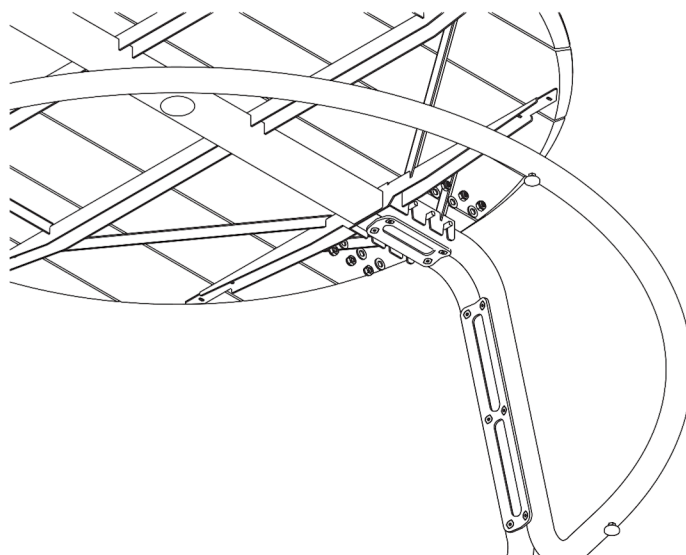
07

- Carefully place the table top onto the tubular base.
- Make sure the top fits firmly. If necessary, apply some pressure.
- Clamp or place a weight on the table top.

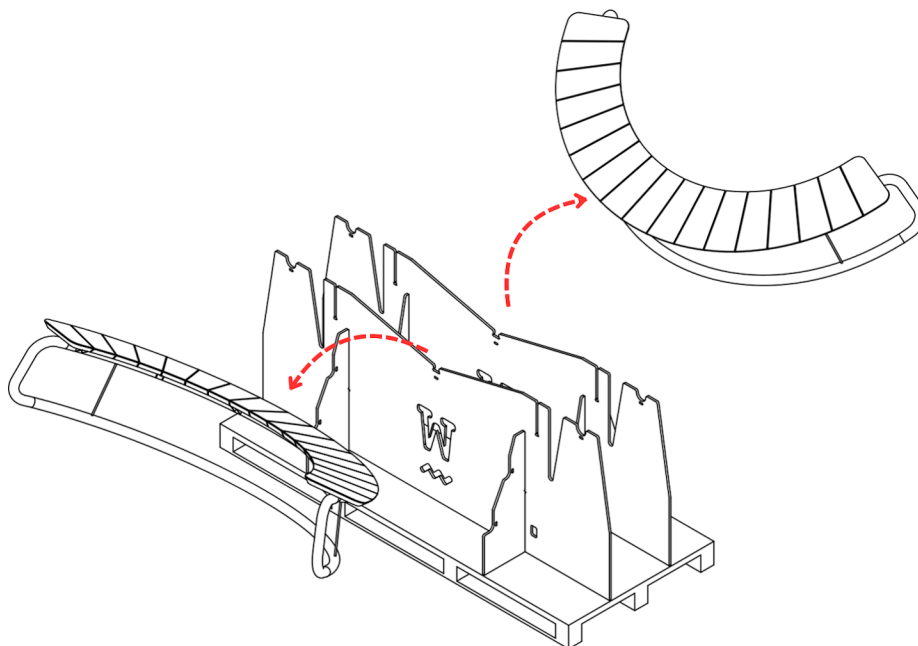


08

- Install the washers and M10 hexagon nuts on the threaded rods.
- Use a wrench (17 mm) to tighten the nuts firmly.
- Now is also the time to tighten the countersunk bolts.



09



10

- Determine the exact location of The Circle.

11

- Before you start leveling the table, make sure all that leveling feet are completely screwed in.
- Any feet that do not touch the ground should be unscrewed until they do. Use a wrench (13 mm) for this.
- Unscrewing one foot too far out may cause another one to lift off the ground.
- Whenever The Circle is moved, it is advisable to check the leveling feet again.

