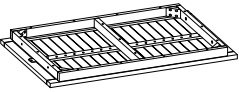
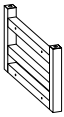
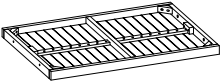






Parts & Hardware

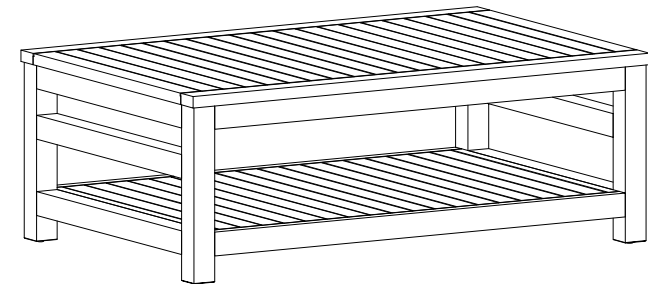
A		x 1 PC
B		x 2 PC
C		x 1 PC
D	 Ø26 x Ø8 x 2mm	x 8 PC
E	 M8 x 2mm	x 8 PC
F	 M8 x 65mm	x 8 PC
G	 M4	x 1 PC

Garden Trading®

Sandridge Coffee Table Assembly Instructions

Please read through these instructions and ensure they are kept for future reference.
All parts and hardware are listed on the back of this guide.

WHEN ASSEMBLING THIS PRODUCT PLEASE PLACE PARTS ON A SOFT SURFACE TO AVOID DAMAGE OR SCRATCHES.



Care Instructions

We recommend assembling your coffee table on a non-abrasive surface such as a dust sheet or the original cardboard packaging.

To prevent any damage to your coffee table, we advise against the use of power tools to assemble. We advise against the use of abrasive or corrosive cleaning agents as discolouration may occur and cause the wood to crack.

In the event of any spills, wipe them immediately with a damp cloth.

Please avoid positioning your furniture on uneven surfaces.

Always use place mats and coasters, to prevent scratching, heat rings and water marks. Do not place hot or cold items directly onto your furniture.

Whilst suitable for indoor and outdoor use, we recommend storing your furniture inside or undercover to preserve its condition during the winter months.

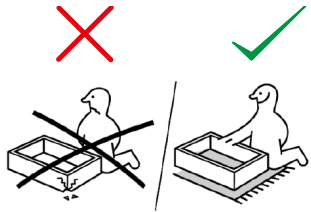
Please do not drag the furniture, we recommend to always lift it to move, avoiding any breakages.

Garden Trading®

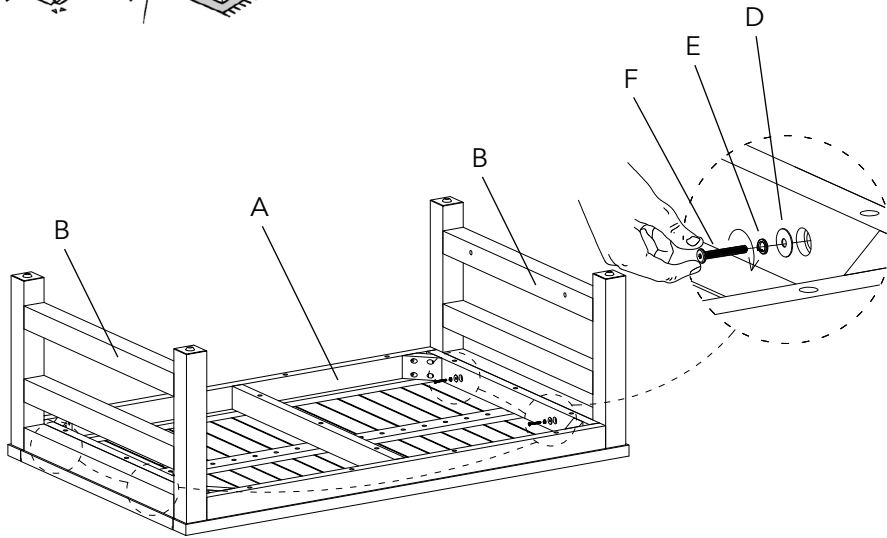
gardentrading.co.uk

customerservices@gardentrading.co.uk

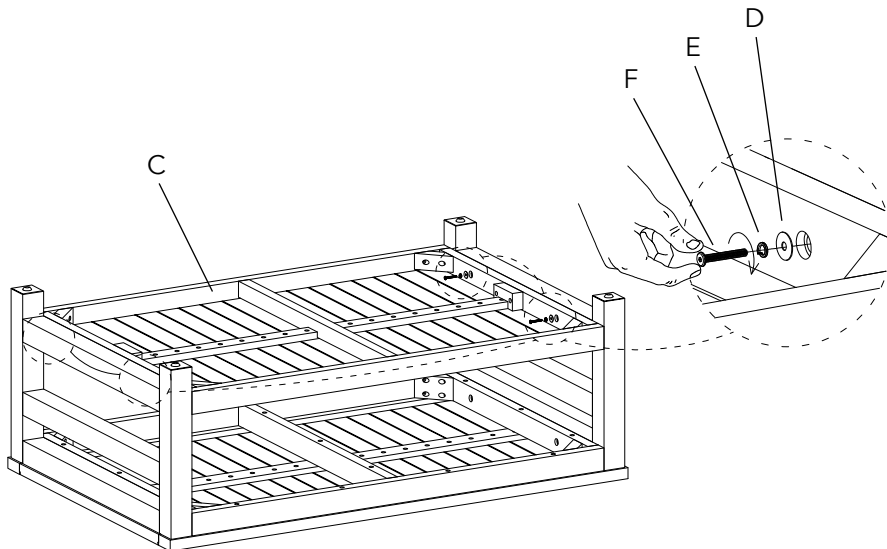
TGTC, Hargreaves Road, Groundwell Industrial Estate, Swindon, SN25 5AZ



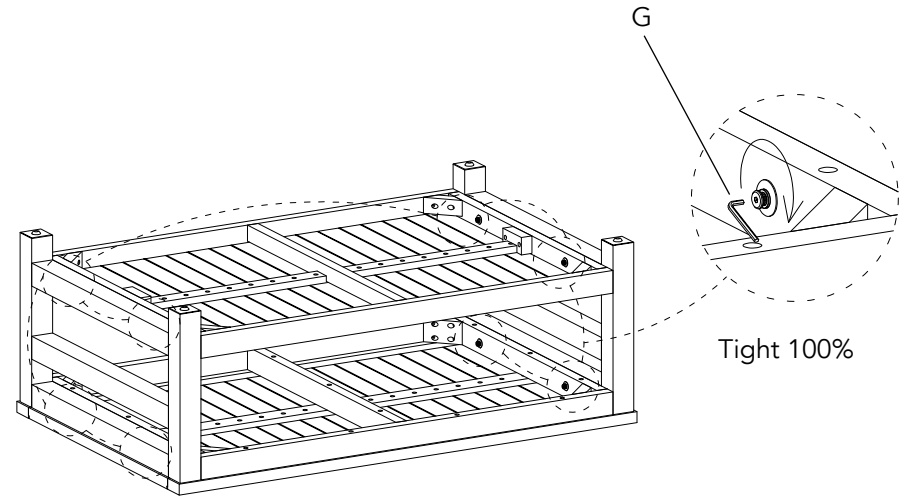
①



②



③



MAX: 35 KGS



IILFSA99