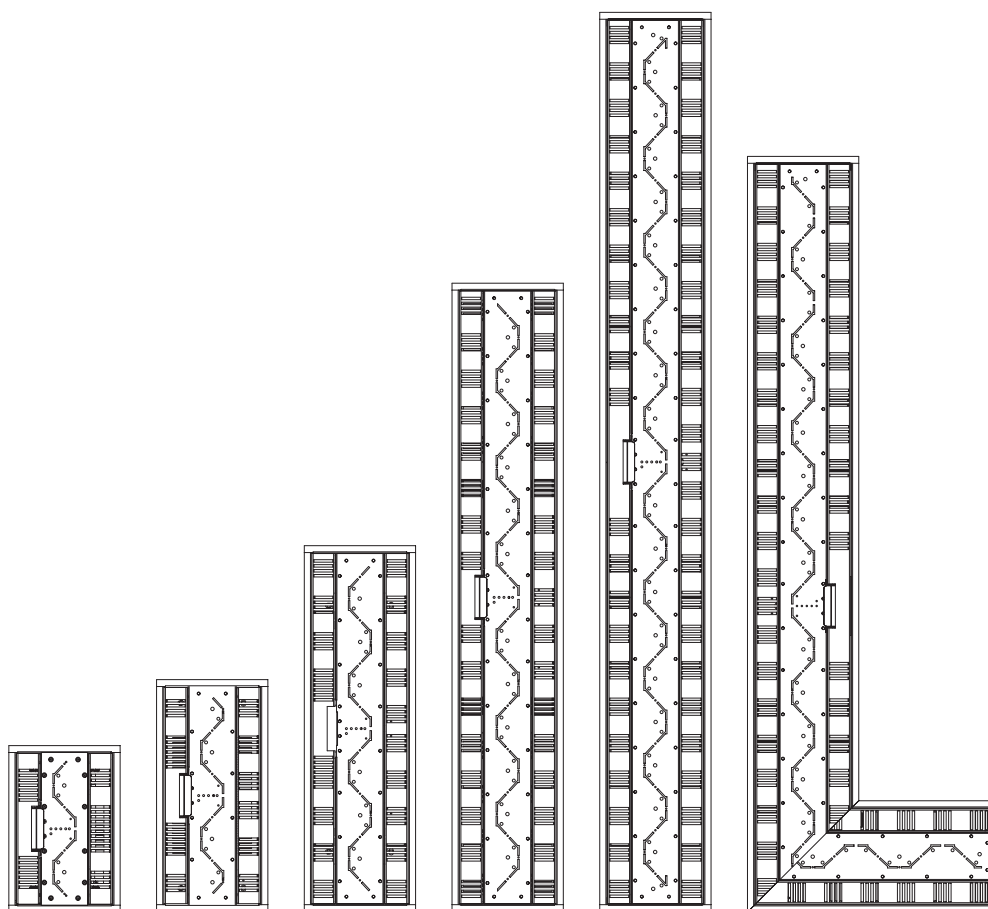




# Italkero

*Gas heating*  
**- firebox insert -  
OUTDOOR USE**



## **SNAKE**

**40 - 60 - 80 - 130 - 180 - 180C**

**INSTALLATION and  
MAINTENANCE**



0063  
CU3238

## COMPLIANCE

Our equipment is conforming with:

- Regulations (UE) 2016/426 (GAR)
- Electromagnetic Compatibility Directive 2014/30/UE
- low Voltage Directive 2014/35/UE
- Regulations RAEE 2019/19/UE



## RANGE

	40	60	80	130	180	180C
OUTDOOR	SO05A0 MI000	SO07A0 MI000	SO09A0 MI000	SO13A0 MI000	SO18A0 MI000	SO18AC MID00

### ACCESSORIES

Gas supply valve KIT

Electrical power supply KIT

Wood KIT

Stone KIT

Sheet metal cover (painted stainless steel)

Connection cable for smoke extractor

Wall control (wired)

Sheet metal KIT to connect two appliances (on the short side)

*Dear Technician,*

*You are fortunate to have available an appliance capable of ensuring maximum and lasting aesthetic well-being ensuring high reliability, efficiency, quality and safety*

*With this manual our intention is to provide you with the information we consider necessary for correct and easier installation of the appliance, adding to your proven expertise and technical expertise.*

*Enjoy working with the appliance and thank you again.*

*The Manufacturer*

---

## WARRANTY

Before contacting the authorised warranty activation service centre, check that:

- the appliance is functional and with all its components installed (possible glass protection, blocks or pebbles, valve housing with door).
- all parts of the appliance can be inspected and therefore without its final decorative coating.
- it is properly connected to gas and electricity (in case of power supply accessory)

### WORLDWIDE

Manufacturer warrants compliance of the manufacturing proceeding to EC regulations applicable to products and in force at the moment. Manufacturer warrants product free from defects in materials and workmanship. This appliance benefits of statutory warranty only if it is fitted in accordance with the Manufacturer's instructions

### FOR EUROPEAN UNION ONLY

The product benefits from the European 2-year warranty throughout the product, including the electronic components; with the exception of crystals, doors, interior and general decoration, all pieces that are consumable or subject to deterioration.

## TABLE OF CONTENTS

General warnings	5
Basic safety rules	5
Description of the appliance	6
Identification	6
Pre-installation	7
- types of gas	7
- electrical connection	7
- gas connection	8
- compliance with the Standards	9
Structure	11
Receiving the product	12
Dimensions and weights	13
Installation	14
- fixing	14
- housing compartment	15
- safety distances	16
Commands	17
First ignition	19
Adjustments	21
Wood or stones	22
Special installations	23
Useful information	24

*In same parts of the book there are used these symbols:*








**Attention:** it used to underline particular caution or actions.





**Prohibited:** it used to underline the actions that don't half to be executed.


## GENERAL WARNINGS


-  After removing the packaging ensure the integrity and completeness of the contents. In case of non-compliance, contact the Agency that sold the appliance.
-  Installation of the appliance must be carried out by a company authorised in accordance with the Law. At the end of the work, it must issue to the owner the declaration of conformity of installation carried out in a workmanlike manner, that is in compliance with the current Standards and the indications provided by the Manufacturer in the manual for the installer that is supplied with the product
-  The appliance is designed for the use intended by the Manufacturer for which it was manufactured. Any contractual and non-contractual liability of the Manufacturer for damage caused to persons, animals or property, due to errors in installation, adjustment and maintenance or improper use of the appliance is excluded.  
In the case of non-use for a lengthy period:
  - turn the main switch of the appliance to “off”;
  - turn the main switch of the system, if present, to “off” or disconnect the plug from the power socket if present;
  - remove the batteries from the control unit on the appliance;
  - turn off the gas valve.
-  This manual is an integral part of the appliance and must therefore be stored carefully and must ALWAYS accompany the appliance even if it is sold to another owner or user or transferred to another system.

 In case of damage or loss, request another copy from the Technical Assistance Service of the Local Manufacturer.


 This appliance is equipped with a fire bed with embers and ceramic blocks containing refractory ceramic fibre, consisting of artificial fibres of vitreous silicate. It is therefore advisable to minimise the release of dust during handling of these materials. Prolonged exposure to these materials may cause irritation to the eyes, skin and respiratory system. In case of replacement of one of the components of the embers or blocks, it is advisable to seal the removed parts in a bag and to take them to a waste disposal centre.

 **ATTENTION! BEFORE TURNING ON THE APPLIANCE, CAREFULLY READ ALL THE INSTRUCTIONS AND WARNINGS CONTAINED IN THIS MANUAL.**

 The appliance can be used outdoors in both domestic and commercial environments.






 In case of rain or strong wind, always with the appliance switched off and cold, protect it from the elements with an adequate cover that prevents water infiltration that can damage it and compromise its operation.

The cover is a Manufacturer's price list accessory but can be created by the user using fireproof materials and suitable paints.

 The appliance has been built with materials and components designed to withstand humidity and low temperatures, however it is not to be considered completely water resistant.

## BASIC SAFETY RULES

We remind you that the use of products that use fuels and electricity involves compliance with a number of basic safety rules such as:

-  Children and unassisted disabled persons are prohibited from using the appliance.
-  It is forbidden to operate electrical devices or appliances such as switches, appliances, etc. if there is an odour of fuel or of combustion fumes or unburnt substances.  
In this case:
  - ventilate the room by opening doors and windows;
  - close the fuel shut-off device;
  - promptly involve the Manufacturer's Technical Assistance Service or professionally qualified personnel.Any cleaning operation before complete cooling of the appliance is prohibited, therefore disconnect
-  the power supply by turning the main switch of the system to "OFF" or unplug (if present).
-  It is forbidden to pull, detach or twist the electrical cables leaving the appliance even if it is disconnected from the mains power supply.  
It is forbidden to place on the appliance objects such as towels, dishcloths, doilies, etc. that could cause malfunctions or even danger.
-  It is forbidden to disperse, discard or leave within reach of children the packaging material (cardboard, staples, plastic bags, etc.) as it can be a potential source of danger and pollution.

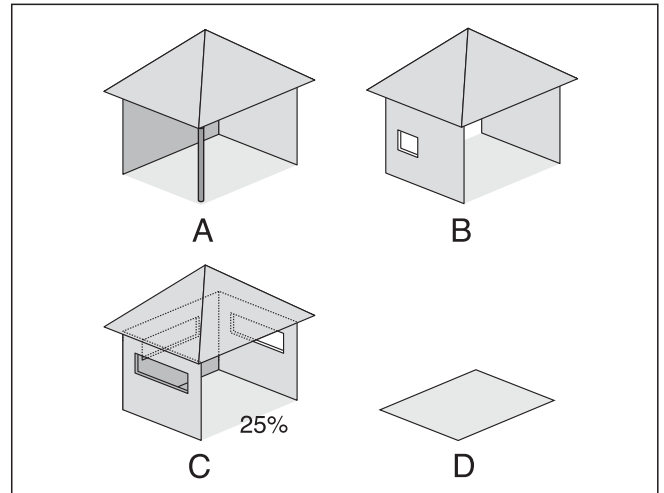
## DESCRIPTION OF THE APPLIANCE

This appliance is an outdoor heater, made of painted STAINLESS steel, with the top treated for high temperatures.

Use of this appliance in an enclosed area is dangerous and prohibited”.

The appliance is intended for outdoor use or in a very ventilated/airy area. Very ventilated means at least 25% of the open surface area. The surface area is the sum of the surface walls.

**⚠ This appliance is not intended for use with gases or pressures other than those for which it has been pre-regulated; the injectors are not removable.**



## IDENTIFICATION

The appliance can be identified by:

### - **Packaging label**

it shows the name of the product, the code, the serial number and the type of gas used.

### - **the Technical Plate**

it shows the serial number, the model and the main technical-performance data.

### - **The gas fitting plate**

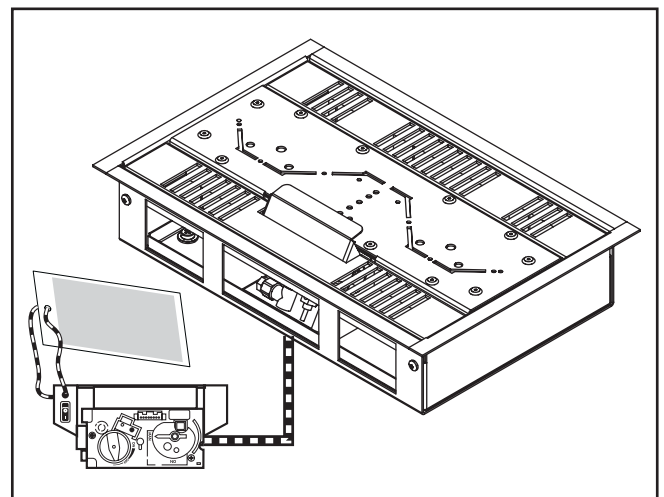
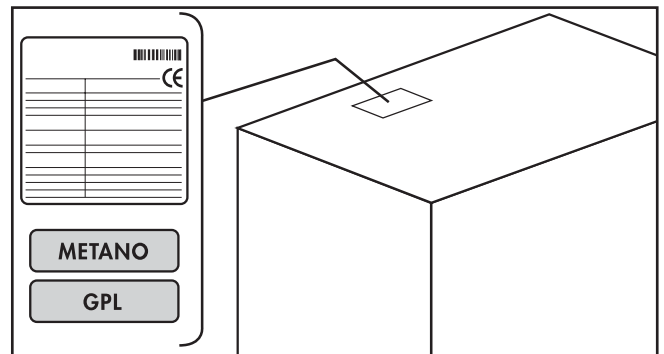
It displays the name of the gas for which the appliance has been set-up and adjusted.

Any type of tampering for its operation with another type of gas is to be considered dangerous and the Manufacturer cannot be held liable for any damage to persons or property.

Tampering with any parts of the appliance or components will result in the immediate loss of all warranty rights offered by legal obligations.

**⚠ Spare parts and/or technical interventions require exact identification of the model of equipment for which they are intended.**

**Tampering with, the removal or absence of the Technical Plate or anything else will impede safe identification of the product making any installation or maintenance operation difficult.**



**TYPES OF GAS**

Before proceeding with installation, check that the data on the label of the appliance corresponds to the type and pressure of the gas supplied.

Gas installation and connection must be carried out by qualified personnel, in full compliance with the applicable Standards.

Make sure that the gas inlet duct has the appropriate flow rate and that it has a shut-off valve near the appliance and is easy to access.

category	3P	3B/P	3+	2E	2H	2E(R)	2Er
GAS	Propane	Butane - Propane	Butane - Propane	Methane	Methane	Methane	Methane

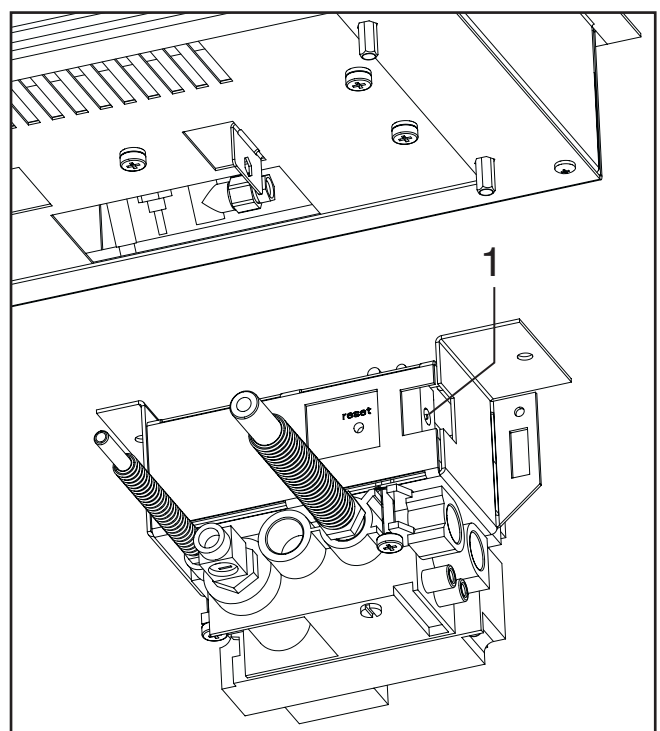
**ELECTRICAL CONNECTION**

The appliance is always supplied ready to operate with 4 x 1.5VDC AA batteries so it does not require connection to the mains.

The power supply accessory allows the appliance to operate with 230VAC mains voltage (1).

In this case it will be necessary to have an electrical outlet within a radius of 1.5 meters.

**⚠ If this accessory is used, the batteries are automatically excluded and it is therefore necessary to remove them, to avoid their inactivity causing the release of liquids and damage to the control board.**



## GAS CONNECTION

The appliance is equipped with a table that uniquely identifies it.

paste here  
adhesive plate

This appliance is not intended for use with gases or pressures other than those for which it has been pre-regulated; the injectors are not removable.


	gas	40	60	80	130	180	180C		
Rated power (p.c.s.)	NAT	9.50	11.00		14.50		17.00	kW	
	LPG	9.50	11.00		14.50		17.00	kW	
Number of main burner injectors		1	1		2		2	no.	
Main burner injector diameter	NAT	2.50	2.90		2.30		2.50	mm	
	LPG	1.45	1.60		1.25		1.40	mm	
Pilot burner injector	NAT	0.35							mm
	LPG	0.25							mm
Gas pipe diameter		1/2" M/F							mm

The gas connection must be created with a metal pipe directly on the gas valve.

## COMPLIANCE WITH THE STANDARDS

For installation of this appliance it is always necessary to comply with the rules in force in the country in which it is to be used.

Elements to be respected for GAS CONNECTION:

 **For LPG appliances, all rooms with a floor below the external pedestrian floor or communicating with this type of environment are excluded.**

Do not connect the cylinder directly to the appliance without inserting a pressure regulator.

For the connection of the appliance to liquid gas normally distributed in high pressure cylinders, it is necessary to have a pressure regulator (not supplied) to be connected after the gas tank that has the characteristics indicated according to the type of gas and the model of the appliance:

Type of gas				
Category	3P	3B/P	3+	
Gas	Propane	Butane- Propane	Butane	Propane
MAXIMUM pressure that can be supplied by the regulator	37 mbar	28-30 mbar	28-30 mbar	37 mbar

Appliance model				
Model	40	60 - 80	130	180 - 180C
MIN flow rate deliverable by the regulator	656 gr/h	801 gr/h	954 gr/h	1188 gr/h

The appliance is not supplied with a compartment for housing of the cylinder, so it will be the responsibility of the installer to arrange a connection in a workmanlike manner following the main rules provided in the country in which the appliance will be installed, and in particular:

- Pipe route such as to be safe and always inspectable.
- Pipe size with reference to the thermal flow rate of the appliance.
- Make sure the connections are secure.
- Pipe size with reference to the thermal flow rate of the appliance.
- The positioning of the gas pipes must generally allow inspectability and maintenance at any time in the event of malfunctions.

### NATURAL GAS · STEEL PIPE

flow rate by volume (m<sup>3</sup>/h at 15°C) with density 0.6 with a pressure loss of 1.0mbar

Threading (inches)	3/8	1/2	3/4	1	1 - 1/4	1 - 1/2	2
Inner diameter (mm)	13.2	16.7	22.5	27.9	36.6	42.5	53.9
Thickness (mm)	2	2.3	2.3	2.9	2.9	2.9	3.2
pipe length (m)	flow rate volume (m <sup>3</sup> /h)						
2	3.16	5.92	13.11	23.26	47.97	71.46	-
4	2.15	4.03	8.92	15.83	32.64	48.62	91.63
8	1.46	2.74	6.07	10.77	22.21	33.08	62.35
10	1.29	2.42	5.36	9.51	19.62	29.23	55.08
15	1.03	1.93	4.28	7.59	15.66	23.33	43.97
20	0.88	1.65	3.65	6.47	13.35	19.89	37.47
25	0.78	1.46	3.22	5.72	11.79	17.57	33.11
30	0.70	1.31	2.91	5.17	10.66	15.87	29.92
40	0.60	1.12	2.48	4.40	9.08	13.53	25.50
50	0.53	0.99	2.19	3.89	8.02	11.95	22.52
75	0.42	0.79	1.75	3.11	6.41	9.54	17.98
100	0.36	0.67	1.49	2.65	5.46	8.13	15.33

### LPG · STEEL PIPE

flow rate by volume (m<sup>3</sup>/h at 15°C) with density 1.69 with a pressure loss of 2.0mbar

Threading (inches)	3/8	1/2	3/4	1	1 - 1/4	1 - 1/2	2
Inner diameter (mm)	13.2	16.7	22.5	27.9	36.6	42.5	53.9
Thickness (mm)	2	2.3	2.3	2.9	2.9	2.9	3.2
pipe length (m)	flow rate volume (m <sup>3</sup> /h)						
2	2.61	4.89	10.84	19.23	39.66	59.09	111.35
4	1.78	3.33	7.37	13.09	26.99	40.20	75.76
8	1.21	2.27	5.02	8.90	18.36	27.35	51.55
10	1.07	2.00	4.43	7.87	16.22	24.16	45.54
15	0.85	1.60	3.54	6.28	12.95	19.29	36.35
20	0.73	1.36	3.02	5.35	11.04	16.44	30.98
25	0.64	1.20	2.66	4.73	9.75	14.52	27.37
30	0.58	1.09	2.41	4.27	8.81	13.12	24.73
40	0.49	0.93	2.05	3.64	7.51	11.19	21.08
50	0.44	0.82	1.81	3.22	6.63	9.88	18.62
75	0.35	0.65	1.45	2.57	5.30	7.89	14.87
100	0.30	0.56	1.23	2.19	4.51	6.72	12.67

### NATURAL GAS · COPPER PIPE

flow rate by volume (m<sup>3</sup>/h at 15°C) with density 0.6 with a pressure loss of 1.0mbar

External diameter (mm)	12	14	15	16	18	22	28
Inner diameter (mm)	10	12	13	14	16	20	26
Thickness (mm)	1	1	1	1	1	1	1
pipe length (m)	flow rate volume (m <sup>3</sup> /h)						
2	1.51	2.45	3.04	3.70	5.28	9.57	19.27
4	1.03	1.67	2.07	2.52	3.59	6.51	13.11
8	0.70	1.14	1.41	1.71	2.44	4.43	8.92
10	0.62	1.00	1.24	1.51	2.16	3.92	7.88
15	0.49	0.80	0.99	1.21	1.72	3.13	6.29
20	0.42	0.68	0.84	1.03	1.47	2.66	5.36
25	0.37	0.60	0.75	0.91	1.30	2.35	4.74
30	0.33	0.54	0.67	0.82	1.17	2.13	4.28
40	0.29	0.46	0.57	0.70	1.00	1.81	3.65
50	0.25	0.41	0.51	0.62	0.88	1.60	3.22
75	0.20	0.33	0.41	0.49	0.71	1.28	2.57
100	0.17	0.28	0.35	0.42	0.60	1.09	2.19

### LPG · COPPER PIPE

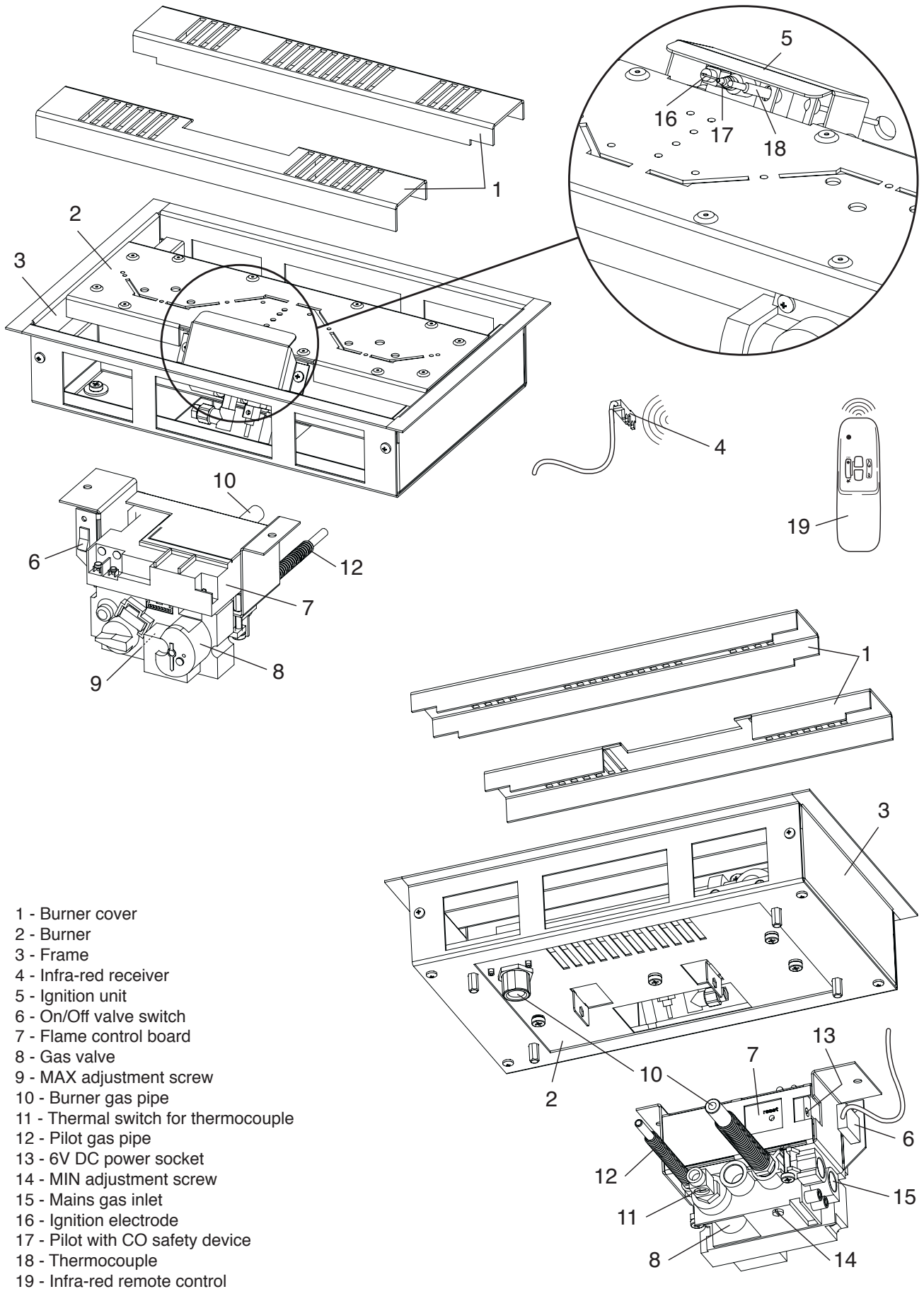
flow rate by volume (m<sup>3</sup>/h at 15°C) with density 1.69 with a pressure loss of 2.0mbar

External diameter (mm)	12	14	15	16	18	22	28	35
Inner diameter (mm)	10	12	13	14	16	20	26	33
Thickness (mm)	1	1	1	1	1	1	1	1
pipe length (m)	flow rate volume (m <sup>3</sup> /h)							
2	1.25	2.03	2.51	3.06	4.37	7.92	15.94	30.09
4	0.85	1.38	1.71	2.08	2.97	5.39	10.84	20.48
8	0.58	0.94	1.16	1.42	2.02	3.66	7.38	13.93
10	0.51	0.83	1.03	1.25	1.79	3.24	6.52	12.31
15	0.41	0.66	0.82	1.00	1.43	2.58	5.20	9.83
20	0.35	0.56	0.70	0.85	1.21	2.20	4.43	8.37
25	0.31	0.50	0.62	0.75	1.07	1.95	3.92	7.40
30	0.28	0.45	0.56	0.68	0.97	1.76	3.54	6.68
40	0.24	0.38	0.48	0.58	0.83	1.50	3.02	5.70
50	0.21	0.34	0.42	0.51	0.73	1.32	2.67	5.03
75	0.17	0.27	0.34	0.41	0.58	1.06	2.13	4.02
100	0.14	0.23	0.29	0.35	0.50	0.90	1.81	3.42

However, the cylinder cannot be within the range of the appliance or even above the level delimited by the burner flame plane, the minimum distance to be considered is at least 1.5 m from the firebox.

The cylinder compartment created must ensure easy replacement of the cylinder with the pressure regulator in position on the cylinder and provide adequate ventilation to avoid the accumulation of gas avoiding any leaks from the cylinder or fitting in the compartment. The openings must be such as to ensure:

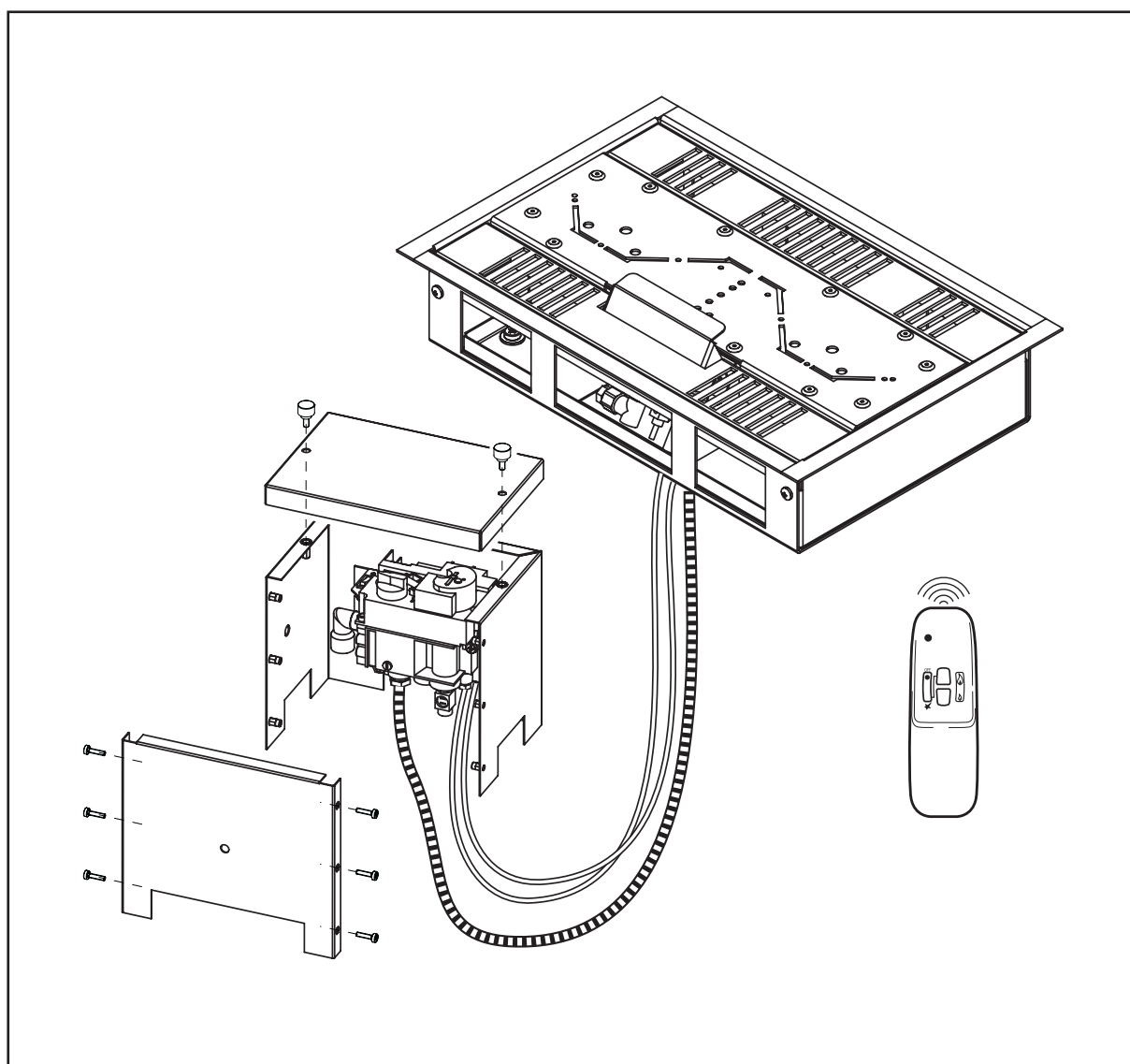
- An opening at the top of at least 1/100 the surface area of the base
- An opening at the base of at least 1/50 the surface area of the base itself
- The cylinder must be anchored and stable with respect to the compartment
- Access to the cylinder valve must be without the use of tools and using one hand only
- The passage holes for the gas pipe (if it is a flexible pipe) must be through holes without roughness or sharpness



## RECEIVING THE PRODUCT

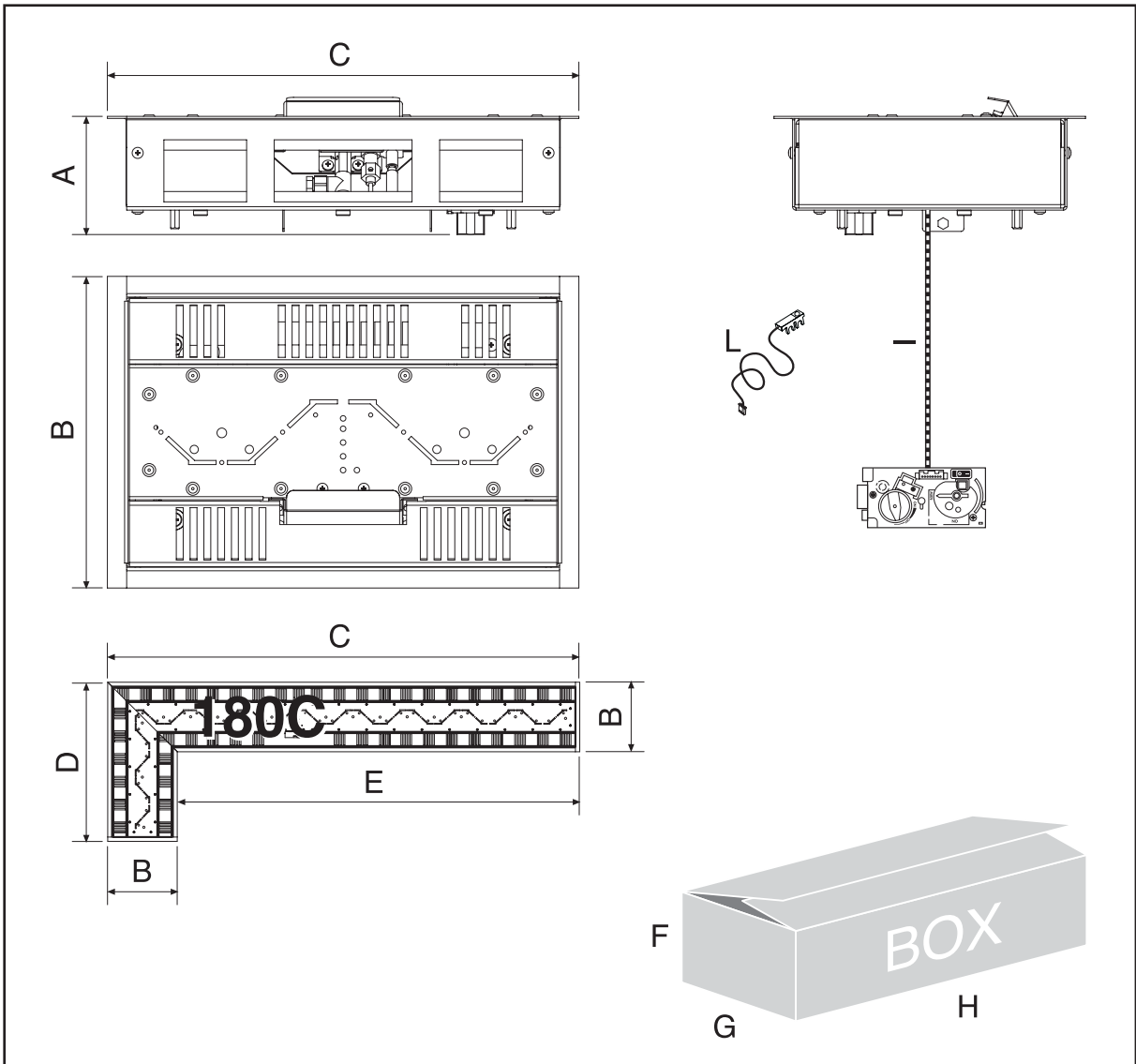
The appliance is supplied with:

- no. 1 Device with remote valve
- no. 1 Standard On/Off remote control
- no. 1 Remote valve with cover
- no. 1 Document envelope:
  - no. 1 User instructions manual
  - no. 1 Installer manual
  - no. 1 Warranty certificate
  - no. 1 Warranty labels



## DIMENSIONS AND WEIGHTS

	40	60	80	130	180	180C	
A	68						mm
B	226						mm
C	342	475	743	1276	1825	1534	mm
D						517	mm
E						1308	mm
F	180						mm
G	320						mm
H			1010				mm
I	1000	1000	1700	1700	1700	1700	mm
L (receiver)	1000						mm
net weight	6	7	10	15	19	21	Kg
gross weight			10.5				Kg



## INSTALLATION

The appliance in your possession includes:

- Burner body incorporated in the structure provided for the recess
  - Gas valve connected to the burners with hoses of 1m length for mod.40 - 60 and 1.7m for the others (from the centre of the burners)
  - Gas valve support bracket for electronic burner management
  - Remote control for remote management of the burners: on, MAX/MIN flame adjustment and off.
- There are no functional and structural parts to assemble before installation of the individual appliance.

### FIXING:

**A) ONE APPLIANCE:** create the compartment (1) to house and secure the appliance.

**!** **Secure the appliance using the holes on the frame.**

This compartment must be larger than the firebox in order to guarantee an empty gap of 5mm along the entire perimeter of the appliance.

This cavity will be used both for convenient insertion and for quick removal of the appliance in case of any future repairs.

- Create a housing compartment for the gas valve, close the compartment with a door (accessory) or create one, to avoid easy access and to ensure greater protection of the valve.
- Anchor the valve support bracket in the compartment created, securing it with appropriate screws.
- Be sure to have left the technical data plate easily accessible to anyone who will be called in to work on the appliance.

**B) MULTIPLE APPLIANCES:** create the compartment (1) to house and secure all the appliances.

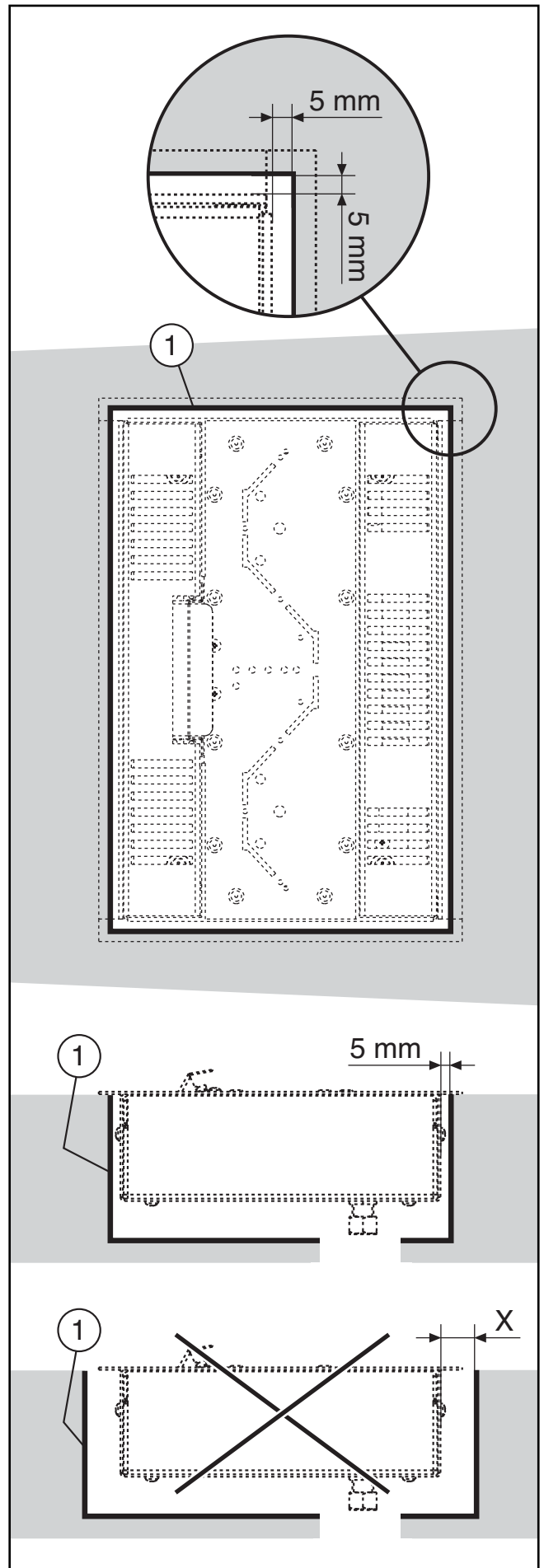
**!** **Secure each appliance using the holes on the frame.**

This compartment must be larger than the composition of the braziers in order to guarantee an empty gap of 5mm along the entire perimeter of the composition.

This cavity will be used both for convenient insertion and quick removal of the appliances in case of any future repairs.

- Make sure that the appliance rests stably and horizontally in the compartment created and provide at least one screw anchor at the base of the compartment.
- Create a housing compartment for the gas valve, close the compartment with a door (Price List accessory) or create one, to avoid easy access and to ensure greater protection of the valve.
- Anchor the valve support bracket in the compartment created, securing it with appropriate screws.
- Be sure to have left the technical data plate easily accessible to anyone who will be called in to work on the appliance.

**!** **For the installation of two or more appliances, refer to the Special Installations Chapter.**



## HOUSING COMPARTMENT

The appliance is to be considered recessed, so it is necessary to create a compartment in which to place it and then fix it using the holes on the frame.

The materials of which the compartment must be composed, vertical sides and horizontal plane, must be resistant to minimum temperatures of 80°C plus ambient temperature: the materials that by their nature are considered flammable or labelled as such must be avoided.

**⚠ Install the appliance avoiding the use of cement or other adhesives for construction that may prevent its possible removal.**

**⚠ The cladding counterwalls, all self-supporting, complete installation of this appliance and must be constructed with non-flammable materials in full compliance with the current regulations.**

The housing compartment for the gas valve must be made of fireproof material, with dimensions such as to accommodate the gas valve (1) with the protective cover (2).

Both the valve and the cover must be easily accessible for maintenance.

The valve plus cover assembly must be positioned under the appliance and, if necessary, can be fixed in the housing compartment with appropriate plugs and brackets (components not supplied).

The valve plus cover, can be inserted in the housing compartment, horizontally, vertically or on the short side.

Vertical positioning of the cover (2) prevents the entry of liquids thanks to its configuration and the cover.

**⚠ Create a duct for the possible leakage of liquids or rainwater from inside the compartment, to avoid stagnations that could cause serious damage to the appliance.**

### Infra-red receiver

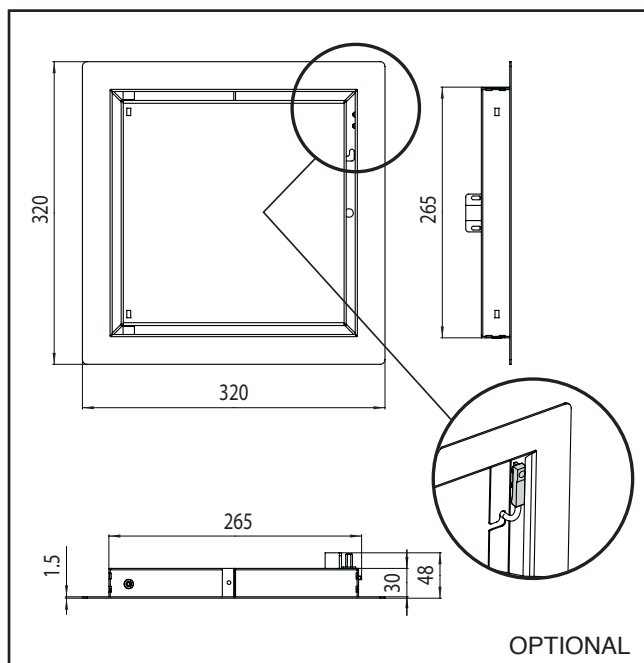
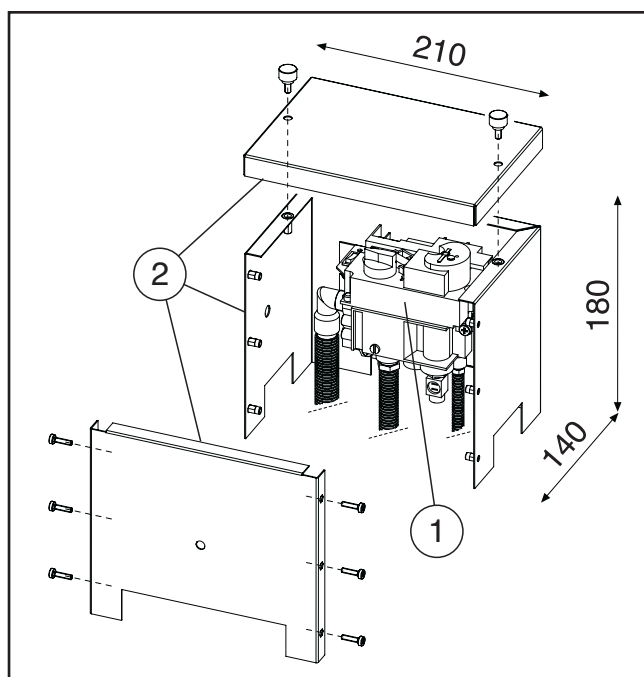
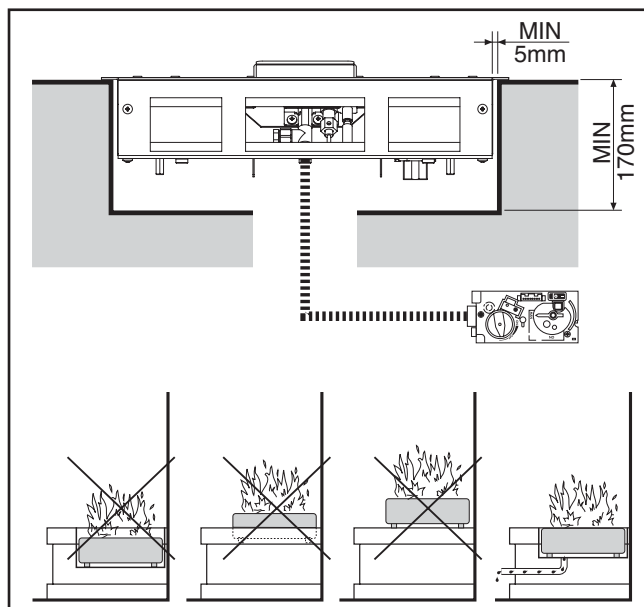
The housing compartment of the gas valve must be closed with a door (accessory) to prevent free access and to protect the valve.

On the accessory door frame, the Manufacturer has provided a slit to house the receiver of the appliance.

To avoid using the accessory door, it is possible to create one, using fireproof materials.

In this case the receiver must be positioned immediately next to the appliance but it is necessary to:

- avoid positioning it along the entire surface of the burner or along the entire edge of the appliance for a thickness of 1 cm.
- avoid direct exposure to artificial glare or sunlight sources.
- do not place it behind any obstacle (glass, sheet metal, wood, stone, etc.)



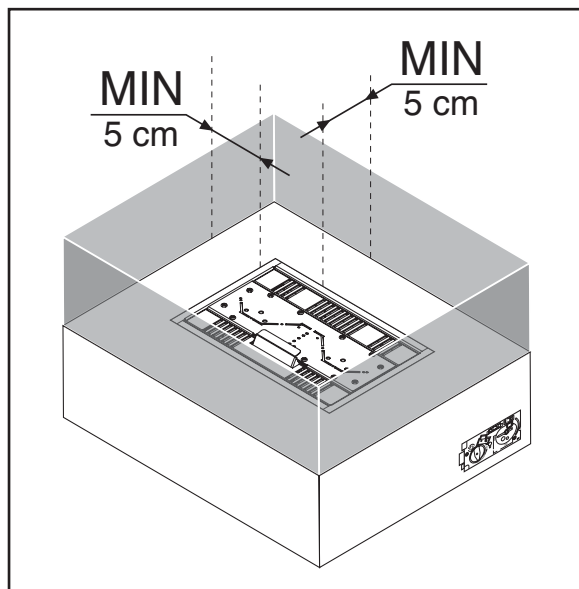
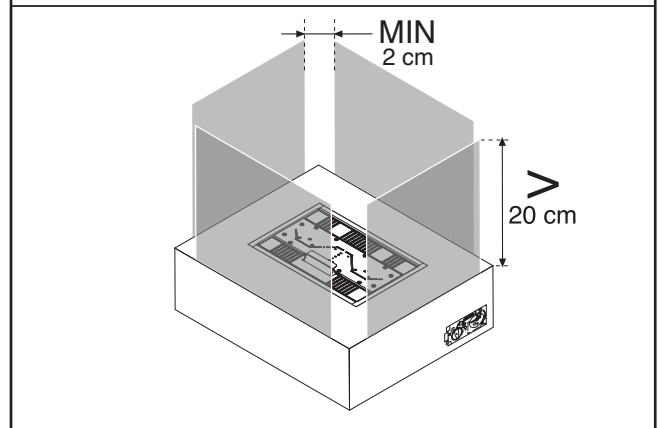
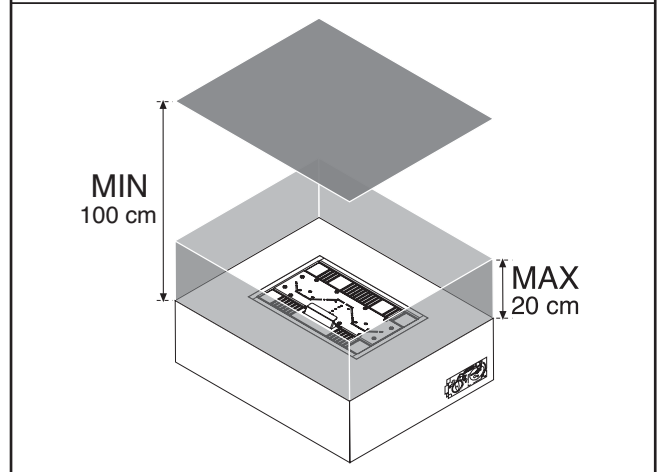
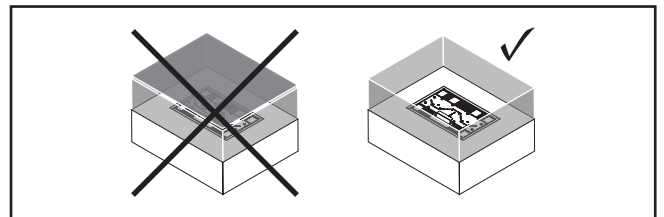
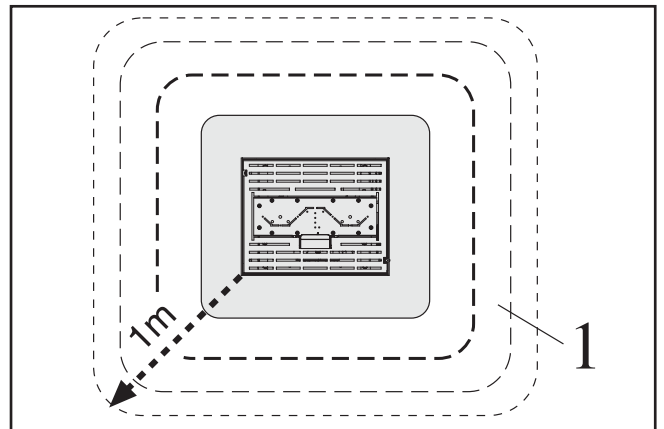
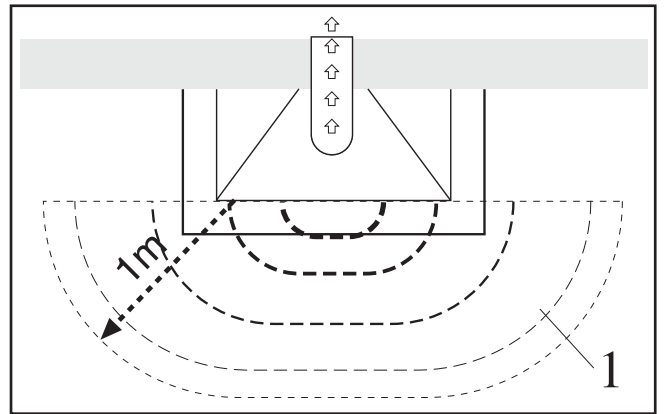
**SAFETY DISTANCES**

**⚠** Maintain a distance of at least 1m (1) between the appliance and objects in combustible or flammable material: wooden furniture and furnishings, ornaments, curtains, etc. Do not approach or put the appliance in direct contact with combustible, heat-sensitive or flammable materials: furniture, beams, ceilings, curtains, etc.

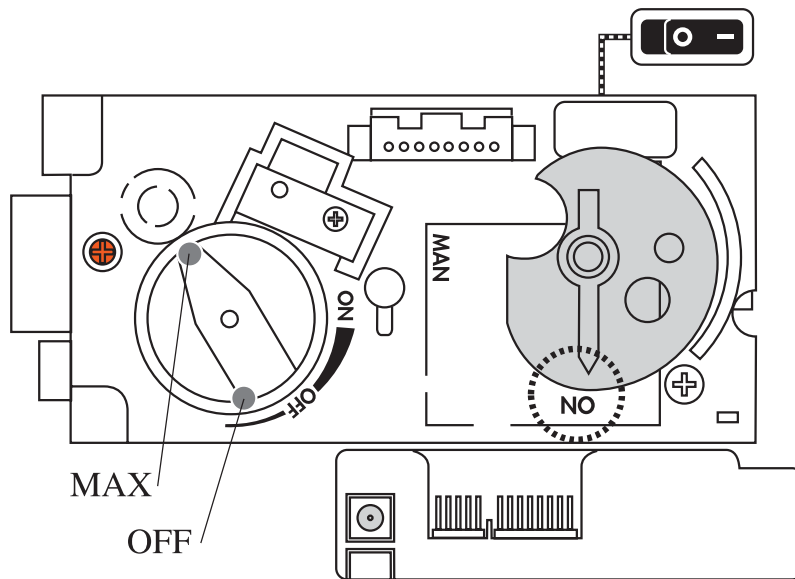
- DO NOT use accessories or components not provided by the Manufacturer for placement as they could create serious danger.
- the side protection (use fireproof materials) can be created with a height of MAX 20 cm if the elements join at the corners. If the elements do not touch and the corners remain open, the height of the guard can be greater than 20 cm.

**⚠** The protection is not a component supplied with the appliance.  
**⚠** The side protection cannot be fixed to the appliance in any way; it must be self-supporting and possibly removable to allow use of a cover that protects the appliance from rain or during periods of non-use.

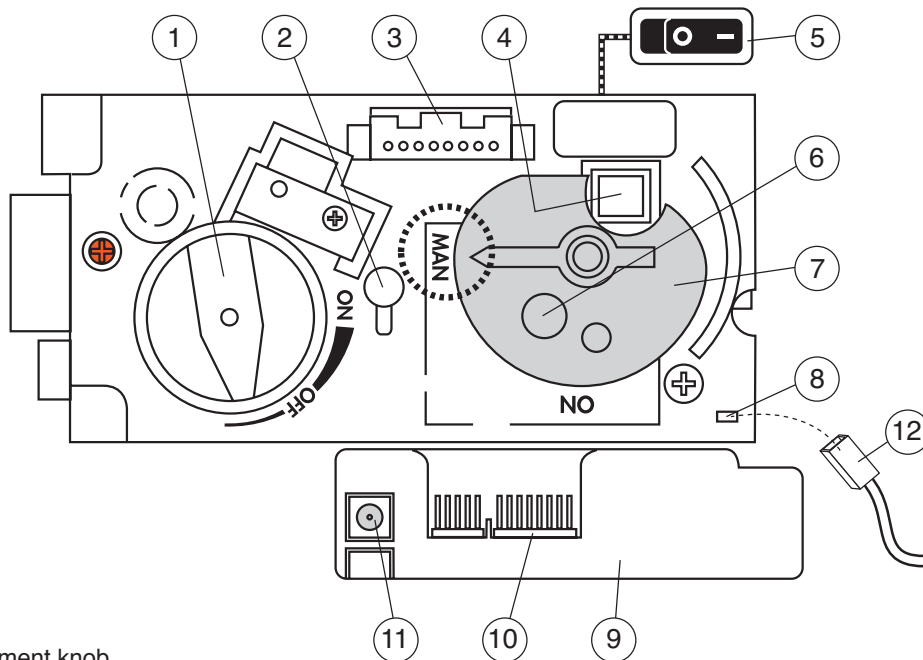
- Do not obstruct the upper part of the appliance to ensure the evacuation of combustion fumes and its correct operation.
- To create a cover (use fireproof materials), it must be positioned at a height of MIN 1m from the burner surface, providing a central hole in the cover of MIN Ø 18 cm to facilitate the evacuation of combustion fumes.



Automatic operation position with REMOTE CONTROL



MANUAL operation position



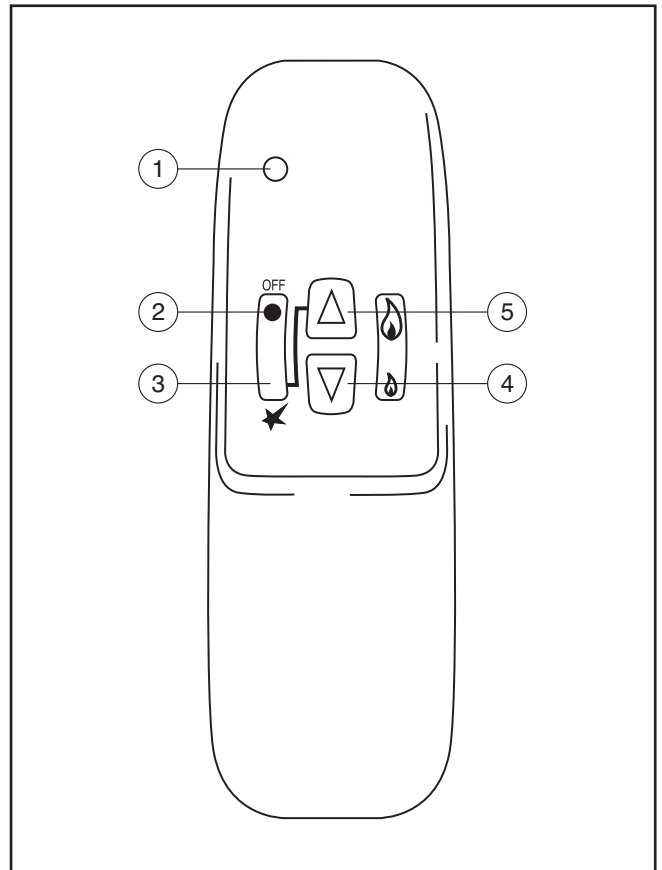
- 1 - Adjustment knob
- 2 - MAX gas adjustment screw
- 3 - Valve Connector/Flame control board
- 4 - Piezoelectric power button (manual)
- 5 - O-1 switch
- 6 - Magnet leg for manual operation
- 7 - Manual intervention position knob
- 8 - Piezoelectric connection cable connector (manual)
- 9 - Flame control board
- 10 - Valve Connector/Flame control board
- 11 - 6V DC power socket
- 12 - Cable to be disconnected from the control unit and connected to position 8

## REMOTE CONTROL

This appliance is equipped with an infra-red remote control, for safety reasons in compliance with current regulations.

**⚠ To switch on the appliance, point the remote control directly at the sensor at A maximum distance of 3m avoiding interference with front light sources or obstacles.**

- 1 - Red LED, Transmission
- 2 - Off
- 3 - On (3 + 5)
- 4 - lower flame
- 5 - flame riser (3 + 5)



Before proceeding with the first ignition, check the following points:

• **ATTENTION! BEFORE TURNING ON THE EQUIPMENT, CAREFULLY READ ALL THE INSTRUCTIONS AND WARNINGS CONTAINED IN THIS BOOKLET.**

- 1) turn on only if all the components have been fixed and are stable
- 2) open the main gas valve that was fitted before the appliance valve
- 3) check the leakage of the gas circuit as far as the appliance valve
- 4) turn on the appliance by turning the main switch to "I"
- 5) make sure the valve knobs are in the correct position (1)

6) switching on the appliance:

- Point the remote control towards the sensor and simultaneously press the "spark" and "UP triangle" keys on the supplied remote control.

⚠ **Aim the remote control directly at the sensor at A maximum distance of 3m avoiding interference with front light sources or obstacles.**

- A beep will signal the start of the start sequence.

7) device adjustment:

- Once switched on, it is possible to choose the power level of the appliance using the remote control.
- Press the "triangle DOWN" button on the remote control to reduce the intensity of the flame.
- Press the "UP triangle + spark" keys to increase the flame intensity.

⚠ **Increasing the intensity of the flame through the use of two keys is a safety measure designed by the Manufacturer to avoid involuntary and sudden flames.**

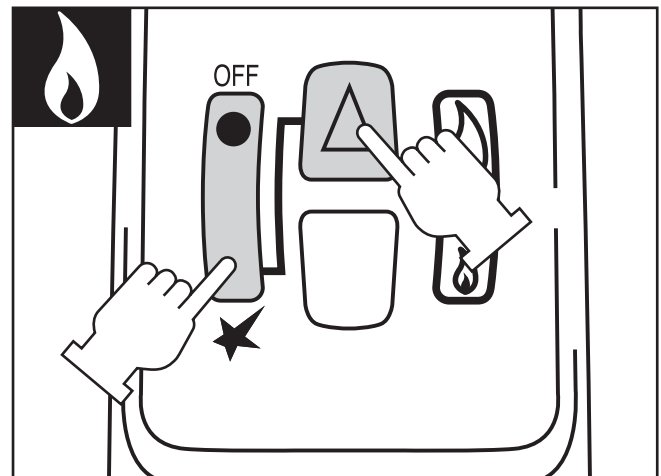
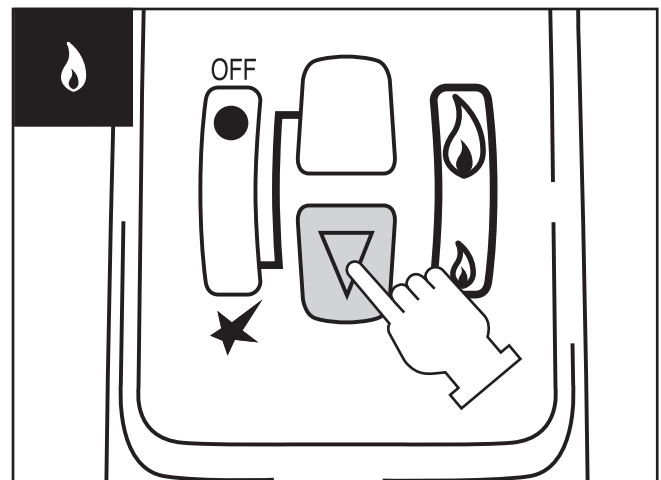
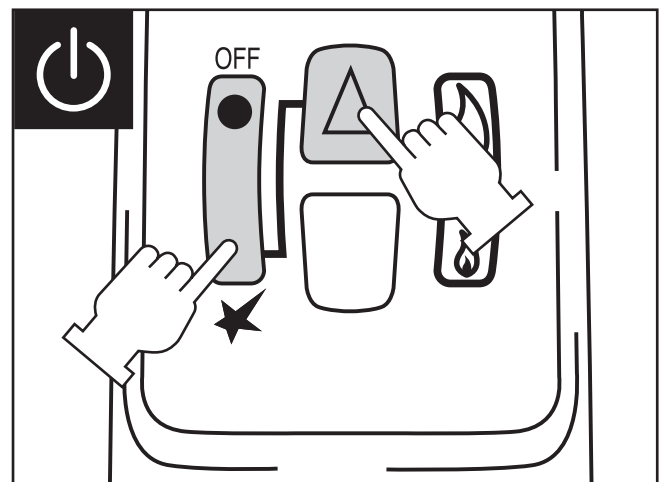
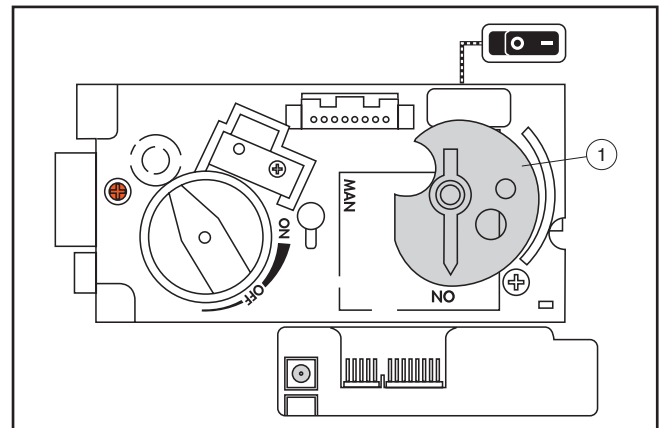
8) at this point check all the automatic phases in sequence:

- presence of spark on pilot burner
- ignition of the two flames on the pilot burner (one for the "thermocouple" safety system and the other for ignition of the main burner flame)
- ignition of the main burner throughout its width at maximum flow rate

NOTE during the first ignition it is probable that the flames on the pilot burner may not ignite rapidly. This is due to the fact that the air present in the gas circuit must first come out completely. Do not force this process but repeat the ignition with remote control also respecting the times of the valve itself.

9) At this point check correct operation of the valve by lowering and raising the flames of the main burner and completely extinguishing the appliance.

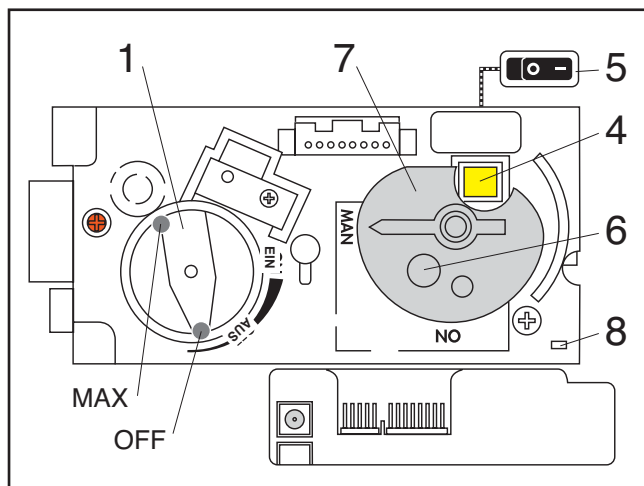
10) The final phase is the furnishing of the firebox with the accessories provided in accordance with the specific instructions attached.



## MANUAL CONTROL (without remote control)

The appliance can also be used in manual mode, in case of:

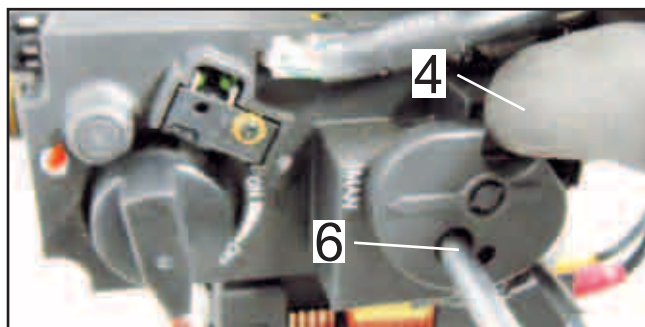
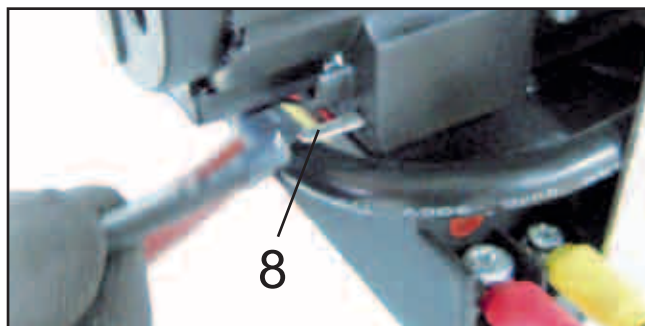
- repair work carried out by authorised technical personnel
- depleted remote control batteries



### Switching on

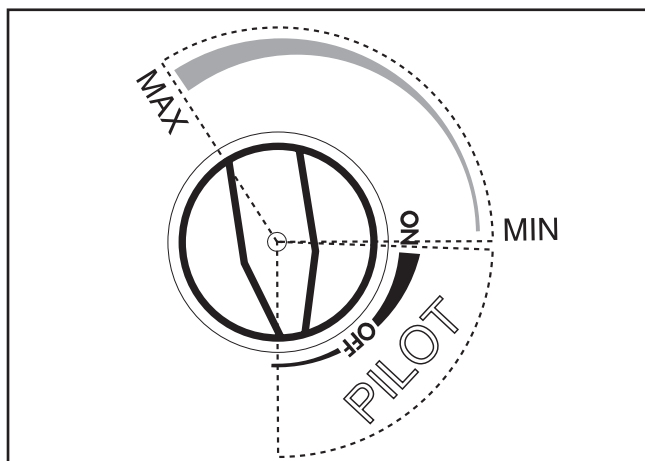
- Open the gas supply valve.
- Turn on the valve unit by setting the switch (5) to "I";
- Set the adjustment knob (1) to "OFF";
- Turn the knob (7) to manual "MAN";
- Disconnect the ignition cable from the rear connection (9) and insert it into the faston (8);
- Insert a screwdriver into the hole (6) and keep the magnet shank pressed;
- Press the piezoelectric power button (4), with the magnet leg pressed, until the pilot flame is lit. Press and hold the Magnet Leg for approximately 10 seconds, to allow adequate heating of the Thermocouple;
- Remove the screwdriver, releasing the magnet shank;
- Turn the knob (7) to automatic "NO";
- Turn the knob (1) from "OFF" to "MAX" as required.

**⚠ In the "OFF" position the pilot flame is not extinguished but remains lit at minimum.**



### Shutdown

- Switch off the appliance: turn the control knob clockwise until it returns to the "PILOT" position.
- To permanently switch off the appliance (prolonged inactivity): turn the control knob clockwise to the "PILOT" position. When this position is reached, press the control knob and turn it to the "OFF" position. Turn off the gas supply valve.



The appliance is already adjusted at the factory as shown on the technical data plate, with the gas distributed in the installation area.

The appliance is not intended to operate with gases other than those specified on the plate, for the gas change it is necessary to request a new burner, specifying the type and pressure of the gas distributed in the installation area.

However, controls and small adjustments on the valve are possible.

### Possible checks

- Valve inlet gas pressure (unscrew screw A with a 3.5mm slotted screwdriver anti-clockwise for 1-2 turns and insert a silicone tube connected to the measuring instrument on the 9mm diameter pressure socket)
- Gas pressure on the main burner at different flow rates (unscrew screw B with 3.5mm slotted screwdriver anti-clockwise 1-2 turns and insert a silicone tube on the 9mm diameter pressure socket).

### Adjustments

- Pressure on the main burner when it is at maximum flow rate (use screw C with 2.5mm slotted screwdriver, clockwise increases pressure)
- Pressure on the main burner when it is at minimum flow rate (use Allen D with 4mm hex wrench, clockwise decreases pressure)
- Gas flow rate on the pilot burner (place knob E in the "MAN" position, insert a 3.5mm slotted screwdriver into hole E exerting force to pierce the protective plastic. Intercept the screw to adjust the gas flow rate on the pilot burner. Clockwise decreases the flow rate).

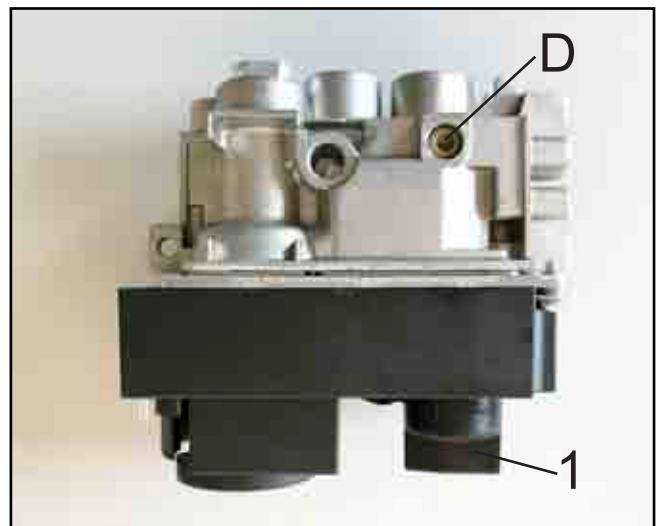
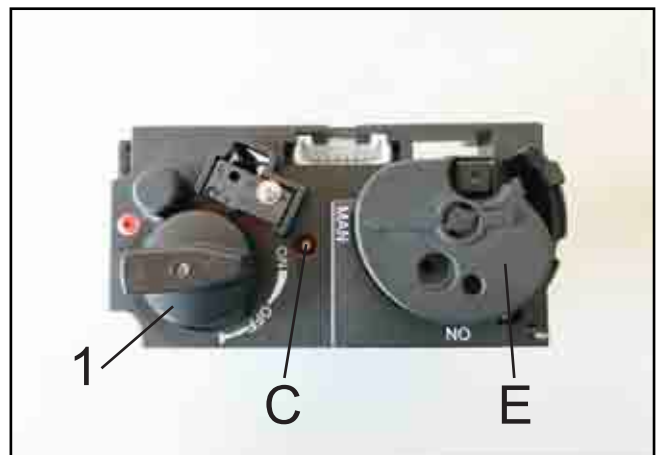
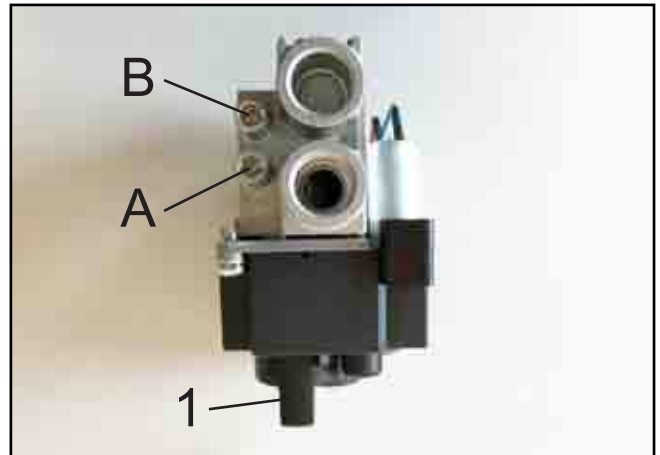
### Flame height adjustments in case of multiple installations

This appliance can be installed in multiple mode alongside several appliances. Obviously different models can have different flame heights.

To try to align the various heights use the screw C with a screwdriver:

- turn on the appliances with a flame at MAX
- turn clockwise to raise the flame
- turn anti-clockwise to lower the flame

**⚠ This type of adjustment was not designed or supported to align all the flames but can help improve perception of the assembly.**



## WOOD OR STONES

The firebox can be furnished:

- without stones or wooden kit
- with a wood kit proposed by the Manufacturer
- with a stone kit proposed by the Manufacturer
- with stones from 15mm to 40mm in marble, stone or river. The stones must be natural without chemical treatments or painted and free from dusty residues.

**⚠ It is not permitted to use stones and wood together on the firebox.**

**⚠ The stones or wood must be arranged as shown in the instructions contained in the packaging of this accessory.**

**⚠ Incorrect or random positioning of the furniture alters the performance of the appliance, the height and the colour of the flame.**

**⚠ Only use embers, ceramic logs and river pebbles supplied with the KIT, do not add other ones and comply with the arrangement indicated by the Manufacturer.**

**⚠ Always use original parts or spare parts supplied by the Manufacturer. Installation must be carried out by personnel authorised by the Manufacturer or by a qualified technician.**

Precautions to be followed before placing the furniture (stones or wood) on the burner surface:

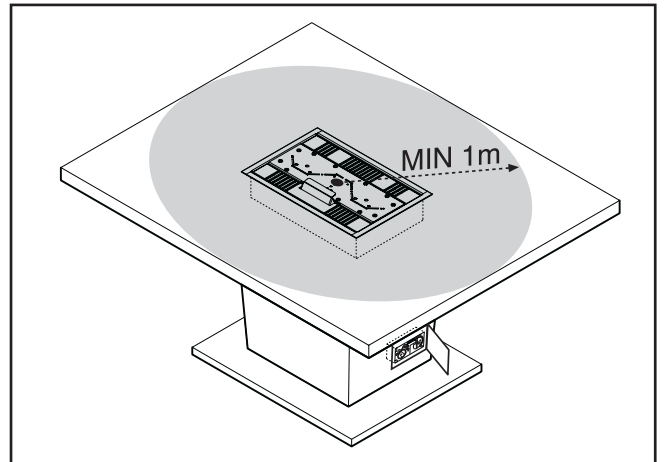
- identify the area relating to the pilot flames.
- ensure that no small parts (dust, stones, wood or embers) cover the flames of the pilot burner.
- respect the positioning of the furniture defined by the Manufacturer and certified by the Approval Body.
- allow the flames of the burner to rise upwards without obstructions that could affect correct functioning of the appliance, dirty the appliance more and therefore require more frequent cleaning than normal.



**TABLE INSTALLATION**

When installing this appliance on a table, comply with the following minimum safety requirements:

- Fix the table to the floor.
- the materials of which the table is made must be resistant to minimum temperatures of 80°C plus ambient temperature: materials that by their nature are considered flammable must be avoided.
- the table must guarantee a safe distance (MIN 1m) between the naked flames and the occupants of the table
- the lower part of the table must be protected from intrusion by objects or animals.
- the lower part of the table must accommodate a valve access door.



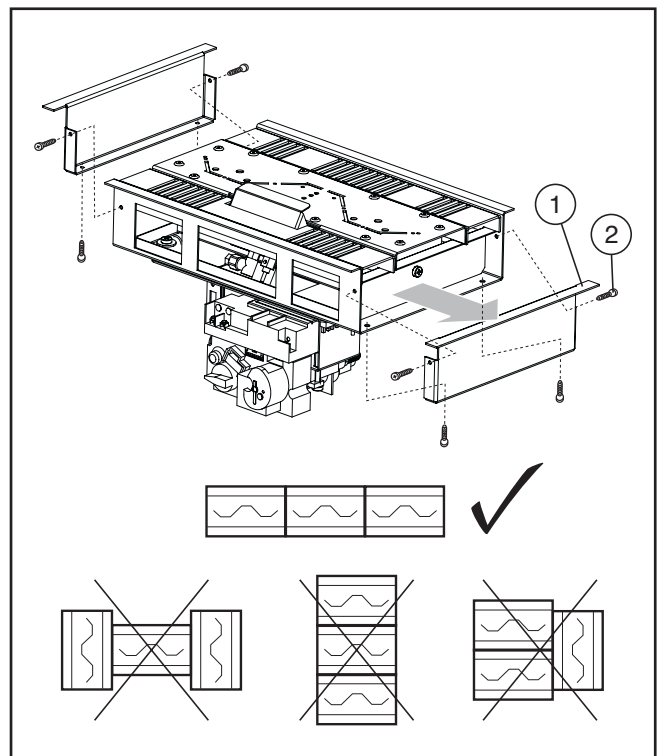
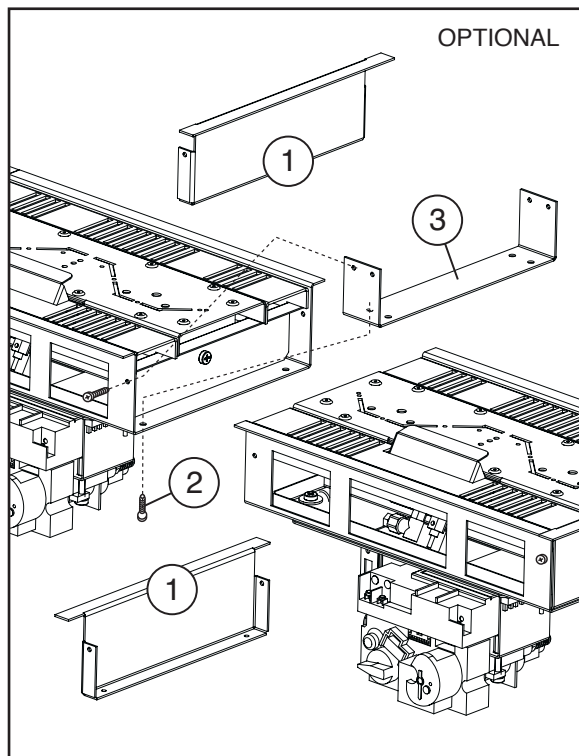
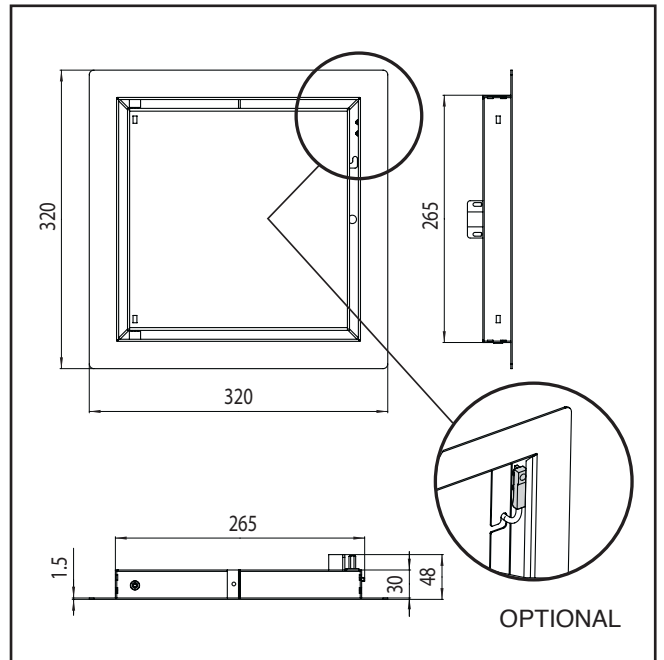
**INSTALLATION OF TWO OR MORE APPLIANCES**

This appliance can be installed in adhesion with other appliances (of the same size or different). This feature creates a continuous flame without detachment between one appliance and another.

It is possible to combine an infinite number of devices (each with its own valve) to compose paths and lengths without limits.

Proceed as follows:

- on the first appliance, remove the screws (2) and the side plate (1), the one in contact side with the second appliance
- on the second appliance, remove the screws (2) and remove the side plate (1), the one in contact side with the first appliance
- fix the bracket (3, optional) to the first and second appliances, reusing the screws (2) for fixing of the side plates (1).













**ITALKERO S.r.l.** . via Lumumba 2 . Zona Ind. Torrazzi . 41122 Modena . Italy . Tel +39 59 2550711 . FAX +39 059 4900500 . [www.italkero.it](http://www.italkero.it)

NOTA: Nel continuo perfezionamento del prodotto, le caratteristiche estetiche e dimensionali, i dati tecnici, gli equipaggiamenti e gli accessori, possono essere soggetti a variazione.

NOTE: Due to ongoing product upgrading, aesthetic and dimensional features, technical details, fittings and accessories could undergo changes and are not binding.

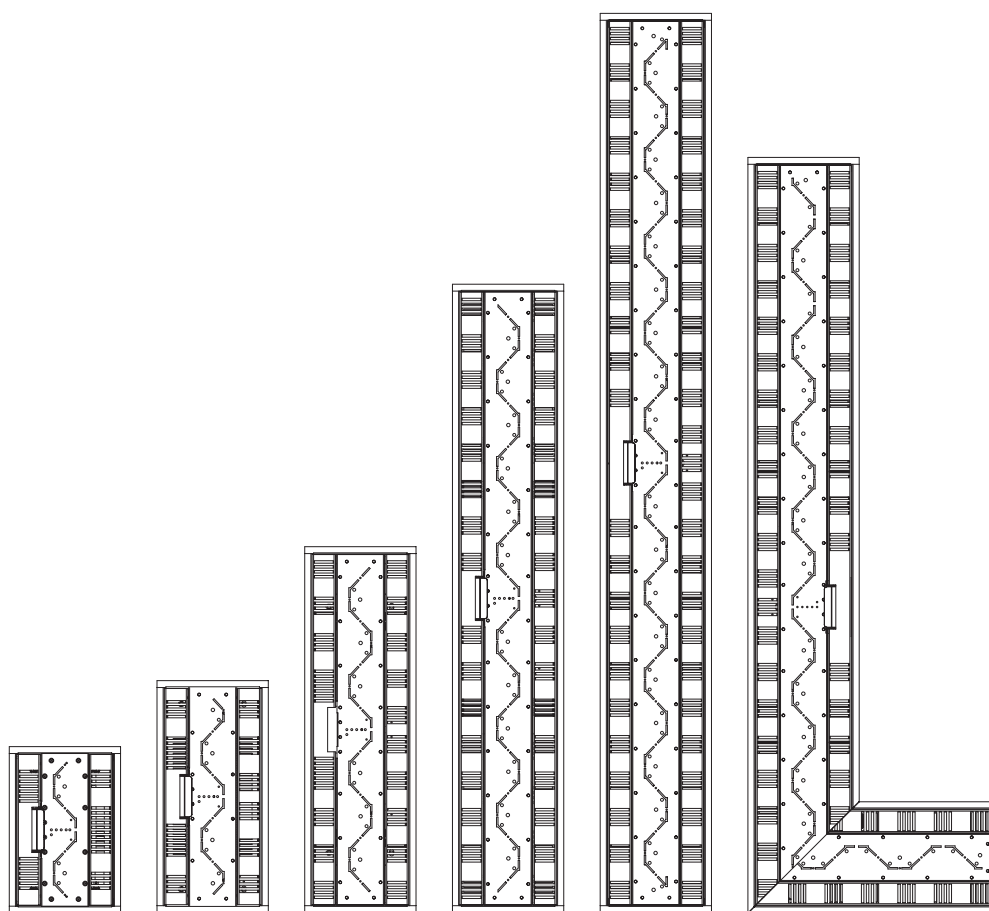
NOTE : En vue de l'amélioration continue des produits, les caractéristiques esthétiques et de taille, les données techniques, l'équipement et les accessoires peuvent être modifiés.

HINWEIS: Im Bestreben unsere Produkte kontinuierlich zu verbessern, können maßbezogene und ästhetische Eigenschaften, technische Daten, Ausrüstungen und Anlagen sowie Zubehörkomponenten Veränderungen unterworfen sein.



# Italkero

*Gas heating*  
**- firebox insert -  
OUTDOOR USE**



## **SNAKE**

**40 - 60 - 80 - 130 - 180 - 180C**

**USER**



0063  
CU3238

## TABLE OF CONTENTS

Warranty	p.	2
Appliance description		2
First ignition		3
Protection		6
Ordinary maintenance		7
Removable parts		8
Extraordinary maintenance		8
Firebox preparation		9
Spare parts		10

*In same parts of the book there are used these symbols:*



**Attention:** it used to underline particular caution or actions.



**Prohibited:** it used to underline the actions that don't half to be executed.

## WARRANTY

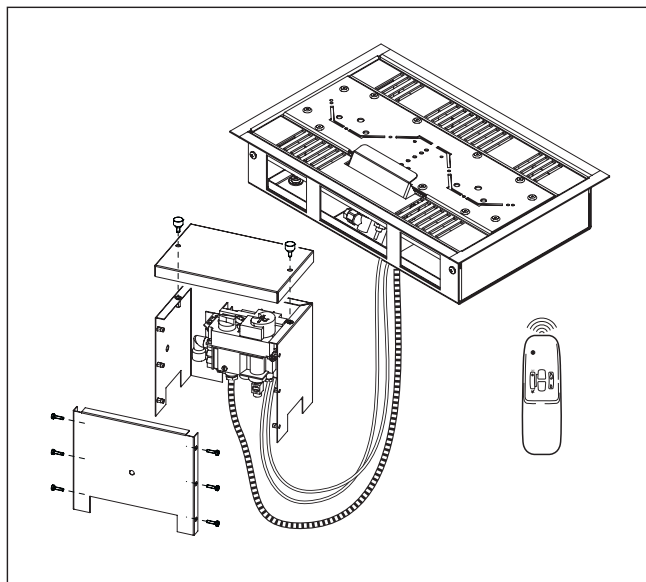
Before contacting the authorised warranty activation service centre, check that:

- the appliance is functional and with all its components installed (possible glass protection, blocks or pebbles, valve housing with door).
- all parts of the appliance can be inspected and therefore without its final decorative coating.
- it is properly connected to gas and electricity (in case of power supply accessory)

## DESCRIPTION OF THE APPLIANCE

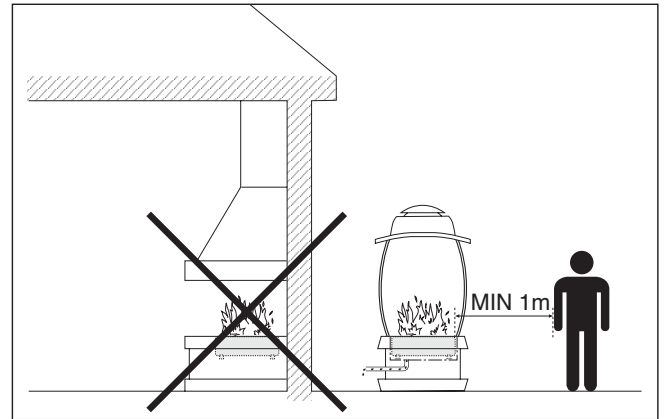
This appliance is for decorative purposes.

This appliance is designed for decorative purposes in compliance with the applicable European standard EN509, for this reason the performance has not been evaluated as the usual appliances for heating.



**BEFORE TURNING ON THE APPLIANCE**

- Make sure that no person is less than 1m from the appliance
- Make sure that nothing is less than 1m from the appliance
- Open the gas tap upstream of the valve
- Make sure that the electrical switch near the valve is in position "I"



**STARTING WITH REMOTE CONTROL**

- Orient the remote control towards the IR sensor
- Simultaneously press the "ignition and high flame" buttons for at least 2" or until hearing a sound (then release the buttons) that will alerts to receiving of the signal and the start of the automatic ignition phase that provides predetermined times to ensure safety:
  - 10" from the start of the spark on the pilot burner, during the period, sounds will be heard at regular intervals of 1"
  - When the flame on the pilot burner ignites, the spark stops igniting (if the flame does not ignite, the flashing period will be 30" after which it will be necessary to retry ignition)
  - 20" from the time the pilot flame strikes the safety thermocouple to obtain ignition of the main burner at maximum flow rate

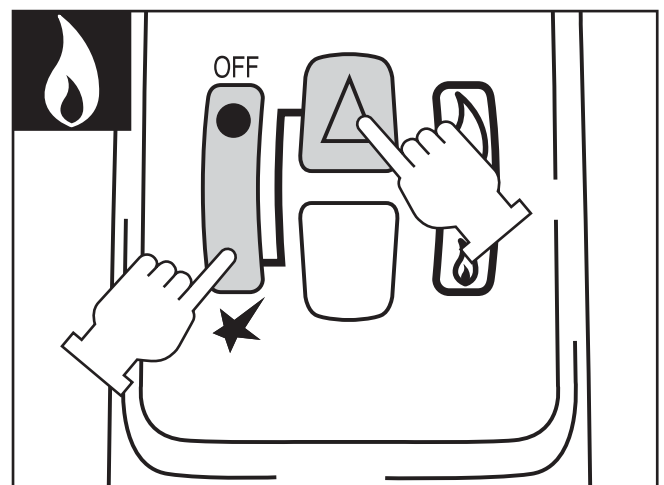
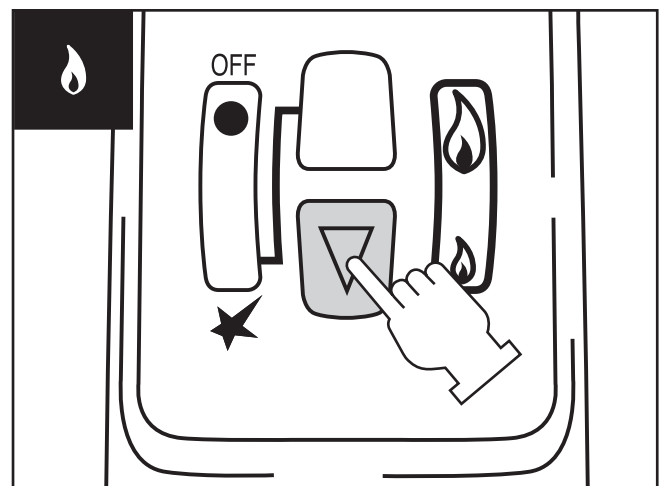
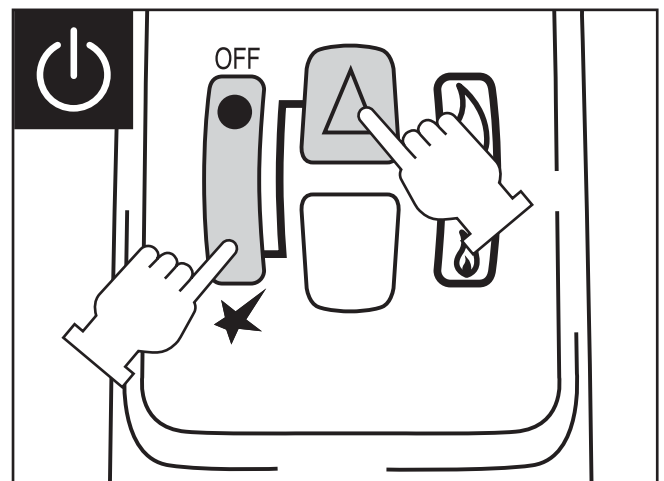
**⚠ WARNING! Not to throw rubbish on or otherwise to disturb the flue bed.**

**Flame adjustment**

This appliance has a remote control (supplied) with the Off buttons and flame increase and decrease; Once switched on, it is possible to choose the power level of the appliance using the remote control.

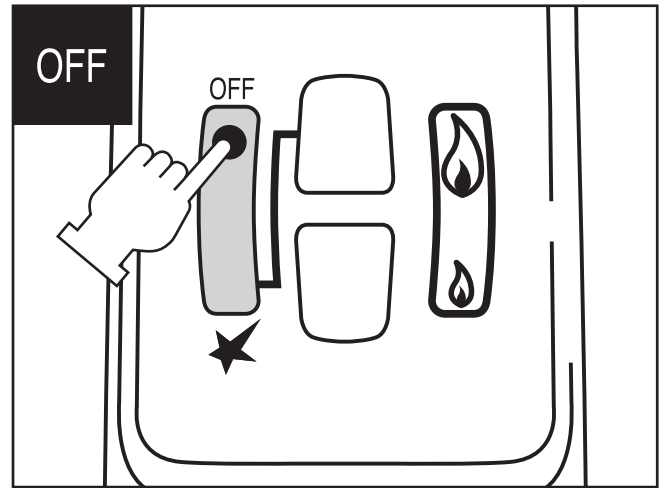
- Press the "triangle DOWN" button on the remote control to reduce the intensity of the flame.
- Press the "UP triangle + spark" keys to increase the flame intensity.

**⚠ Increasing the intensity of the flame through the use of two keys is a safety measure designed by the Manufacturer to avoid involuntary and sudden flames.**



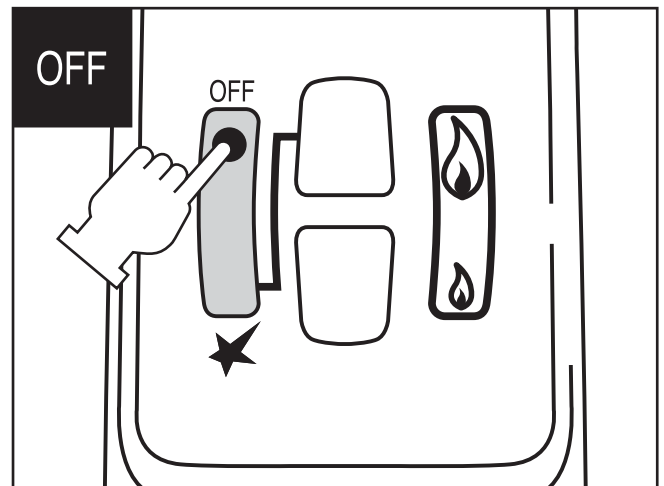
### Switching off the appliance

- Press the “OFF” button on the remote control for a few seconds  
The appliance can be switched off from any heated position.

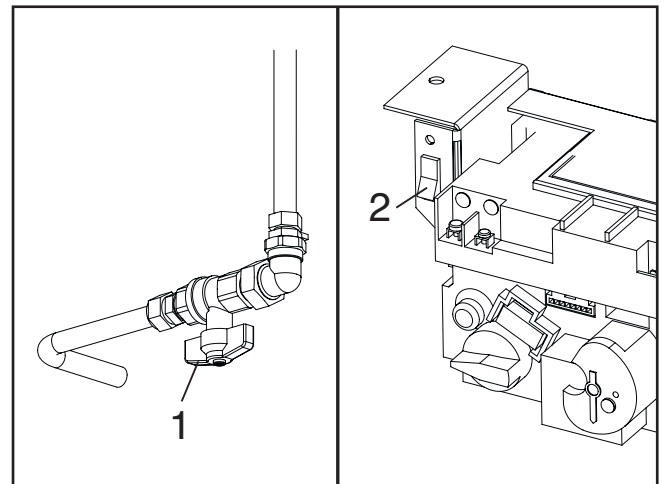


### Switching off the appliance for long periods

- Press the “OFF” button on the remote control for a few seconds  
The appliance can be switched off from any heated position.



- Close the gas valve (1)
- Bring the electrical switch (2) near the valve to position “0” to preserve battery life  
The system is equipped with a safety lock that prevents it from turning on until it is deactivated (deactivation may take a few minutes).
- Close the gas tap upstream of the valve

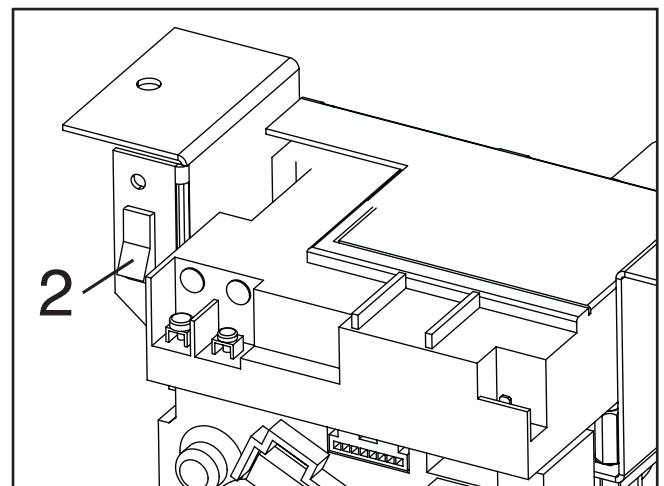


### Non powering

Failure to turn on the appliance may be due to:

- Insufficient gas
- No body spark
- Pilot burner obstructed

**⚠ For quick and complete shutdown in case of danger immediately place the electrical switch (2) in the “0” position.**



## MANUAL MODE

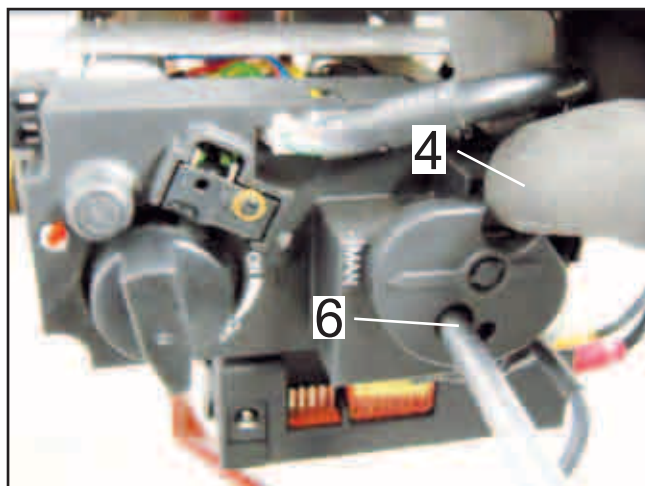
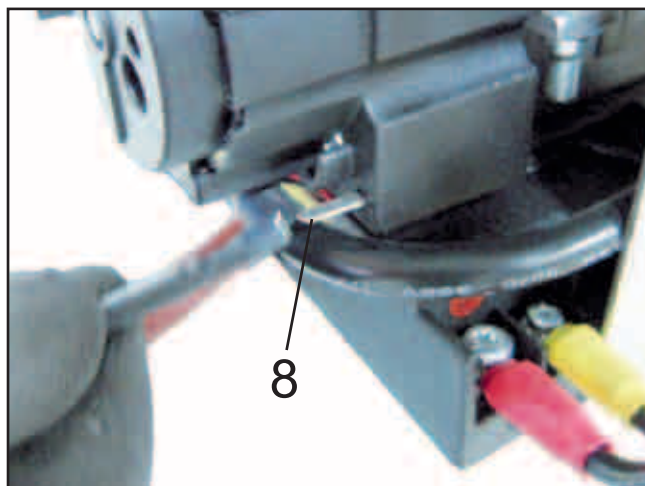
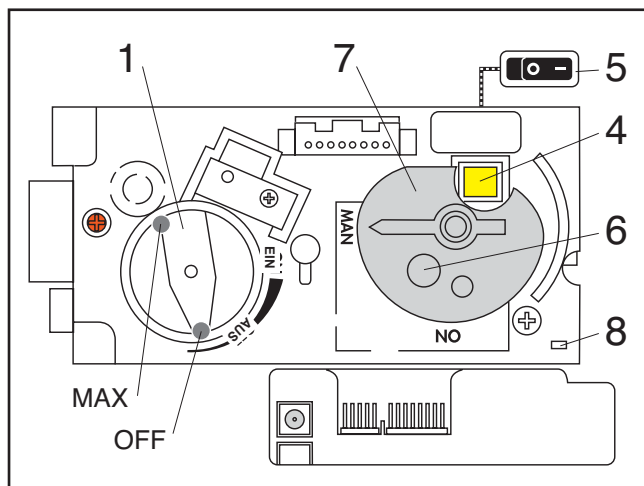
The appliance is designed to work with the remote control, but can also be controlled in manual mode by acting on the gas valve.

Manual mode is recommended in the event of loss of the remote control or during the extraordinary maintenance phases by the Manufacturer's authorised technical assistance.

**⚠ The device in manual mode, requires some operations to be performed on the valve, before its use.**

### Switching on

- Open the gas supply valve.
- Turn on the valve unit by setting the switch (5) to "I";
- Set the adjustment knob (1) to "OFF";
- Turn the knob (7) to manual "MAN";
- Disconnect the ignition cable from the rear connection (9) and insert it into the faston (8);
- Insert a screwdriver into the hole (6) and keep the magnet shank pressed;
- Press the piezoelectric power button (4), with the magnet leg pressed, until the pilot flame is lit. Press and hold the Magnet Leg for approximately 10 seconds, to allow adequate heating of the Thermocouple;
- Remove the screwdriver, releasing the magnet shank;
- Turn the knob (7) to automatic "NO";
- Turn the knob (1) from "OFF" to "MAX" as required.



## PROTECTION

For this type of appliance it is necessary to respect the warnings of danger of naked flames, for persons such as children or disabled people who are able to approach without the slightest precaution.

The protection (use fireproof materials) can be created:

- with a height of MAX 20 cm with the elements joining at the edges.

- more than 20 cm with the elements not touching at the corners (open corners), the higher the protection the greater the distance between the elements in the open corners must be.

**⚠ The protection is not a component supplied with the appliance.**

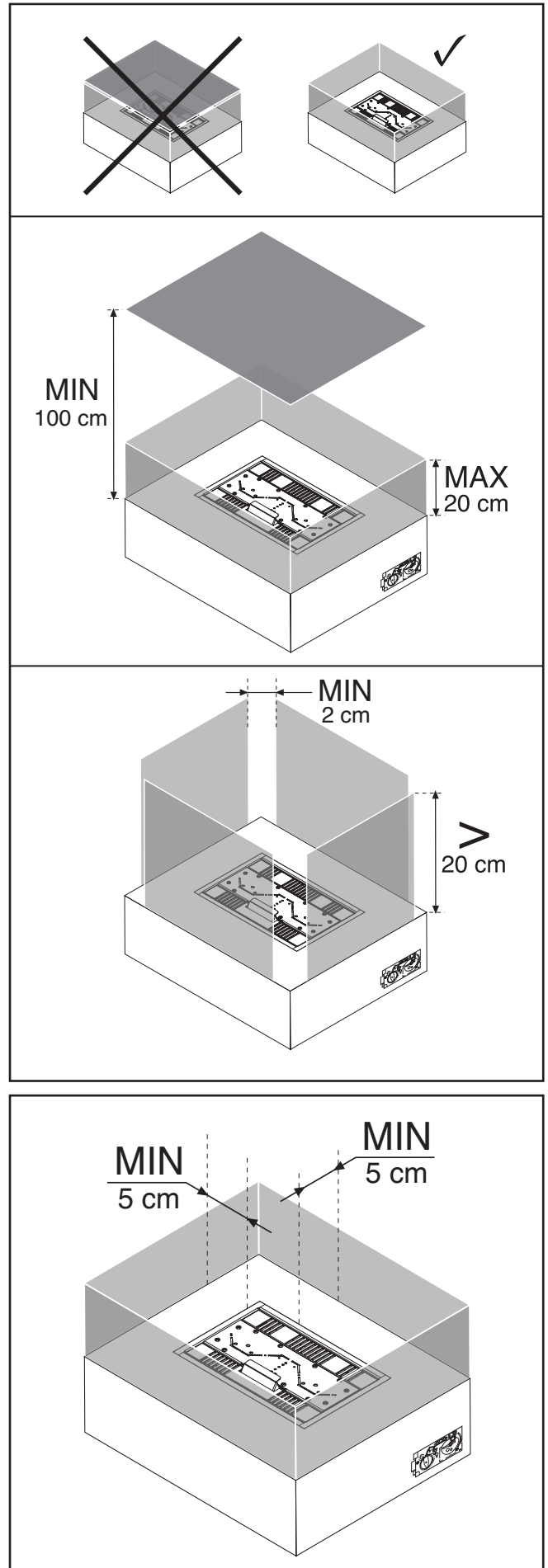
**⚠ The protection cannot be fixed to the appliance in any way. It must be self-supporting and removable to allow easy access to the appliance and to facilitate the use of a protective cover, used during long periods of use of the appliance.**

**⚠ To create the glass protection, use only the tempered type and with A minimum thickness of 4mm.**

- do NOT wear the protection until touching the appliance. Always maintain a distance of MIN 5 cm between the protection and the outer edge of the appliance.

- Do not obstruct the upper part of the appliance to ensure the evacuation of combustion fumes and its correct operation.

To create a cover (use fireproof materials), it must be positioned at a height of MIN 1m from the burner surface, providing a central hole in the cover of MIN  $\varnothing$  18 cm to facilitate the evacuation of combustion fumes.



**⚠ Before carrying out any type of maintenance, make sure that the gas supply and/or burner valves are closed.**

Maintenance concerns verification of the integrity and cleaning of all the parts that compose the appliance. In case of wear or breakage, use only original spare parts of the Manufacturer.

The Manufacturer cannot be held liable for any damage to persons or property resulting from this or any other tampering. The appliance must therefore only be assembled by the Manufacturer and ordered by the user directly for the type of gas that will be used for operation.

### Appliance

Proper ordinary maintenance is necessary for correct operation of the appliance:

- if the appliance is used with battery power, these must be checked/replaced at least once a year. Alkaline batteries, if not used for long periods, tend to generate corrosive liquids that can damage certain components (see wiring diagram). To eliminate this problem, it is advisable to purchase the power supply kit accessory.
- for all cleaning operations on the appliance and accessories, do not use steam cleaners to avoid compromising their aesthetic and functional appearance.

### Replacing the cylinder

Replacement of the gas cylinder must take place in open or highly ventilated spaces, away from any source of flames or sparks such as: candles, cigarettes or other appliances that can produce flames or sparks.

- 1 - Make sure the appliance is completely cold;
- 2 - Remove the cylinder from the cylinder holder compartment;
- 3 - Disconnect the pressure regulator from the cylinder valve;
- 4 - Check the efficiency status of the gas supply pipe visually (presence of cracks) and checking the stamped expiry date;
- 5 - Check the efficiency status of the regulator, checking the presence and status of the gas seal (it is advisable to replace it at each cylinder change);
- 6 - Connect the new cylinder and store it in the appropriate compartment;
- 7 - Check the perfect tightness of the gas circuit with soapy water or specific products;
- 8 - Replace the cylinder in the compartment.

**⚠ After replacing the cylinder, initial attempts at ignition could occur with longer times due to the possible presence of air in the pipe. Do not obstruct the ventilation slots in the cylinder compartment.**

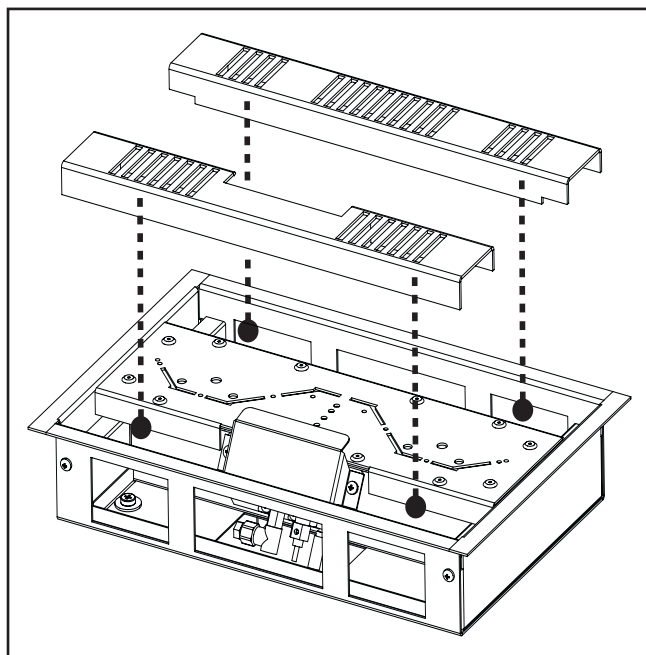


## REMOVABLE PARTS

The appliance includes removable parts without the use of tools. They are essential components for safe operation of the appliance. As such, following installation it is necessary to take the utmost care in positioning them in order to avoid damaging them.

### Removable parts:

- are the accessories located on the burner such as ceramic wood, fibre-ceramic embers or stones. Their arrangement on the burner surface is indicated in the instructions of the accessory and cannot be modified as desired by the user or installer.
- are the grids on the burner surface. These are essential for the correct air supply to the burners and their location is unique. If for any reason they are removed, they must be repositioned correctly before using the appliance.



## EXTRAORDINARY MAINTENANCE

As the firebox is open, dust and other foreign matter may be deposited on it. In this case, extraordinary maintenance will be required to clean the appliance.

Before beginning, make sure that:

- the appliance has been off for at least one hour
- the main electrical switch is in position "0"
- the gas tap upstream of the valve is closed
- Always use gloves and a mask to move the firebox furniture (wood, embers or stones)

Proceed as follows:

**⚠ All cleaning operations must be carried out being sure not to damage or scratch any of the painted surfaces.**

- remove the firebox furniture paying close attention to the fragility of the individual pieces.
- remove any debris accumulated on the firebox.
- clean until dry the individual ceramic pieces with a brush.
- clean until dry the firebox (burner area and grids) with a brush.
- reposition the firebox furniture in the same order as before (see accessory instructions).

**⚠ For all cleaning operations on appliance and accessories, do not use steam cleaners to avoid compromising their aesthetic and functional appearance.**



The firebox can be furnished:

- without stones or wooden kit
- with a wood kit proposed by the Manufacturer
- with a stone kit proposed by the Manufacturer
- with stones not listed with dimensions from 15mm to 40mm, in marble, stone or river. The stones must be natural without chemical treatments or painted and free from dusty residues.

**⚠ It is not permitted to use stones and wood together on the firebox.**

**⚠ The stones or wood must be arranged as shown in the instructions contained in the packaging of this accessory.**

**⚠ Incorrect or random positioning of the furniture alters the performance of the appliance, the height and the colour of the flame.**

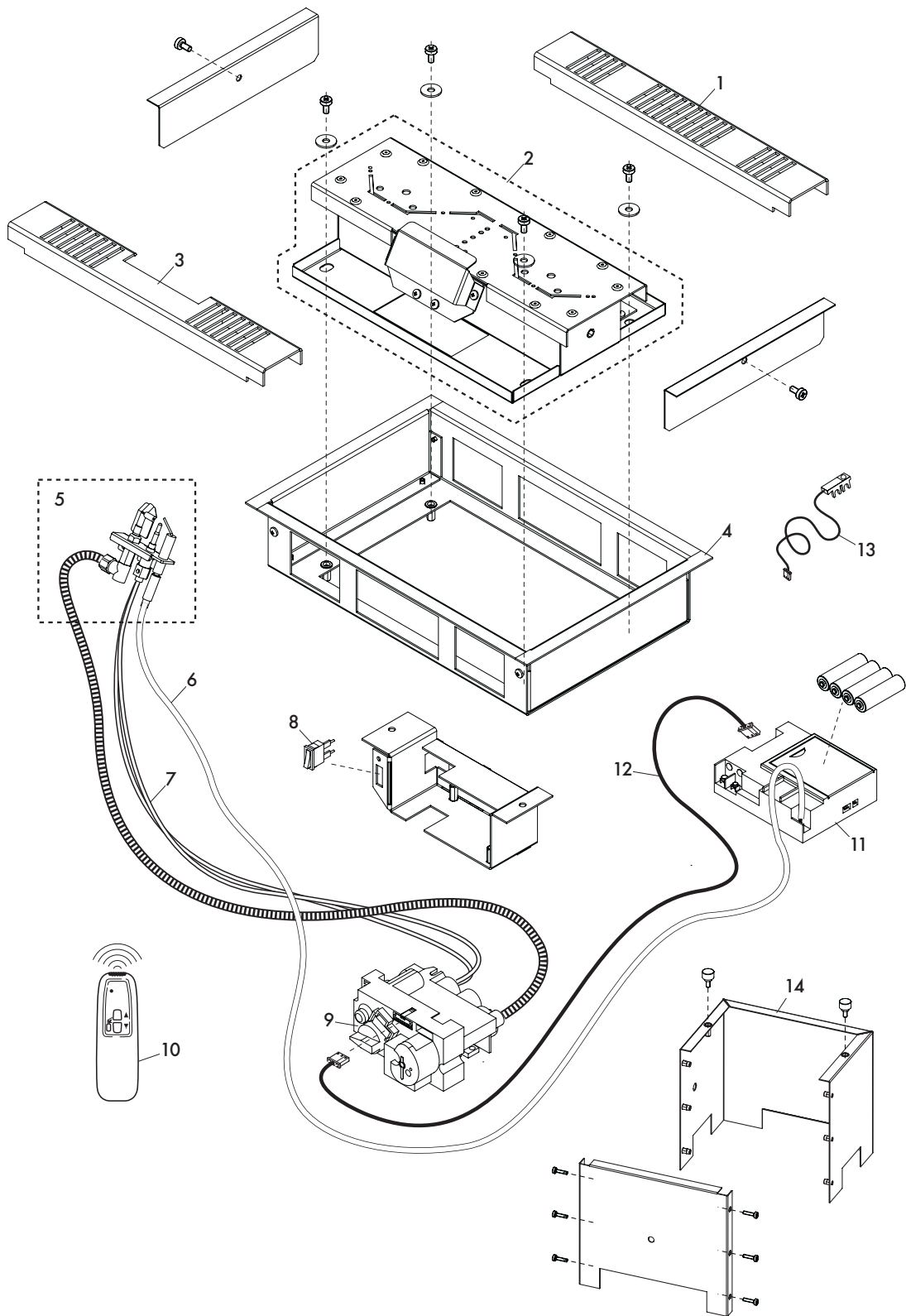
**⚠ Only use embers, ceramic logs and river pebbles supplied with the KIT, do not add other ones and comply with the arrangement indicated by the Manufacturer.**

**⚠ Always use original parts or spare parts supplied by the Manufacturer. Installation must be carried out by personnel authorised by the Manufacturer or by a qualified technician.**



## SPARE PARTS

description	40	60	80	130	180	180C
1 Burner grate (stainless steel)	80011365 00	80011367 00	80011369 00	80011371 00	80011373 00	80011419 00
2 Gr. Methane burner (stainless steel)	80011408 00	80011410 00	80011412 00	80011414 00	80011416 00	80011426 00
2 Gr. LPG burner (stainless steel)	80011409 00	80011411 00	80011413 00	80011415 00	80011417 00	80011427 00
3 Burner grate (stainless steel)	80011375 00	80011377 00	80011379 00	80011381 00	80011383 00	80011421 00
4 Burner frame (stainless steel)	80011385 00	80011387 00	80011389 00	80011391 00	80011393 00	80011423 00
5 Gr. Natural gas ignition			80011404 00			
5 Gr. LPG power on			80011405 00			
6 Ignition cable			80011406 00			
7 Thermocouple			80011145 00			
8 On/Off Switch			80011148 00			
9 Gas valve			80011149 00			
10 Std remote control			80011038 00			
11 Control unit			80011087 00			
12 Cable from board to valve			80011259 00			
13 Infra-red sensor			80011294 00			
14 Protective cover			80011432 00			





**ITALKERO S.r.l.** . via Lumumba 2 . Zona Ind. Torrazzi . 41122 Modena . Italy . Tel +39 59 2550711 . FAX +39 059 4900500 . [www.italkero.it](http://www.italkero.it)

NOTA: Nel continuo perfezionamento del prodotto, le caratteristiche estetiche e dimensionali, i dati tecnici, gli equipaggiamenti e gli accessori, possono essere soggetti a variazione.

NOTE: Due to ongoing product upgrading, aesthetic and dimensional features, technical details, fittings and accessories could undergo changes and are not binding.

NOTE : En vue de l'amélioration continue des produits, les caractéristiques esthétiques et de taille, les données techniques, l'équipement et les accessoires peuvent être modifiés.

HINWEIS: Im Bestreben unsere Produkte kontinuierlich zu verbessern, können maßbezogene und ästhetische Eigenschaften, technische Daten, Ausrüstungen und Anlagen sowie Zubehörkomponenten Veränderungen unterworfen sein.