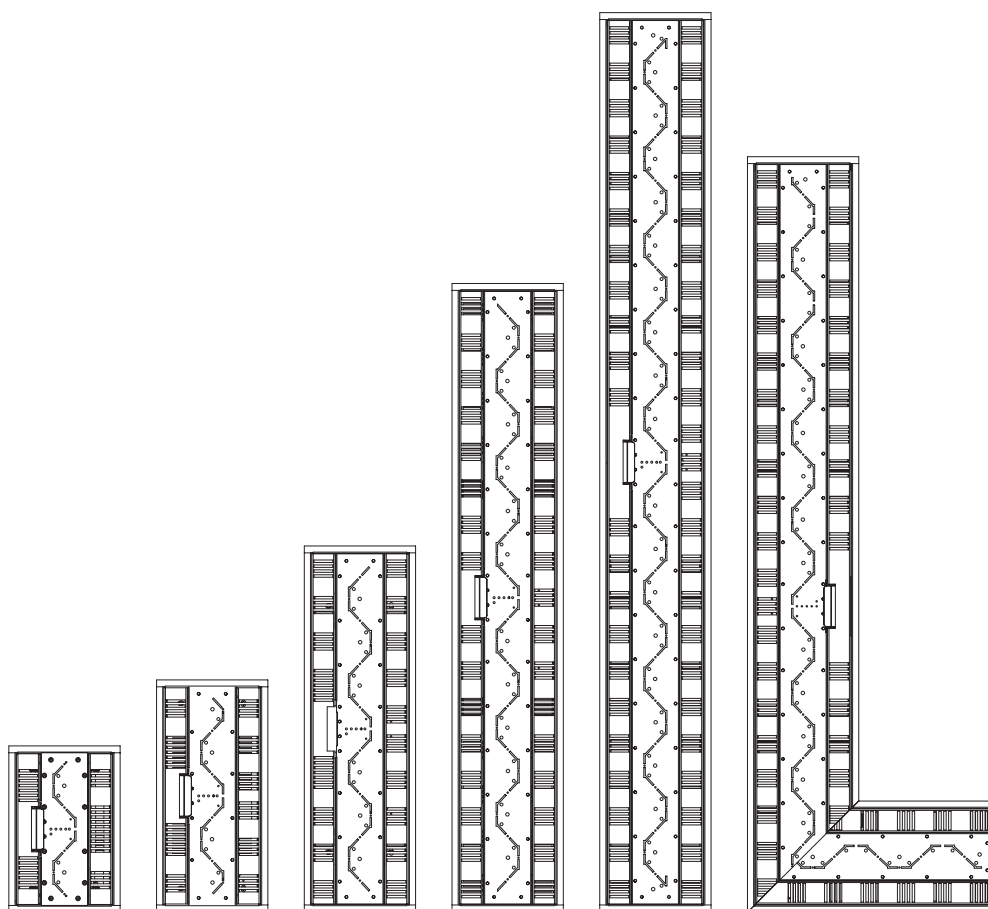




Italkero

Gas heating
**- firebox insert -
INDOOR USE**



SNAKE

40 - 60 - 80 - 130 - 180 - 180C

**INSTALLATION and
MAINTENANCE**



0063
CU3238

COMPLIANCE

Our equipment is conforming with:

- Regulations (UE) 2016/426 (GAR)
- Electromagnetic Compatibility Directive 2014/30/UE
- low Voltage Directive 2014/35/UE
- Regulations RAEE 2019/19/UE



RANGE

	40	60	80	130	180	180C
INDOOR	SI05A0 M0000	SI07A0 M0000	SI09A0 M0000	SI13A0 M0000	SI18A0 M0000	SI18A0 MCD00

ACCESSORIES

Gas supply valve KIT

Electrical power supply KIT

Wood KIT

Stone KIT

Sheet metal cover (painted stainless steel)

Connection cable for smoke extractor

Wall control (wired)

Sheet metal KIT to connect two appliances (on the short side)

Dear Technician,

You are fortunate to have available an appliance capable of ensuring maximum and lasting aesthetic well-being ensuring high reliability, efficiency, quality and safety

With this manual our intention is to provide you with the information we consider necessary for correct and easier installation of the appliance, adding to your proven expertise and technical expertise.

Enjoy working with the appliance and thank you again.

The Manufacturer

WARRANTY

Before contacting the authorised warranty activation service center, check that:

- the appliance is functional and with all its components installed (possible glass protection, blocks or pebbles, valve housing with door, suction hood, pipe and fume exhaust end).
- all parts of the appliance can be inspected and therefore without its final decorative coating.
- it is properly connected to gas and electricity (in case of power supply accessory)

WORLDWIDE

Manufacturer warrants compliance of the manufacturing proceeding to EC regulations applicable to products and in force at the moment. Manufacturer warrants product free from defects in materials and workmanship. This appliance benefits of statutory warranty only if it is fitted in accordance with the Manufacturer's instructions

FOR EUROPEAN UNION ONLY

The product benefits from the European 2-year warranty throughout the product, including the electronic components; with the exception of crystals, doors, interior and general decoration, all pieces that are consumable or subject to deterioration.

TABLE OF CONTENTS

General warnings	5
Basic safety rules	5
Description of the appliance	6
Identification	6
Pre-installation	7
- types of gas	7
- electrical connection	7
- gas connection	8
- compliance with the Standards	9
Structure	11
Receiving the product	12
Dimensions and weights	13
Installation	14
- fixing	14
- housing compartment	15
- combustion fume exhaust	15
- flue	16
- fume exhaust	17
- safety distances	18
Commands	19
First ignition	21
Adjustments	23
Wood or stones	24
Special installations	25
Useful information	26

In same parts of the book there are used these symbols:





Attention: it used to underline particular caution or actions.




Prohibited: it used to underline the actions that don't half to be executed.

GENERAL WARNINGS


 After removing the packaging ensure the integrity and completeness of the contents. In case of non-compliance, contact the Agency that sold the appliance.


 Installation of the appliance must be carried out by a company authorised in accordance with the Law. At the end of the work, it must issue to the owner the declaration of conformity of installation carried out in a workmanlike manner, that is in compliance with the current Standards and the indications provided by the Manufacturer in the manual for the installer that is supplied with the product


 The appliance is designed for the use intended by the Manufacturer for which it was manufactured. Any contractual and non-contractual liability of the Manufacturer for damage caused to persons, animals or property, due to errors in installation, adjustment and maintenance or improper use of the appliance is excluded.


In the case of non-use for a lengthy period:


- turn the main switch of the appliance to “off”;
- turn the main switch of the system, if present, to “off” or disconnect the plug from the power socket if present;
- remove the batteries from the control unit on the appliance;
- turn off the gas valve.

 This manual is an integral part of the appliance and must therefore be stored carefully and must ALWAYS accompany the appliance even if it is sold to another owner or user or transferred to another system.

 In case of damage or loss, request another copy from the Technical Assistance Service of the Local Manufacturer.


 This appliance is equipped with a fire bed with embers and ceramic blocks containing refractory ceramic fiber, consisting of artificial fibers of vitreous silicate. It is therefore advisable to minimise the release of dust during handling of these materials. Prolonged exposure to these materials may cause irritation to the eyes, skin and respiratory system. In case of replacement of one of the components of the embers or blocks, it is advisable to seal the removed parts in a bag and to take them to a waste disposal centre.


 **ATTENTION! BEFORE TURNING ON THE APPLIANCE, CAREFULLY READ ALL THE INSTRUCTIONS AND WARNINGS CONTAINED IN THIS MANUAL.**

 The appliance can be used indoors in both domestic and commercial environments.

BASIC SAFETY RULES


We remind you that the use of products that use fuels and electricity involves compliance with a number of basic safety rules such as:


 Children and unassisted disabled persons are prohibited from using the appliance.

 It is forbidden to operate electrical devices or appliances such as switches, appliances, etc. if there is an odour of fuel or of combustion fumes or unburnt substances.


In this case:

- ventilate the room by opening doors and windows;
- close the fuel shut-off device;
- promptly involve the Manufacturer's Technical Assistance Service or professionally qualified personnel.

 Any cleaning operation before complete cooling of the appliance is prohibited, therefore disconnect the power supply by turning the main switch of the system to “OFF” or unplug (if present).

 It is forbidden to pull, detach or twist the electrical cables leaving the appliance even if it is disconnected from the mains power supply.

It is forbidden to place on the appliance objects such as towels, dishcloths, doilies, etc. that could cause malfunctions or even danger.

 It is forbidden to disperse, discard or leave within reach of children the packaging material (cardboard, staples, plastic bags, etc.) as it can be a potential source of danger and pollution.

DESCRIPTION OF THE APPLIANCE

This appliance is for decorative purposes.

This appliance is designed for decorative purposes in compliance with the applicable European standard EN509, for this reason the performance has not been evaluated as the usual appliances for heating.

IDENTIFICATION

The appliance can be identified by:

- Packaging label

it shows the name of the product, the code, the serial number and the type of gas used.

- the Technical Plate

it shows the serial number, the model and the main technical-performance data.

- The gas fitting plate

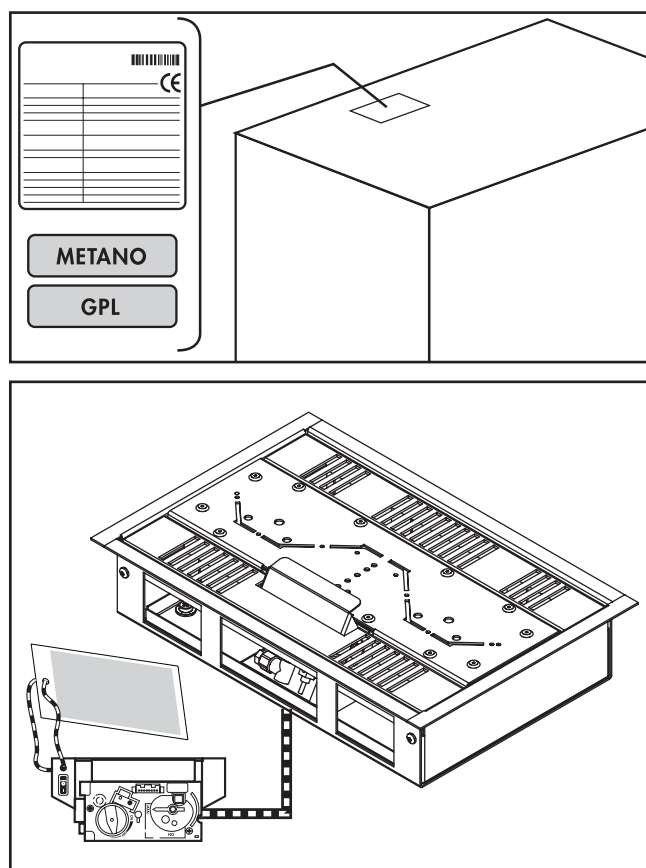
It displays the name of the gas for which the appliance has been set-up and adjusted.

Any type of tampering for its operation with another type of gas is to be considered dangerous and the Manufacturer cannot be held liable for any damage to persons or property.

Tampering with any parts of the appliance or components will result in the immediate loss of all warranty rights offered by legal obligations.

! Spare parts and/or technical interventions require exact identification of the model of equipment for which they are intended.

Tampering with, the removal or absence of the Technical Plate or anything else will impede safe identification of the product making any installation or maintenance operation difficult.



TYPES OF GAS

Before proceeding with installation, check that the data on the label of the appliance corresponds to the type and pressure of the gas supplied.

Gas installation and connection must be carried out by qualified personnel, in full compliance with the applicable Standards.

Make sure that the gas inlet duct has the appropriate flow rate and that it has a shut-off valve near the appliance and is easy to access.

category	3P	3B/P	3+	2E	2H	2E(R)	2Er
GAS	Propane	Butane - Propane	Butane - Propane	Methane	Methane	Methane	Methane

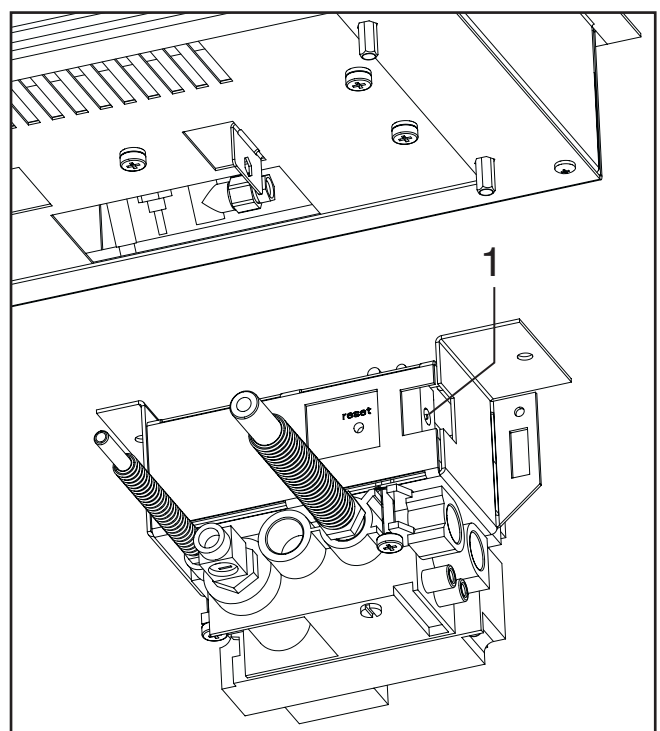
ELECTRICAL CONNECTION

The appliance is always supplied ready to operate with 4 x 1.5VDC AA batteries so it does not require connection to the mains.

The power supply accessory allows the appliance to operate with 230VAC mains voltage (1).

In this case it will be necessary to have an electrical outlet within a radius of 1.5 meters.

⚠ If this accessory is used, the batteries are automatically excluded and it is therefore necessary to remove them, to avoid their inactivity causing the release of liquids and damage to the control board.



GAS CONNECTION

The appliance is equipped with a table that uniquely identifies it.

paste here
adhesive plate

	gas	40	60	80	130	180	180C		
Rated power (p.c.i.)	NAT	8.30	10.00		12.50		15.00	kW	
	LPG	8.30	10.00		12.50		15.00	kW	
Number of main burner injectors		1	1		2		2	no.	
Main burner injector diameter	NAT	2.50	2.90		2.30		2.50	mm	
	LPG	1.45	1.60		1.25		1.40	mm	
Pilot burner injector	NAT	0.35							mm
	LPG	0.25							mm
Gas pipe diameter		1/2" M/F							mm

The gas connection must be created with a metal pipe directly on the gas valve.

COMPLIANCE WITH THE STANDARDS

For installation of this appliance it is always necessary to comply with the rules in force in the country in which it is to be used.

Elements to be respected for GAS CONNECTION:

 **For LPG appliances, all rooms with a floor below the external pedestrian floor or communicating with this type of environment are excluded.**

- Pipe size with reference to the thermal flow rate of the appliance.
- The positioning of the gas pipes must generally allow inspectability and maintenance at any time in the event of malfunctions.

NATURAL GAS · STEEL PIPE							
flow rate by volume (m ³ /h at 15°C) with density 0.6 with a pressure loss of 1.0mbar							
Threading (inches)	3/8	1/2	3/4	1	1 - 1/4	1 - 1/2	2
Inner diameter (mm)	13.2	16.7	22.5	27.9	36.6	42.5	53.9
Thickness (mm)	2	2.3	2.3	2.9	2.9	2.9	3.2
pipe length (m)	flow rate volume (m ³ /h)						
2	3.16	5.92	13.11	23.26	47.97	71.46	-
4	2.15	4.03	8.92	15.83	32.64	48.62	91.63
8	1.46	2.74	6.07	10.77	22.21	33.08	62.35
10	1.29	2.42	5.36	9.51	19.62	29.23	55.08
15	1.03	1.93	4.28	7.59	15.66	23.33	43.97
20	0.88	1.65	3.65	6.47	13.35	19.89	37.47
25	0.78	1.46	3.22	5.72	11.79	17.57	33.11
30	0.70	1.31	2.91	5.17	10.66	15.87	29.92
40	0.60	1.12	2.48	4.40	9.08	13.53	25.50
50	0.53	0.99	2.19	3.89	8.02	11.95	22.52
75	0.42	0.79	1.75	3.11	6.41	9.54	17.98
100	0.36	0.67	1.49	2.65	5.46	8.13	15.33

LPG · STEEL PIPE							
flow rate by volume (m ³ /h at 15°C) with density 1.69 with a pressure loss of 2.0mbar							
Threading (inches)	3/8	1/2	3/4	1	1 - 1/4	1 - 1/2	2
Inner diameter (mm)	13.2	16.7	22.5	27.9	36.6	42.5	53.9
Thickness (mm)	2	2.3	2.3	2.9	2.9	2.9	3.2
pipe length (m)	flow rate volume (m ³ /h)						
2	2.61	4.89	10.84	19.23	39.66	59.09	111.35
4	1.78	3.33	7.37	13.09	26.99	40.20	75.76
8	1.21	2.27	5.02	8.90	18.36	27.35	51.55
10	1.07	2.00	4.43	7.87	16.22	24.16	45.54
15	0.85	1.60	3.54	6.28	12.95	19.29	36.35
20	0.73	1.36	3.02	5.35	11.04	16.44	30.98
25	0.64	1.20	2.66	4.73	9.75	14.52	27.37
30	0.58	1.09	2.41	4.27	8.81	13.12	24.73
40	0.49	0.93	2.05	3.64	7.51	11.19	21.08
50	0.44	0.82	1.81	3.22	6.63	9.88	18.62
75	0.35	0.65	1.45	2.57	5.30	7.89	14.87
100	0.30	0.56	1.23	2.19	4.51	6.72	12.67

NATURAL GAS · COPPER PIPE							
flow rate by volume (m ³ /h at 15°C) with density 0.6 with a pressure loss of 1.0mbar							
External diameter (mm)	12	14	15	16	18	22	28
Inner diameter (mm)	10	12	13	14	16	20	26
Thickness (mm)	1	1	1	1	1	1	1
pipe length (m)	flow rate volume (m ³ /h)						
2	1.51	2.45	3.04	3.70	5.28	9.57	19.27
4	1.03	1.67	2.07	2.52	3.59	6.51	13.11
8	0.70	1.14	1.41	1.71	2.44	4.43	8.92
10	0.62	1.00	1.24	1.51	2.16	3.92	7.88
15	0.49	0.80	0.99	1.21	1.72	3.13	6.29
20	0.42	0.68	0.84	1.03	1.47	2.66	5.36
25	0.37	0.60	0.75	0.91	1.30	2.35	4.74
30	0.33	0.54	0.67	0.82	1.17	2.13	4.28
40	0.29	0.46	0.57	0.70	1.00	1.81	3.65
50	0.25	0.41	0.51	0.62	0.88	1.60	3.22
75	0.20	0.33	0.41	0.49	0.71	1.28	2.57
100	0.17	0.28	0.35	0.42	0.60	1.09	2.19

LPG · COPPER PIPE								
flow rate by volume (m ³ /h at 15°C) with density 1.69 with a pressure loss of 2.0mbar								
External diameter (mm)	12	14	15	16	18	22	28	35
Inner diameter (mm)	10	12	13	14	16	20	26	33
Thickness (mm)	1	1	1	1	1	1	1	1
pipe length (m)	flow rate volume (m ³ /h)							
2	1.25	2.03	2.51	3.06	4.37	7.92	15.94	30.09
4	0.85	1.38	1.71	2.08	2.97	5.39	10.84	20.48
8	0.58	0.94	1.16	1.42	2.02	3.66	7.38	13.93
10	0.51	0.83	1.03	1.25	1.79	3.24	6.52	12.31
15	0.41	0.66	0.82	1.00	1.43	2.58	5.20	9.83
20	0.35	0.56	0.70	0.85	1.21	2.20	4.43	8.37
25	0.31	0.50	0.62	0.75	1.07	1.95	3.92	7.40
30	0.28	0.45	0.56	0.68	0.97	1.76	3.54	6.68
40	0.24	0.38	0.48	0.58	0.83	1.50	3.02	5.70
50	0.21	0.34	0.42	0.51	0.73	1.32	2.67	5.03
75	0.17	0.27	0.34	0.41	0.58	1.06	2.13	4.02
100	0.14	0.23	0.29	0.35	0.50	0.90	1.81	3.42

Aspects to be respected for INSTALLATION:

Can be installed in any type of indoor space except for garages, warehouses containing combustible/flammable material. The internal installation environment requires ventilation openings, however, it must be possible to be ventilated with doors or windows communicating externally and openable.

It is forbidden to install the appliance in rooms where another wood-fired heat generating appliance has already been installed.

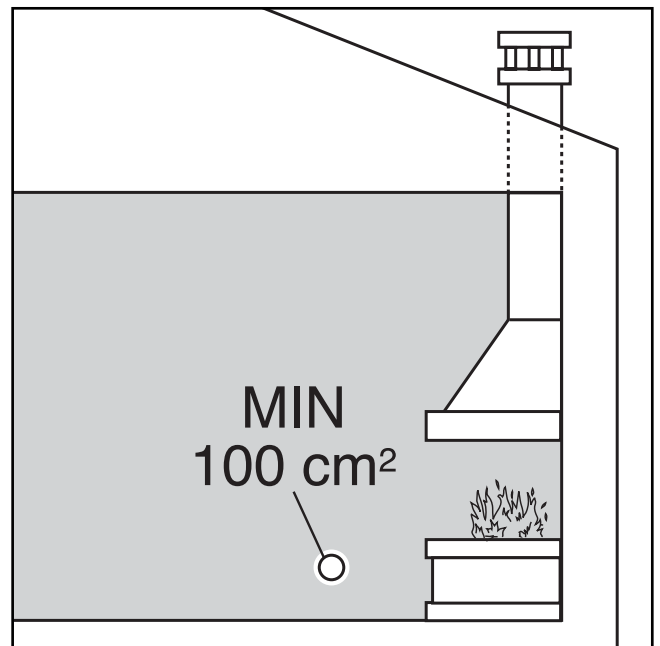
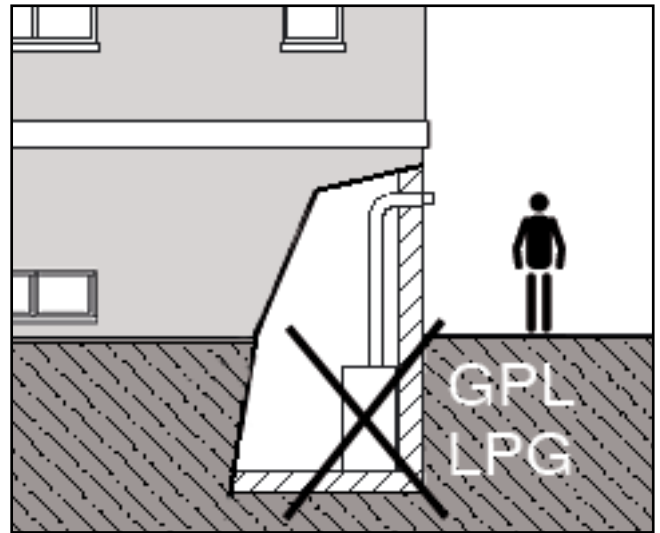
- Generally not permitted are rooms, garages, flammable material stores, bathroom and the presence of other gas/wood appliances that draw air from the environment for combustion,
- The ventilation/airing of the room must consider that the appliance is of the BAS type, therefore for correct operation it draws the combustion air from the environment in which it is installed and it is necessary to provide openings directly to the outside.

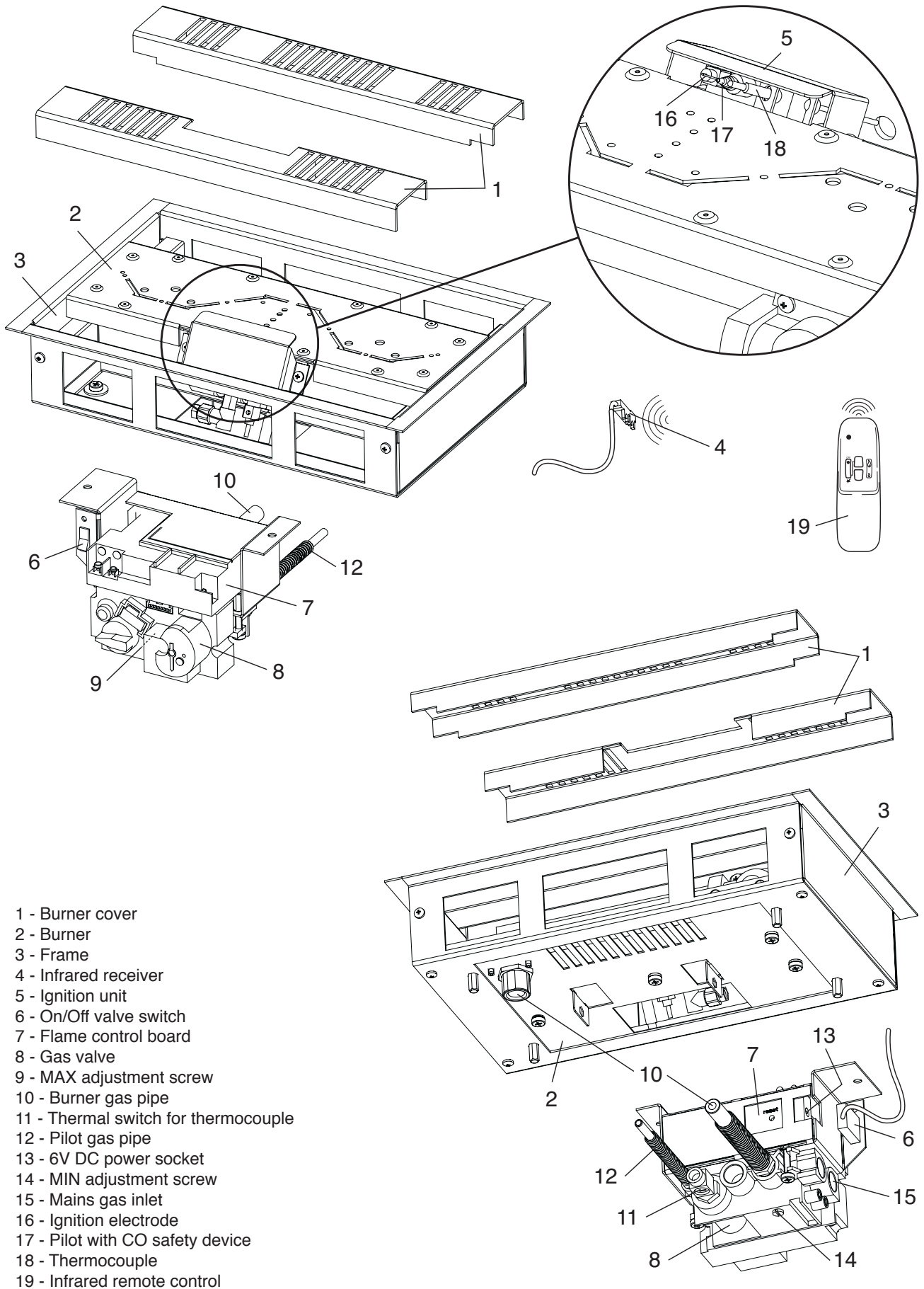
External air intake

the Safety Regulations provide for an external air intake of MIN 6 cm² for each kW of power installed in the environment: e.g. for 10 kW an opening with a surface of at least 60 cm² is required but it must be increased to at least 100 cm².

IMPORTANT: for safety reasons and in compliance with current regulations, the opening must never be less than 100 cm².

As an alternative to the outdoor air intake, it is possible to connect the appliances to a forced ventilation system to guarantee continuous air exchange, necessary for safety but also for the correct operation of the appliance.



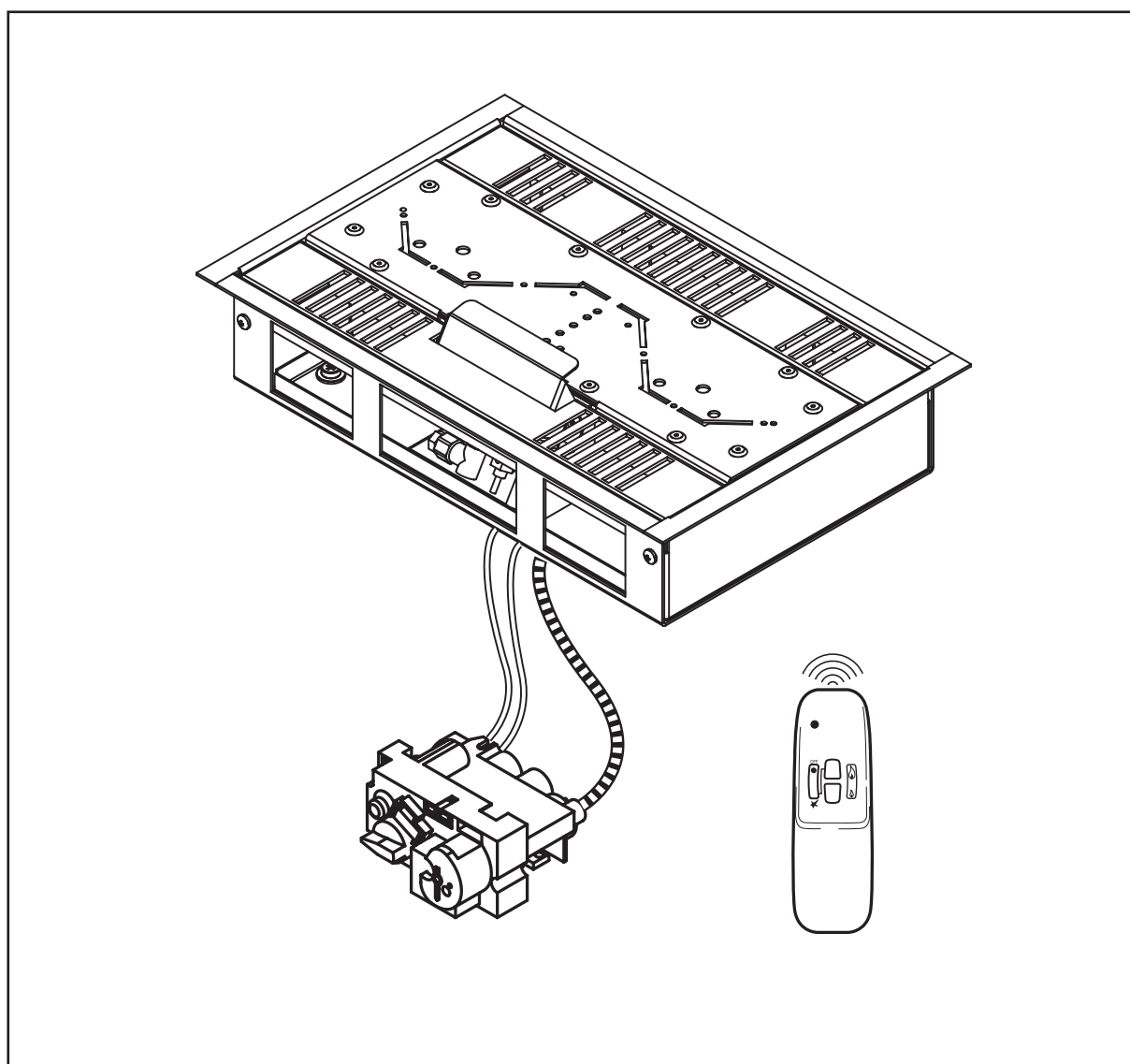


- 1 - Burner cover
- 2 - Burner
- 3 - Frame
- 4 - Infrared receiver
- 5 - Ignition unit
- 6 - On/Off valve switch
- 7 - Flame control board
- 8 - Gas valve
- 9 - MAX adjustment screw
- 10 - Burner gas pipe
- 11 - Thermal switch for thermocouple
- 12 - Pilot gas pipe
- 13 - 6V DC power socket
- 14 - MIN adjustment screw
- 15 - Mains gas inlet
- 16 - Ignition electrode
- 17 - Pilot with CO safety device
- 18 - Thermocouple
- 19 - Infrared remote control

RECEIVING THE PRODUCT

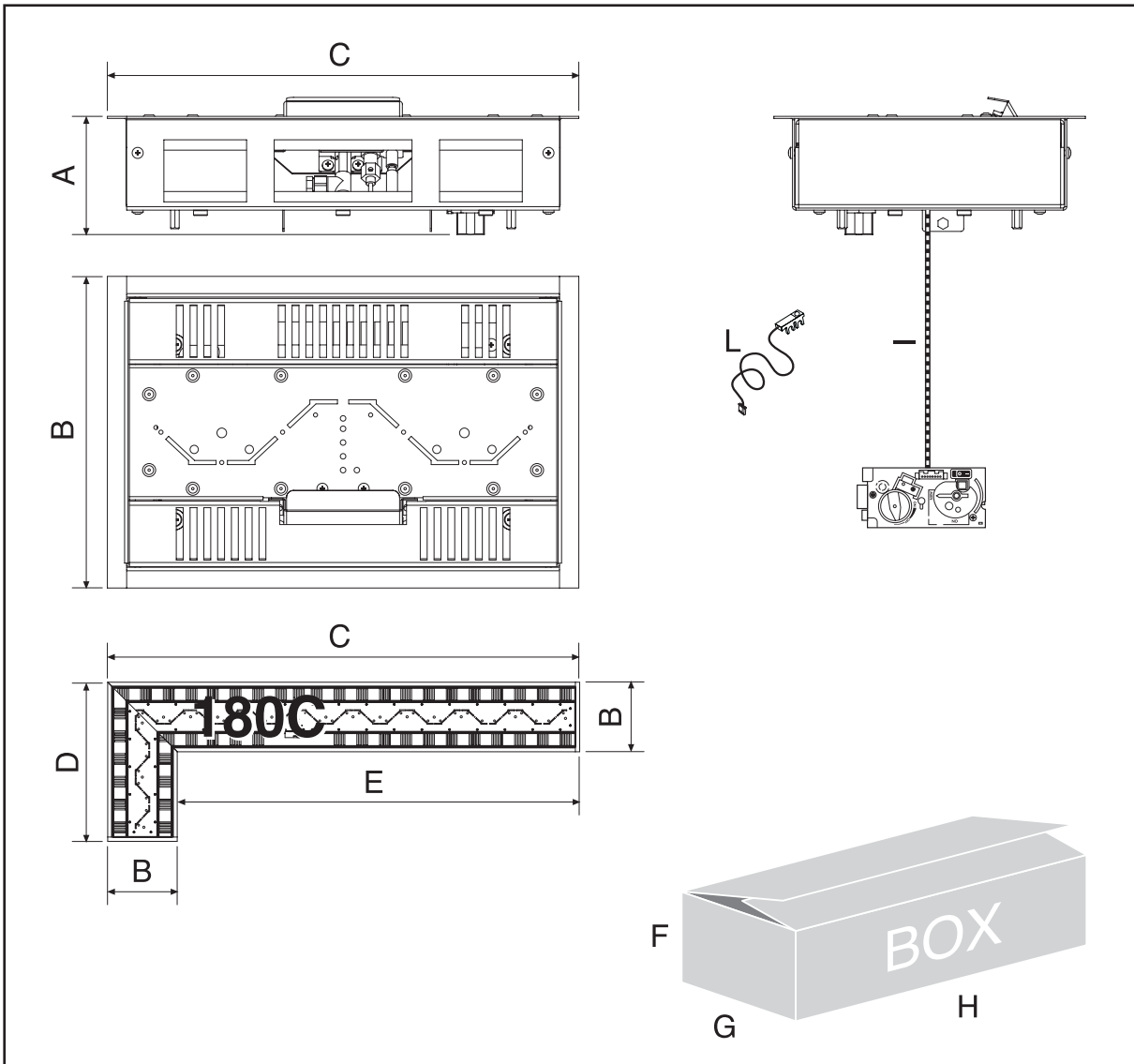
The appliance is supplied with:

- no. 1 Device with remote valve
- no. 1 Standard On/Off remote control
- no. 1 Document envelope:
 - no. 1 User instructions manual
 - no. 1 Installer manual
 - no. 1 Warranty certificate
 - no. 1 Warranty labels



DIMENSIONS AND WEIGHTS

	40	60	80	130	180	180C	
A	68						mm
B	226						mm
C	342	475	743	1276	1825	1534	mm
D						517	mm
E						1308	mm
F	180						mm
G	320						mm
H			1010				mm
I	1000	1000	1700	1700	1700	1700	mm
L (receiver)	1000						mm
net weight	6	7	10	15	19	21	Kg
gross weight			10.5				Kg



INSTALLATION

The appliance in your possession includes:

- Burner body incorporated in the structure provided for the recess
- Gas valve connected to the burners with hoses of 1m length for mod.40 - 60 and 1.7m for the others (from the center of the burners)
- Gas valve support bracket for electronic burner management
- Remote control for remote management of the burners: on, MAX/MIN flame adjustment and off.

There are no functional and structural parts to assemble before installation of the individual appliance.

FIXING:

A) ONE APPLIANCE: create the compartment (1) to house and secure the appliance.

⚠ Secure the appliance using the holes on the frame.

This compartment must be larger than the firebox in order to guarantee an empty gap of 5mm along the entire perimeter of the appliance.

This cavity will be used both for convenient insertion and for quick removal of the appliance in case of any future repairs.

- Create a housing compartment for the gas valve, close the compartment with a door (accessory) or create one, to avoid easy access and to ensure greater protection of the valve.
- Anchor the valve support bracket in the compartment created, securing it with appropriate screws.
- Be sure to have left the technical data plate easily accessible to anyone who will be called in to work on the appliance.

B) MULTIPLE APPLIANCES: create the compartment (1) to house and secure all the appliances.

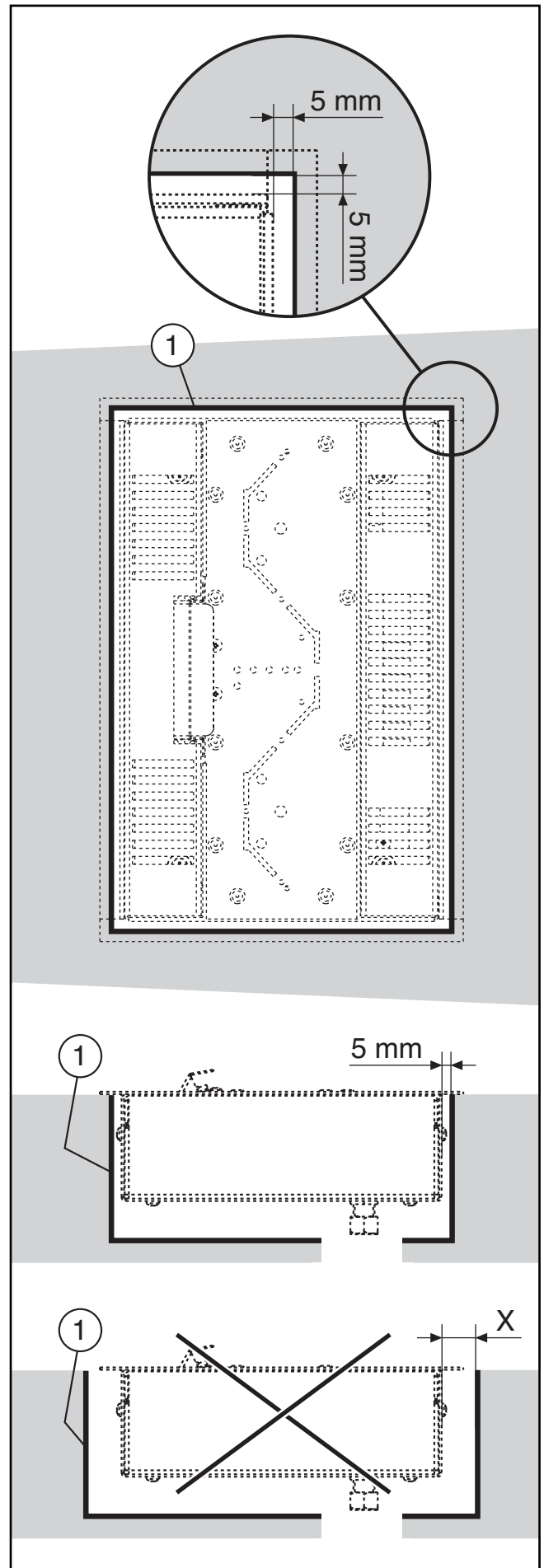
⚠ Secure each appliance using the holes on the frame.

This compartment must be larger than the composition of the braziers in order to guarantee an empty gap of 5mm along the entire perimeter of the composition.

This cavity will be used both for convenient insertion and quick removal of the appliances in case of any future repairs.

- Make sure that the appliance rests stably and horizontally in the compartment created and provide at least one screw anchor at the base of the compartment.
- Create a housing compartment for the gas valve, close the compartment with a door (Price List accessory) or create one, to avoid easy access and to ensure greater protection of the valve.
- Anchor the valve support bracket in the compartment created, securing it with appropriate screws.
- Be sure to have left the technical data plate easily accessible to anyone who will be called in to work on the appliance.

⚠ For the installation of two or more appliances, refer to the Special Installations Chapter.



HOUSING COMPARTMENT

The appliance is to be considered recessed, so it is necessary to create a compartment in which to place it and then fix it using the holes on the frame.

The materials of which the compartment must be composed, vertical sides and horizontal plane, must be resistant to minimum temperatures of 80°C plus ambient temperature: the materials that by their nature are considered flammable or labelled as such must be avoided.

! Install the appliance avoiding the use of cement or other adhesives for construction that may prevent its possible removal.

! The cladding counterwalls, all self-supporting, complete installation of this appliance and must be constructed with non-flammable materials in full compliance with the current regulations.

Infra-red receiver

The housing compartment of the gas valve must be closed with a door (accessory) to prevent free access and to protect the valve.

On the accessory door frame, the Manufacturer has provided a slit to house the receiver of the appliance. If you do not want to use the accessory door, you can create one using fireproof materials.

In this case the receiver must be positioned immediately next to the appliance but it is necessary to:

- avoid positioning it along the entire surface of the burner or along the entire edge of the appliance for a thickness of 1 cm.
- avoid direct exposure to sources of glare or sunlight.
- do not place it behind any obstacle (glass, sheet metal, wood, stone, etc.)

EXHAUST COMBUSTION FUMES

The combustion products must be discharged outside the room where the appliance is installed.

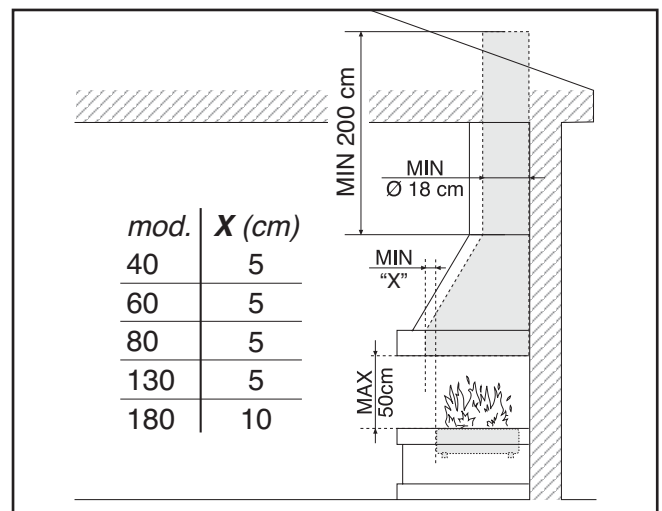
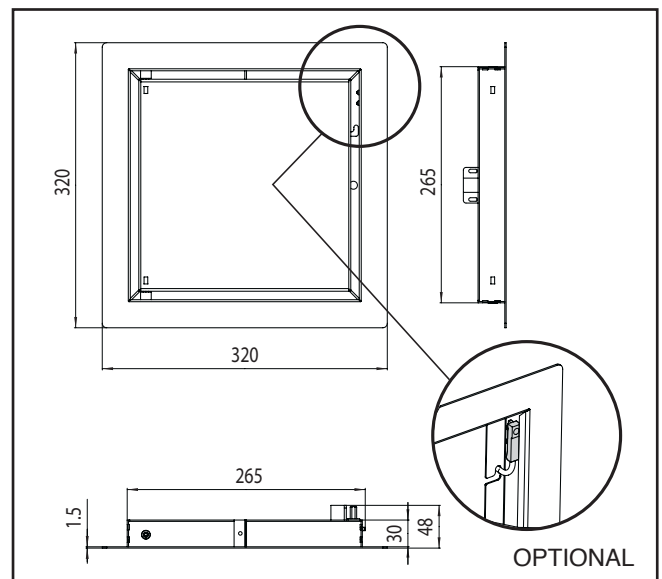
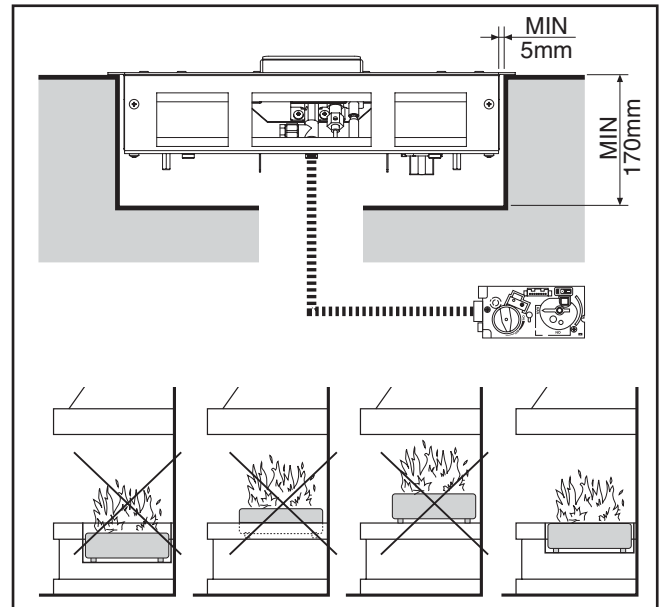
The flue gas can be discharged in different ways depending on the conditions of the room and the installation of one or more appliances in the same room.

Elements common to different types of flue:

- the presence of a conveyor hood with minimum dimensions according to the following table.
- the minimum diameter of the flue must be MIN 180mm (minimum equivalent section 255cm²)
- The temperature of the combustion products can reach 400°C so only use materials that are resistant to these temperatures.

The expulsion of combustion products must take account the type of roof and above all must be in compliance with national rules to:

- avoid defects of poor circulation
- avoid a situation whereby the effect of the wind prevents draft
- avoid discharging into areas harmful to neighbours



	40	60	80	130	180	180C	
MIN width	540	630	940	145	200	173	mm
MIN depth	430						mm
MIN inclination	48°	42°	28°	18°	12°	15°	
MIN / MAX distance between the fire bed and the hood	100 / 500						mm

FLUE

A. EXISTING FLUE

- Clean the existing flue before installing the appliance and before carrying out a flue gas evacuation test, according to the national regulations.
- Make sure that the flue is dedicated only to the appliance being installed and that it is not shared with other appliances already installed.
- Minimum vertical development 2 metres.
- Any restrictors (1) present along the path of the combustion products must be removed or fixed in full open mode.

B. VERTICAL FLUE CREATION

- Minimum vertical development 2 metres.
- Protect the flue from rain or dust penetration from above with a cover terminal (2) that does not obstruct the leakage of combustion products.

C. HORIZONTAL FLUE CREATION

- Minimum vertical development of 0.5 meters
- Horizontal development as required but with an electromechanical extractor obligation (3*, accessory not listed).

(3*) the electromechanical extractor must guarantee a pressure difference during the suction phase ranging from 40 to 80 Pascal, depending on the route of the flue.

In addition, the extractor must have the function of adjusting the rotation speed, as it is always the installer's responsibility to ensure stability of the flame and to avoid defects such as tearing or extinguishing the main burner with the extractor in operation.

it is possible buy the connection cable with the smoke extractor (Price List accessory).

This accessory offers the possibility of activating the fan of the extractor, when the power on command of the appliance is given.

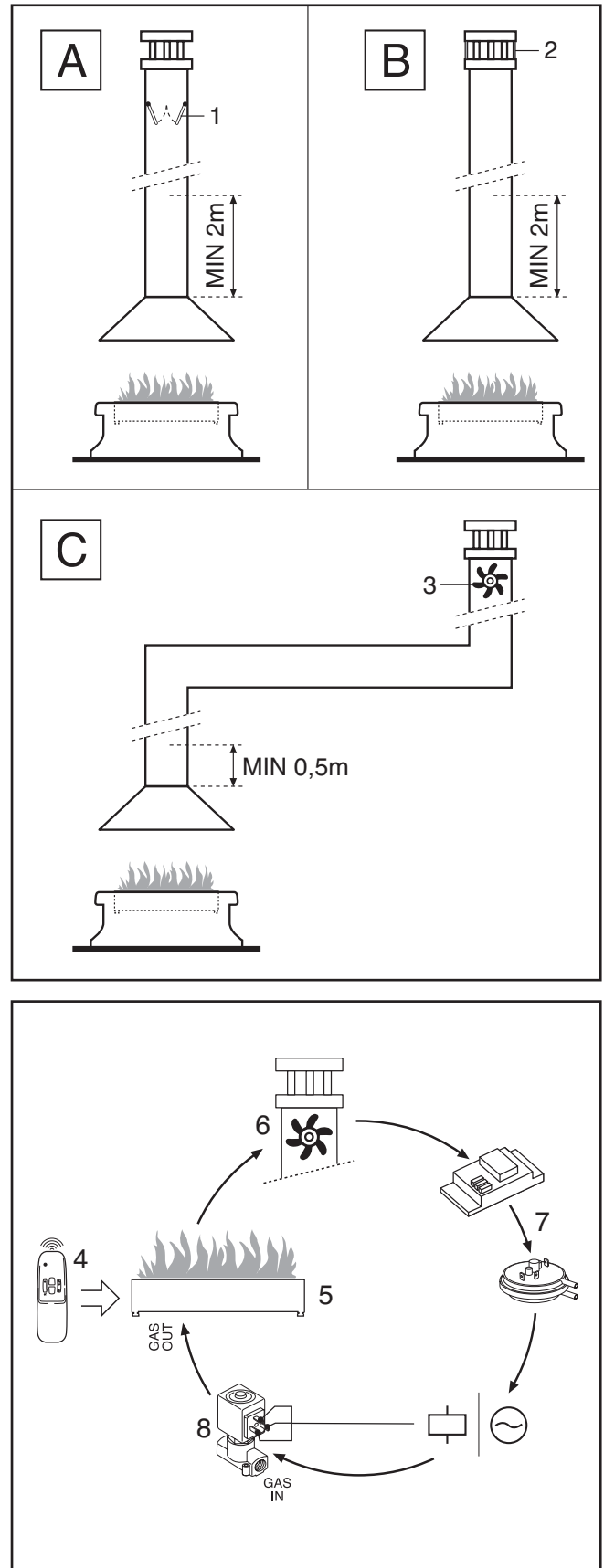
The Manufacturer suggests the purchase of extractors equipped with smart systems that detect any fan malfunctions and interrupt the flow of gas.

Operating diagram:

- a) when switching on (4) the receiver of the appliance (5) will give the ON pulse to the fan (6);
- b) the smart system or the pressure switch (7), will verify the correct operation and the correct suction;
- c) only afterwards will the solenoid valve opening command (8) be given.

In the event of a fan malfunction (6), the smart system or pressure switch (7) will interrupt the current on the solenoid valve (8) which will immediately close the gas flow to the appliance (5).

The interruption due to faults or anomalies in one of the illustrated elements will interrupt the operating cycle described in the figure, ensuring adequate safety.



SUCTION HOOD

This appliance is equipped with an atmospheric burner with a naked flame TYPE B combustion chamber. Oxidising air is drawn directly from the room where the appliance is installed.

To ensure proper flue gas evacuation, it is possible to choose between two types of hood:

A. A HOOD FOR AN APPLIANCE

- each appliance has its own hood with minimum dimensions specified in the table (Chap. Flue gas exhaust).
- each side of the hood must protrude 20cm from each external side of the individual appliance, obviously except on the internal side adhering to the appliance next to it.
- the hoods of each appliance can be brought together (always respecting 20cm).

B. A HOOD FOR ALL APPLIANCES

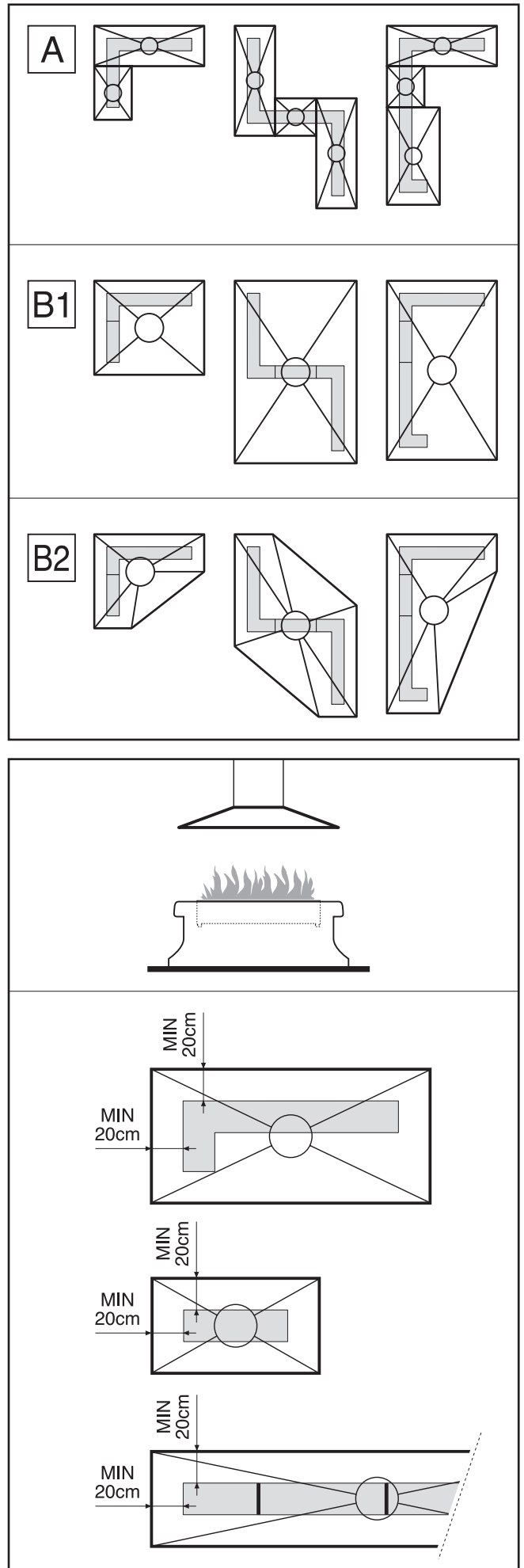
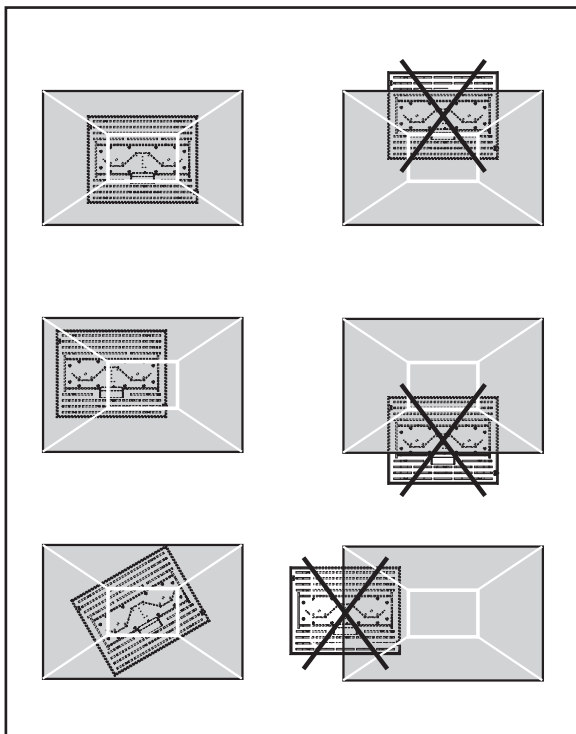
B1. rectangular or square shape.

- each side of the hood must protrude 20cm from each side of the installed appliances.
- minimum inclination (see table in Chap. Flue gas exhaust).
- MINIMUM area of the exhaust pipe must be calculated by multiplying $255\text{cm}^2 \times$ number of appliances.
- the position of the exhaust pipe must be in the geometric centre of the surface of the appliances.

B2. polygonal shape

- each side of the hood must protrude 20cm from each external side of the installed appliances.
- minimum inclination (see table in Chap. Flue gas exhaust).
- MINIMUM area of the exhaust pipe must be calculated by multiplying $255\text{cm}^2 \times$ number of appliances.
- the position of the exhaust pipe must be in the geometric centre of the surface of the appliances.

⚠ The appliance must not only be installed in the centre of the hood, it can be decentralised but always inside the area covered by the hood.



SAFETY DISTANCES

⚠ Maintain a distance of at least 1m (1) between the appliance and objects in combustible or flammable material: wooden furniture and furnishings, ornaments, curtains, etc. Do not approach or put the appliance in direct contact with combustible, heat-sensitive or flammable materials: furniture, beams, ceilings, curtains, etc.

- DO NOT use accessories or components not provided by the Manufacturer for placement as they could create serious danger.
- Do not obstruct the suction/discharge terminal of the appliance with loose linen or belts.

Dimensions of openings for ambient ventilation

The openings must guarantee an air flow from the outside of at least 2m³/h for each kW of power of the appliance.

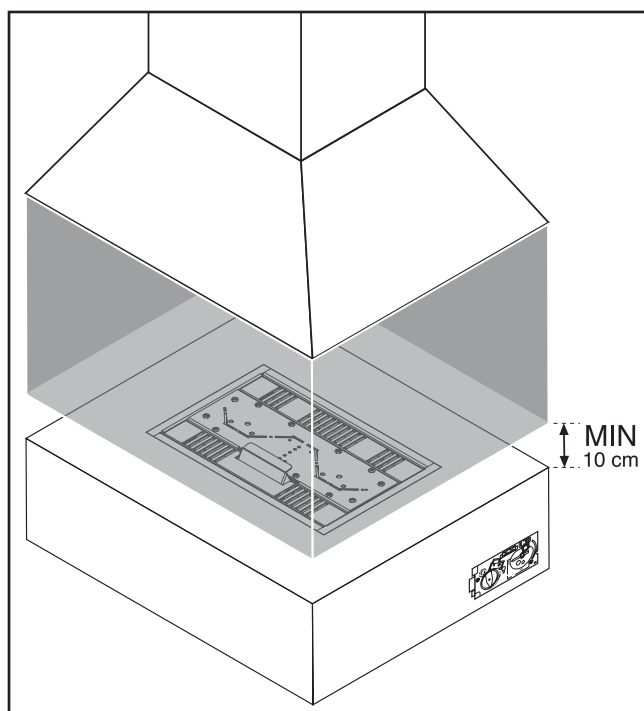
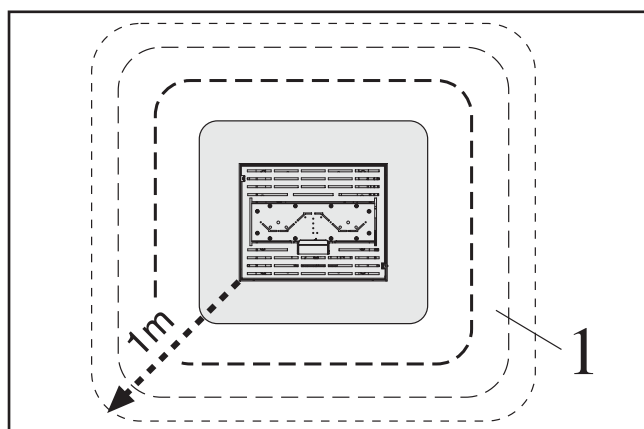
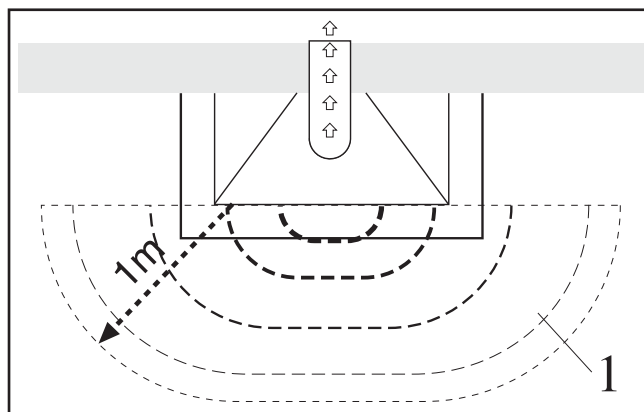
Flame protection barrier

⚠ In this appliance there are naked flames. It is advisable to use a protective barrier for children, the elderly and the disabled.

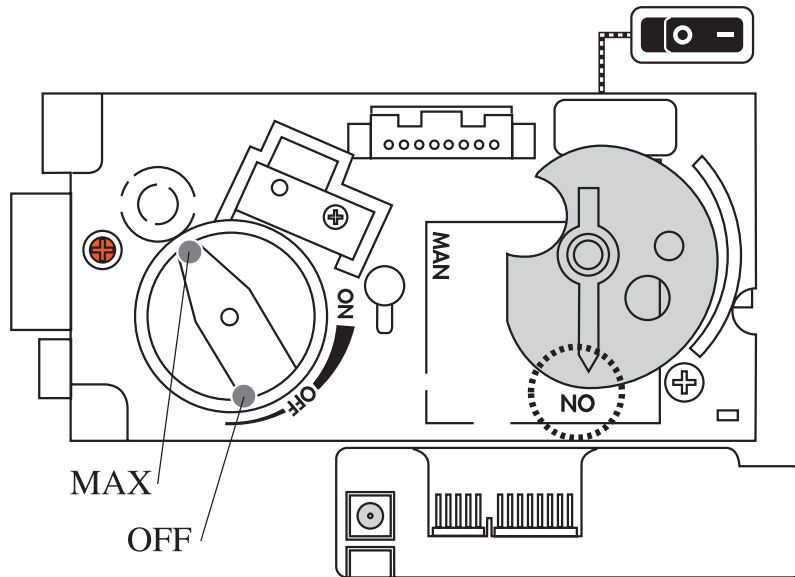
The protective barrier is not supplied with the appliance.

To create a protective barrier, it is necessary to comply with the following characteristics:

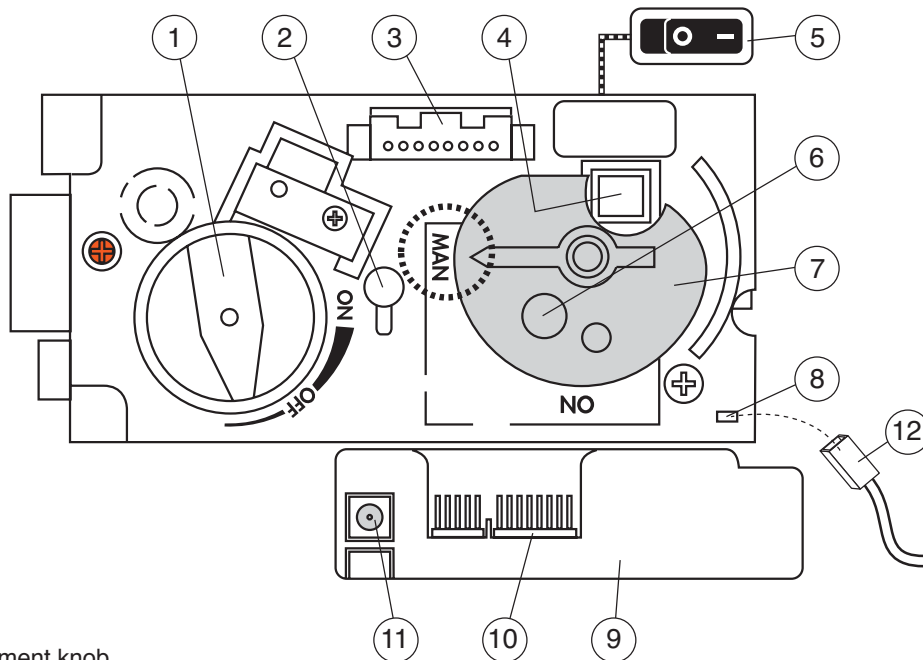
- non-flammable material.
- provide openings that allow the correct amount of air to pass through the firebox (MIN 10cm high along the entire perimeter of the appliance).
- installed in such a way as not to interfere with the pulling of the flue over the firebox.
- fixed to the coating such as to avoid falling on the appliance.



Automatic operation position with REMOTE CONTROL



MANUAL operation position



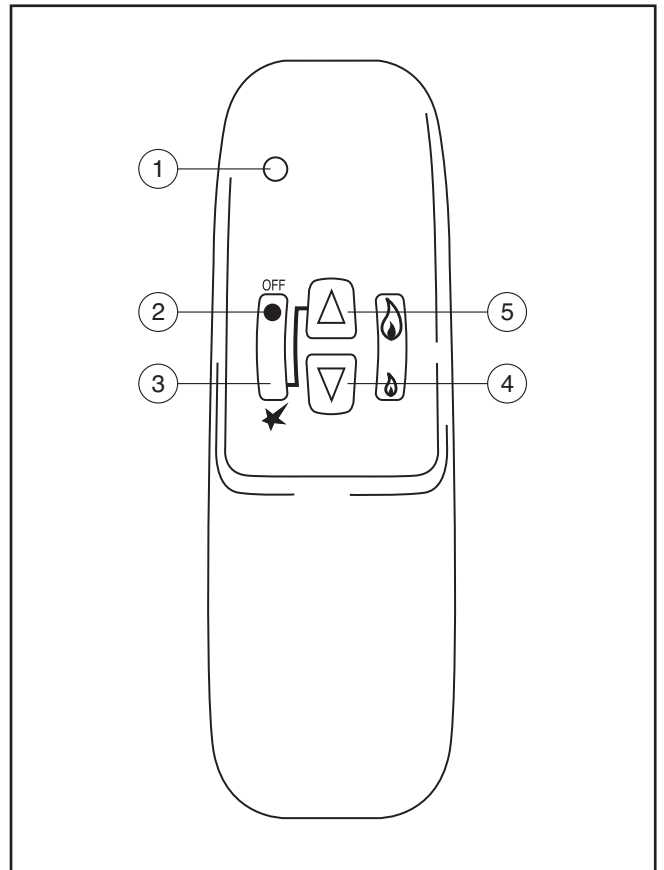
- 1 - Adjustment knob
- 2 - MAX gas adjustment screw
- 3 - Valve Connector/Flame control board
- 4 - Piezoelectric power button (manual)
- 5 - O-1 switch
- 6 - Magnet leg for manual operation
- 7 - Manual intervention position knob
- 8 - Piezoelectric connection cable connector (manual)
- 9 - Flame control board
- 10 - Valve Connector/Flame control board
- 11 - 6V DC power socket
- 12 - Cable to be disconnected from the control unit and connected to position 8

REMOTE CONTROL

This appliance is equipped with an infrared remote control, for safety reasons in compliance with current regulations.

⚠ To switch on the appliance, point the remote control directly at the sensor at A maximum distance of 3m avoiding interference with front light sources or obstacles.

- 1 - Red LED, Transmission
- 2 - Off
- 3 - On (3 + 5)
- 4 - lower flame
- 5 - flame riser (3 + 5)



Before proceeding with the first ignition, check the following points:

• **ATTENTION! BEFORE TURNING ON THE EQUIPMENT, CAREFULLY READ ALL THE INSTRUCTIONS AND WARNINGS CONTAINED IN THIS BOOKLET.**

- 1) turn on only if all the components have been fixed and are stable
- 2) open the main gas valve that was fitted before the appliance valve
- 3) check the leakage of the gas circuit as far as the appliance valve
- 4) turn on the appliance by turning the main switch to "I".
- 5) make sure the valve knobs are in the correct position (1)
- 6) switching on the appliance:
 - Point the remote control towards the sensor and simultaneously press the "spark" and "UP triangle" keys on the supplied remote control.

⚠ Aim the remote control directly at the sensor at A maximum distance of 3m avoiding interference with front light sources or obstacles.

- A beep will signal the start of the start sequence.

7) device adjustment:

- Once switched on, it is possible to choose the power level of the appliance using the remote control.
- Press the "triangle DOWN" button on the remote control to reduce the intensity of the flame.
- Press the "UP triangle + spark" keys to increase the flame intensity.

⚠ Increasing the intensity of the flame through the use of two keys is a safety measure designed by the Manufacturer to avoid involuntary and sudden flames.

8) at this point check all the automatic phases in sequence:

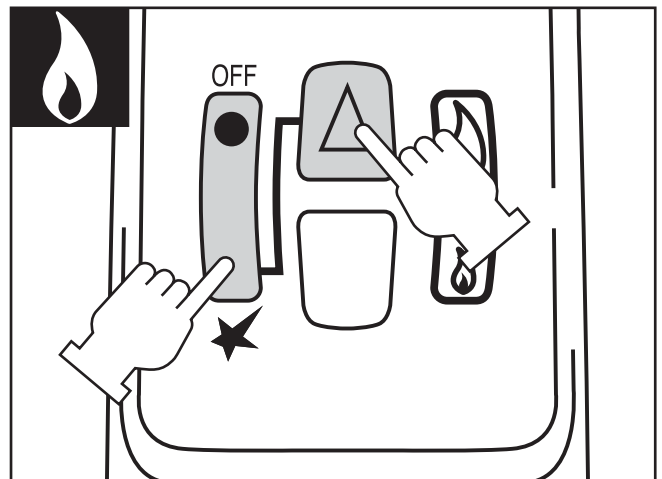
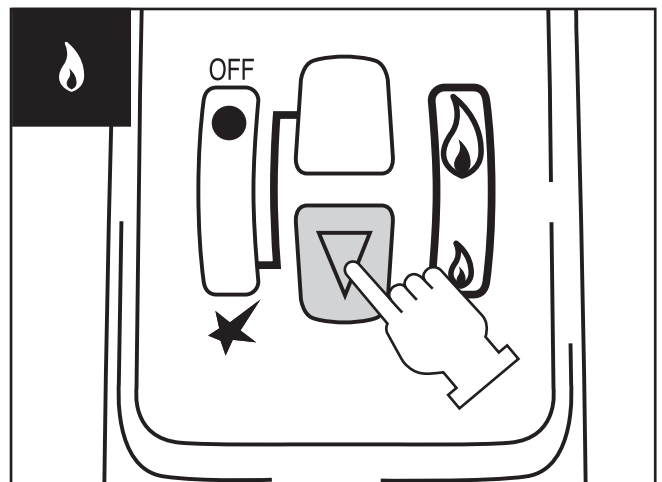
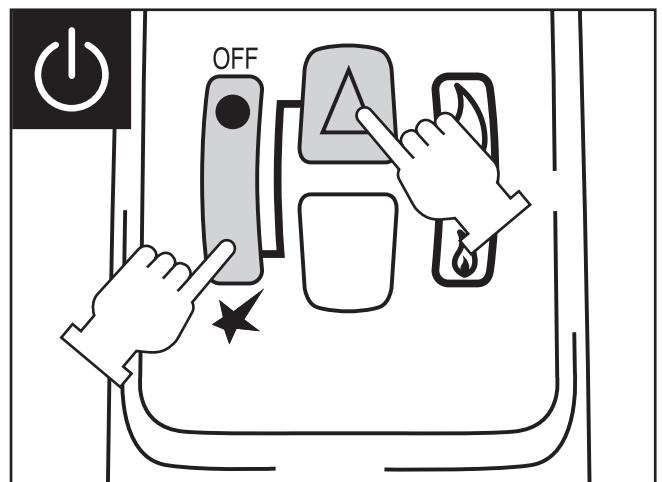
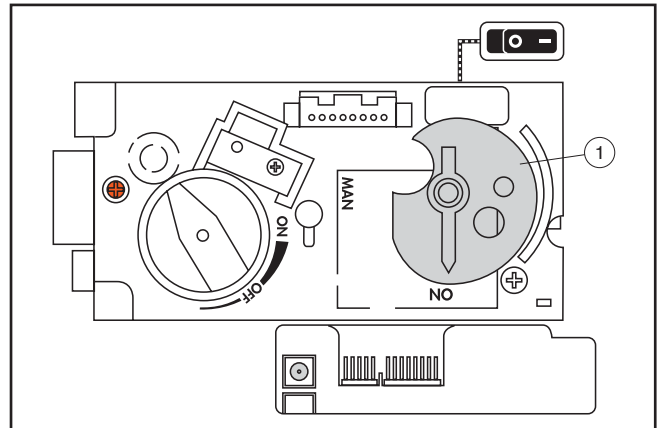
- presence of spark on pilot burner
- ignition of the two flames on the pilot burner (one for the "thermocouple" safety system and the other for ignition of the main burner flame)
- ignition of the main burner throughout its width at maximum flow rate

NOTE during the first ignition it is probable that the flames on the pilot burner may not ignite rapidly. This is due to the fact that the air present in the gas circuit must first come out completely. Do not force this process but repeat the ignition with remote control also respecting the times of the valve itself.

9) At this point check correct operation of the valve by lowering and raising the flames of the main burner and completely extinguishing the appliance.

10) After ten minutes of operation, check correct operation of the conveyor hood and of the flue duct by placing a match on the edge of the hood and check that the flame is oriented with the tip towards the inside of the flue duct.

11) The final phase is the furnishing of the firebox with the accessories provided in accordance with the specific instructions attached.



MANUAL CONTROL (without remote control)

The appliance can also be used in manual mode, in case of:

- repair work carried out by authorised technical personnel
- depleted remote control batteries

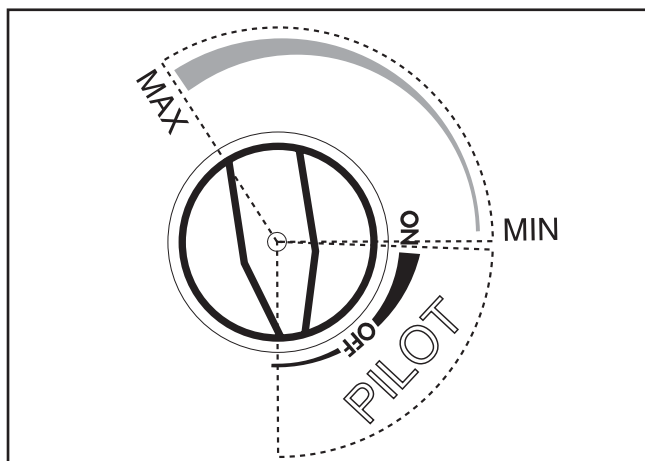
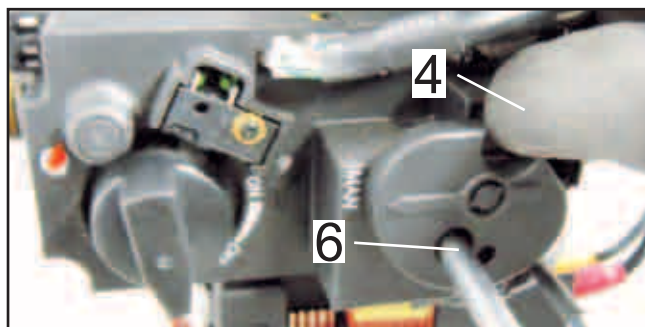
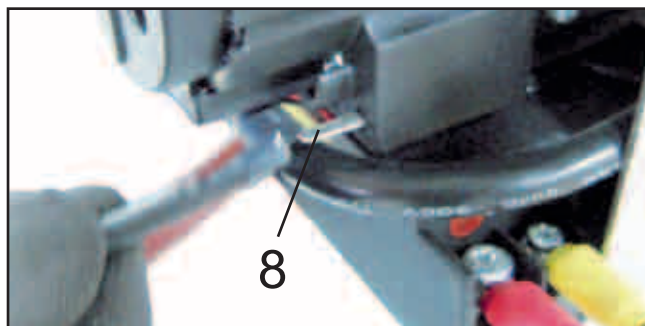
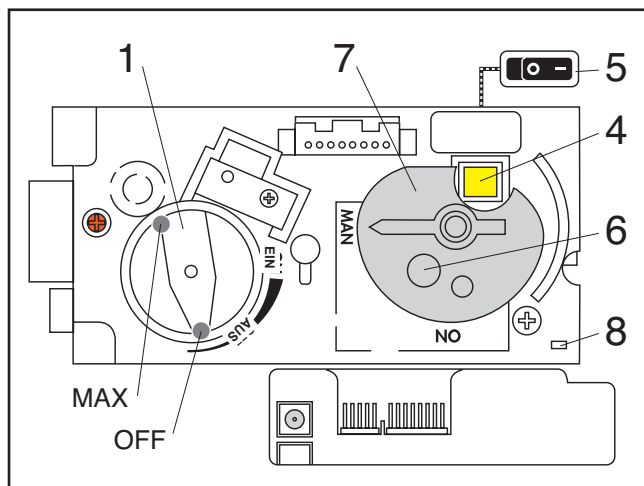
Switching on

- Open the gas supply valve.
- Turn on the valve unit by setting the switch (5) to "I";
- Set the adjustment knob (1) to "OFF";
- Turn the knob (7) to manual "MAN";
- Disconnect the ignition cable from the rear connection (9) and insert it into the faston (8);
- Insert a screwdriver into the hole (6) and keep the magnet shank pressed;
- Press the piezoelectric power button (4), with the magnet leg pressed, until the pilot flame is lit. Press and hold the Magnet Leg for approximately 10 seconds, to allow adequate heating of the Thermocouple;
- Remove the screwdriver, releasing the magnet shank;
- Turn the knob (7) to automatic "NO";
- Turn the knob (1) from "OFF" to "MAX" as required.

⚠ In the "OFF" position the pilot flame is not extinguished but remains lit at minimum.

Shutdown

- Switch off the appliance: turn the control knob clockwise until it returns to the "PILOT" position.
- To permanently switch off the appliance (prolonged inactivity): turn the control knob clockwise to the "PILOT" position. When this position is reached, press the control knob and turn it to the "OFF" position. Turn off the gas supply valve.



The appliance is already adjusted at the factory as shown on the technical data plate, with the gas distributed in the installation area.

The appliance is not intended to operate with gases other than those specified on the plate, for the gas change it is necessary to request a new burner, specifying the type and pressure of the gas distributed in the installation area.

However, controls and small adjustments on the valve are possible.

Possible checks

- Valve inlet gas pressure (unscrew screw A with a 3.5mm slotted screwdriver anti-clockwise for 1-2 turns and insert a silicone tube connected to the measuring instrument on the 9mm diameter pressure socket)
- Gas pressure on the main burner at different flow rates (unscrew screw B with 3.5mm slotted screwdriver anti-clockwise 1-2 turns and insert a silicone tube on the 9mm diameter pressure socket)

Adjustments

- Pressure on the main burner when it is at maximum flow rate (use screw C with 2.5mm slotted screwdriver, clockwise increases pressure)
- Pressure on the main burner when it is at minimum flow rate (use Allen D with 4mm hex wrench, clockwise decreases pressure)
- Gas flow rate on the pilot burner (place knob E in the "MAN" position, insert 3.5mm slotted screwdriver into hole E applying force to pierce the protective plastic, intercept the screw to adjust the gas flow rate on the pilot burner; clockwise decreases the flow rate)

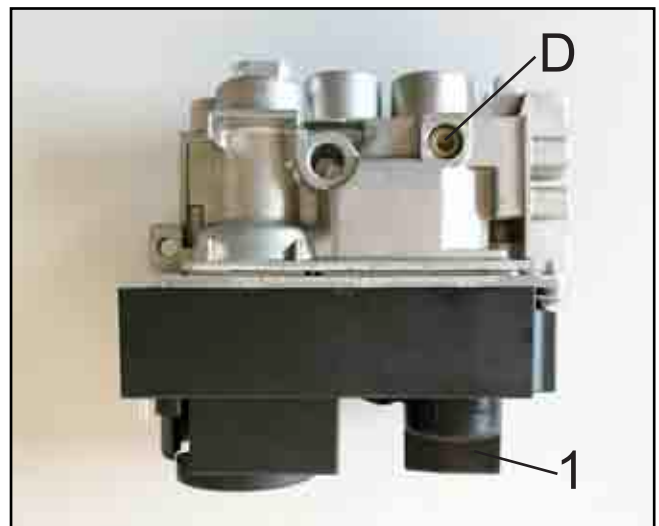
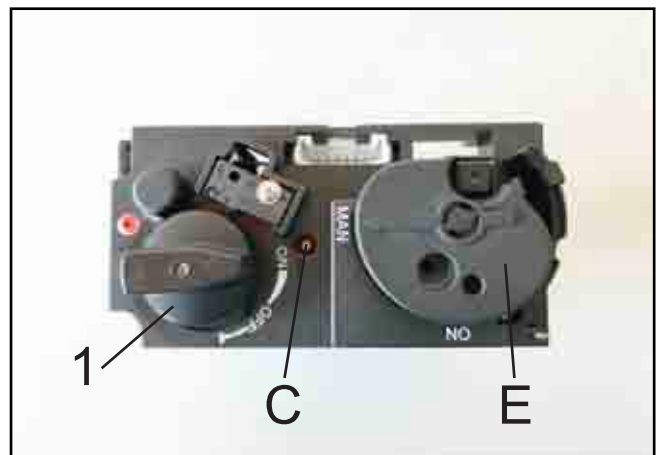
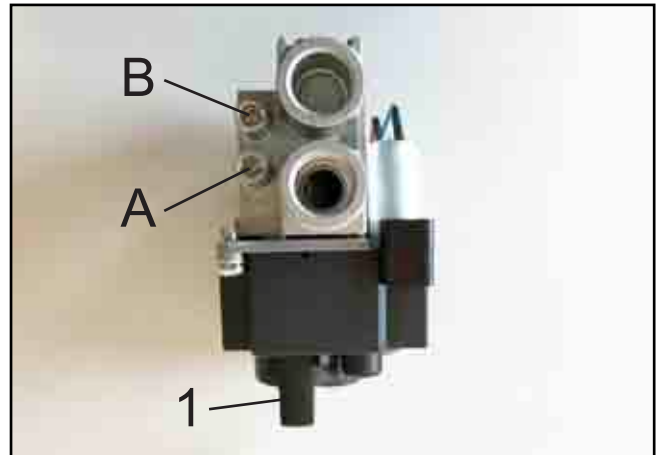
Flame height adjustments in case of multiple installations

This appliance can be installed in multiple mode alongside several appliances. Obviously different models can have different flame heights.

To try to align the various heights use the screw C with a screwdriver:

- turn on the appliances with a flame at MAX.
- turn clockwise to raise the flame
- turn anti-clockwise to lower the flame

⚠ This type of adjustment was not designed or supported to align all the flames but can help improve perception of the assembly.



WOOD OR STONES

The firebox can be furnished:

- without stones or wooden kit
- with a wood kit proposed by the Manufacturer
- with a stone kit proposed by the Manufacturer
- with stones from 15mm to 40mm in marble, stone or river. The stones must be natural without chemical treatments or painted and free from dusty residues.

⚠ **It is not permitted to use stones and wood together on the firebox.**

⚠ **The stones or wood must be arranged as shown in the instructions contained in the packaging of this accessory.**

⚠ **Incorrect or random positioning of the furniture alters the performance of the appliance, the height and the colour of the flame.**

⚠ **Only use embers, ceramic logs and river pebbles supplied with the KIT, do not add other ones and comply with the arrangement indicated by the Manufacturer.**

⚠ **Always use original parts or spare parts supplied by the Manufacturer. Installation must be carried out by personnel authorised by the Manufacturer or by a qualified technician.**

Precautions to be followed before placing the furniture (stones or wood) on the burner surface:

- identify the area relating to the pilot flames.
- ensure that no small parts (dust, stones, wood or embers) cover the flames of the pilot burner.
- respect the positioning of the furniture defined by the Manufacturer and certified by the Approval Body.
- allow the flames of the burner to rise upwards without obstructions that could affect correct functioning of the appliance, dirty the appliance more and therefore require more frequent cleaning than normal.

A label is applied to the appliance with warnings to be observed, a label that only the end user can decide to remove once all its points have been read and understood.

Following the text of the label (1):

the installer must check that all combustion products enter the flue, 10 minutes after the flame is ignited from cold, around the perimeter of the flue opening using a smoke generator or match.

This appliance must be installed in accordance with the rules in force and used only in a sufficiently ventilated space. Consult the instructions before installing and using the appliance.

This appliance is intended for decorative use.

ATTENTION: this appliance has naked flames. A protective grid should be used for the protection of children, the elderly and the sick.

⚠ **The grid that protects against naked flames is not a component of the appliance.**

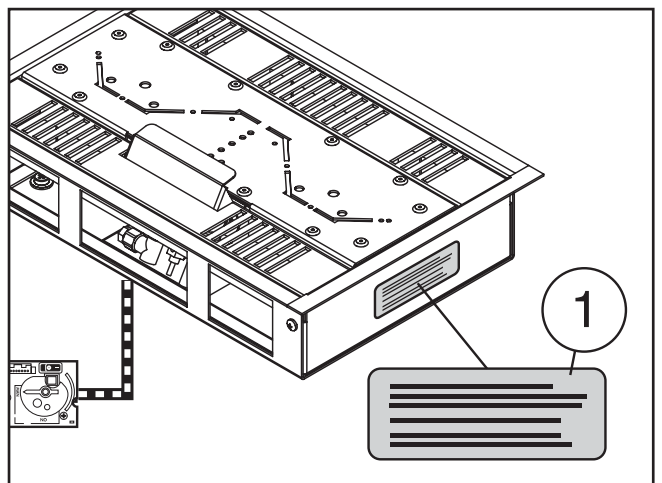
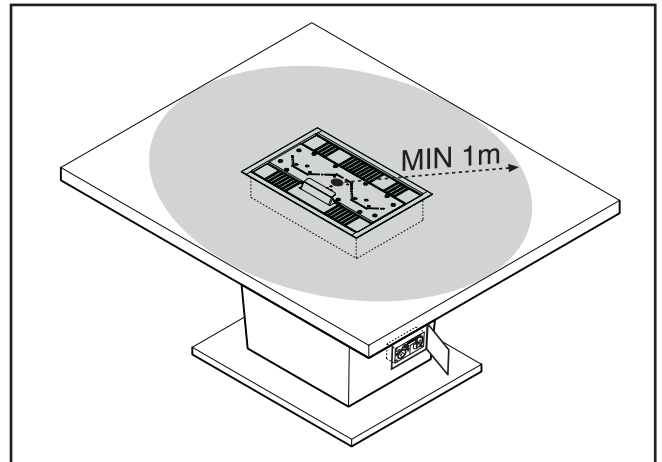


TABLE INSTALLATION

When installing this appliance on a table, comply with the following minimum safety requirements:

- Fix the table to the floor.
- the materials of which the table is made must be resistant to minimum temperatures of 80°C plus ambient temperature: materials that by their nature are considered flammable must be avoided.
- the table must guarantee a safe distance (MIN 1m) between the naked flames and the occupants of the table
- the lower part of the table must be protected from intrusion by objects or animals.
- the lower part of the table must accommodate a valve access door.
- above the table there must be a conveyor hood (see chapter "Type of chimney flue") with relative chimney flue.



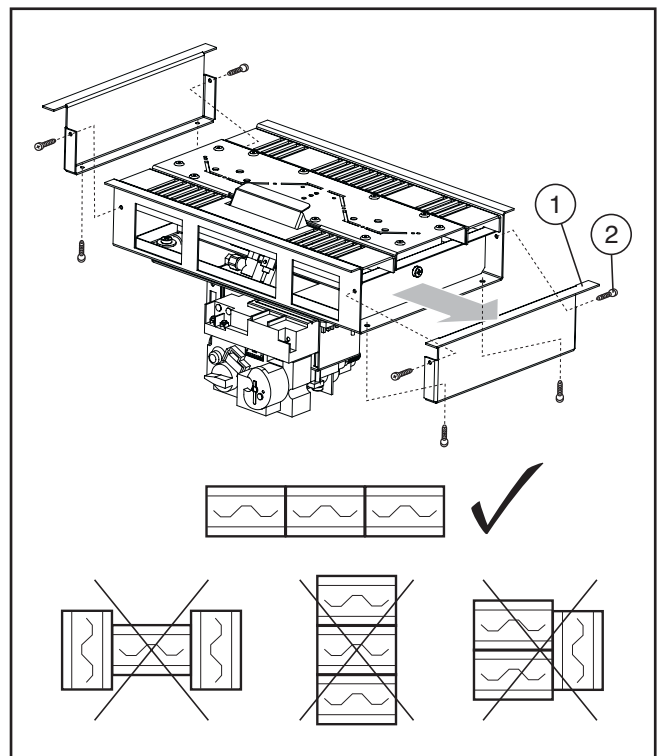
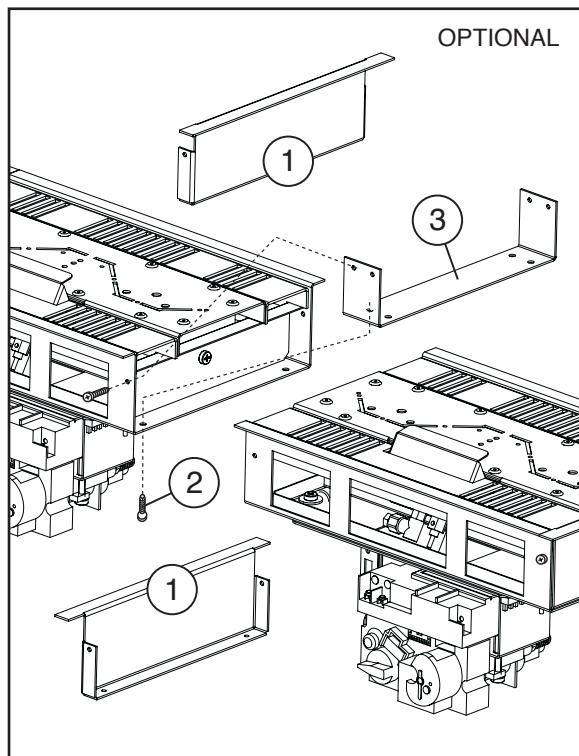
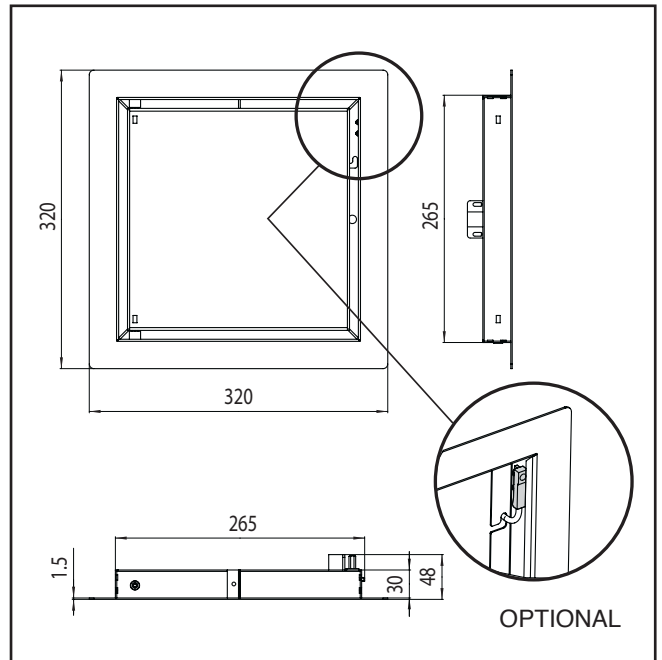
INSTALLATION OF TWO OR MORE APPLIANCES

This appliance can be installed in adhesion with other appliances (of the same size or different). This feature creates a continuous flame without detachment between one appliance and another.

It is possible to combine an infinite number of devices (each with its own valve) to compose paths and lengths without limits.

Proceed as follows:

- on the first appliance, remove the screws (2) and the side plate (1), the one in contact side with the second appliance
- on the second appliance, remove the screws (2) and remove the side plate (1), the one in contact side with the first appliance
- fix the bracket (3, optional) to the first and second appliances, reusing the screws (2) for fixing of the side plates (1).





ITALKERO S.r.l. . via Lumumba 2 . Zona Ind. Torrazzi . 41122 Modena . Italy . Tel +39 59 2550711 . FAX +39 059 4900500 . www.italkero.it

NOTA: Nel continuo perfezionamento del prodotto, le caratteristiche estetiche e dimensionali, i dati tecnici, gli equipaggiamenti e gli accessori, possono essere soggetti a variazione.

NOTE: Due to ongoing product upgrading, aesthetic and dimensional features, technical details, fittings and accessories could undergo changes and are not binding.

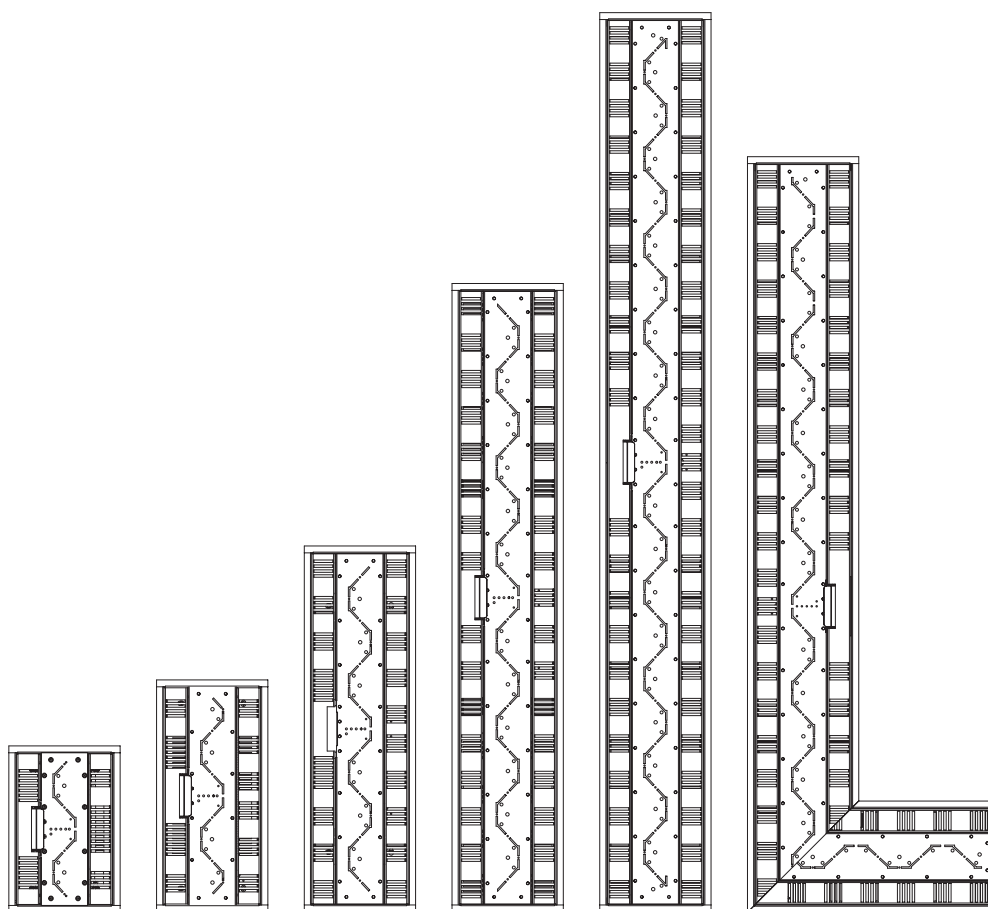
NOTE : En vue de l'amélioration continue des produits, les caractéristiques esthétiques et de taille, les données techniques, l'équipement et les accessoires peuvent être modifiés.

HINWEIS: Im Bestreben unsere Produkte kontinuierlich zu verbessern, können maßbezogene und ästhetische Eigenschaften, technische Daten, Ausrüstungen und Anlagen sowie Zubehörkomponenten Veränderungen unterworfen sein.



Italkero

Gas heating
- firebox insert -
INDOOR USE



SNAKE

40 - 60 - 80 - 130 - 180 - 180C

USER



0063
CU3238

TABLE OF CONTENTS

Warranty	p. 2
Appliance description	2
First ignition	3
Protection	6
Ordinary maintenance	6
Removable parts	7
Extraordinary maintenance	8
Firebox preparation	9
Spare parts	10

In same parts of the book there are used these symbols:



Attention: it used to underline particular caution or actions.



Prohibited: it used to underline the actions that don't half to be executed.

WARRANTY

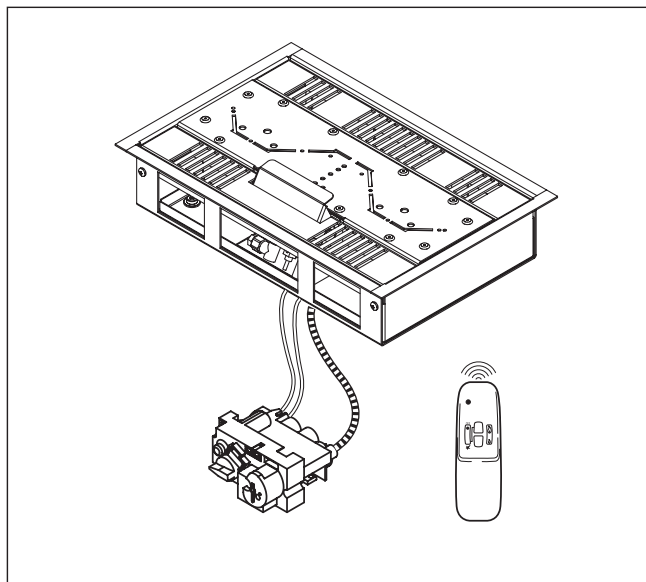
Before contacting the authorised warranty activation service centre, check that:

- the appliance is functional and with all its components installed (possible glass protection, blocks or pebbles, valve housing with door).
- all parts of the appliance can be inspected and therefore without its final decorative coating.
- it is properly connected to gas and electricity (in case of power supply accessory)

DESCRIPTION OF THE APPLIANCE

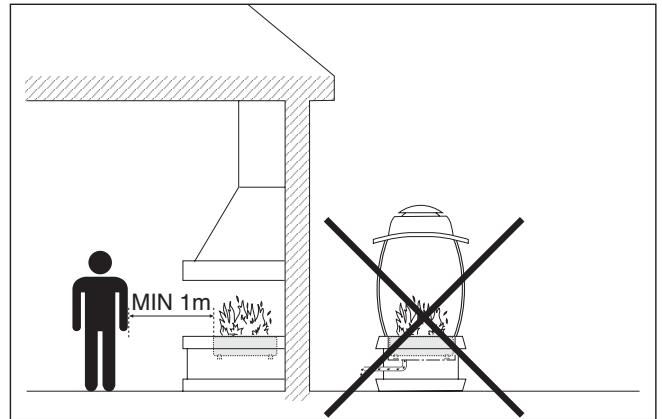
This appliance is for decorative purposes.

This appliance is designed for decorative purposes in compliance with the applicable European standard EN509, for this reason the performance has not been evaluated as the usual appliances for heating.



BEFORE TURNING ON THE APPLIANCE

- Make sure that no person is less than 1m from the appliance
- Make sure that nothing is less than 1m from the appliance
- Open the gas tap upstream of the valve
- Make sure that the electrical switch near the valve is in position "I"



STARTING WITH REMOTE CONTROL

- Orient the remote control towards the IR sensor
- Simultaneously press the "ignition and high flame" buttons for at least 2" or until hearing a sound (then release the buttons) that will alerts to receiving of the signal and the start of the automatic ignition phase that provides predetermined times to ensure safety:
 - 10" from the start of the spark on the pilot burner, during the period, sounds will be heard at regular intervals of 1"
 - When the flame on the pilot burner ignites, the spark stops igniting (if the flame does not ignite, the flashing period will be 30" after which it will be necessary to retry ignition)
 - 20" from the time the pilot flame strikes the safety thermocouple to obtain ignition of the main burner at maximum flow rate

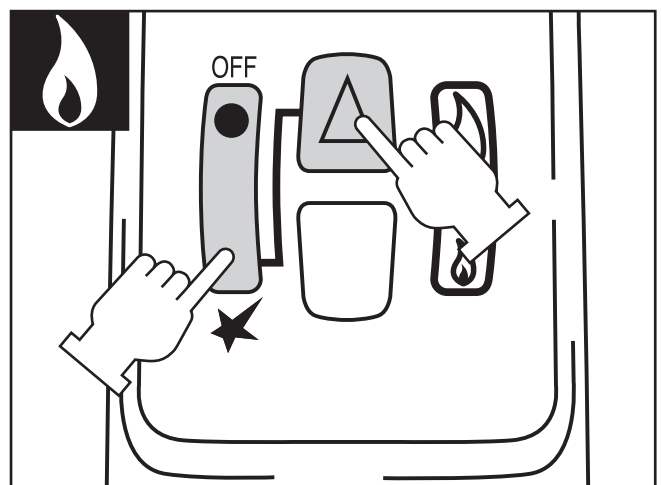
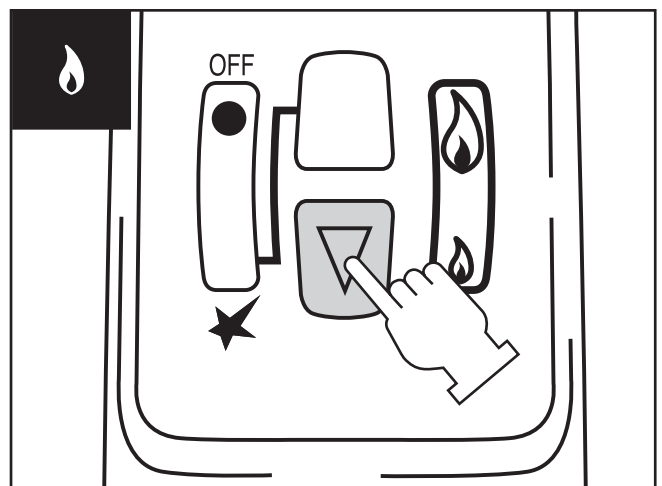
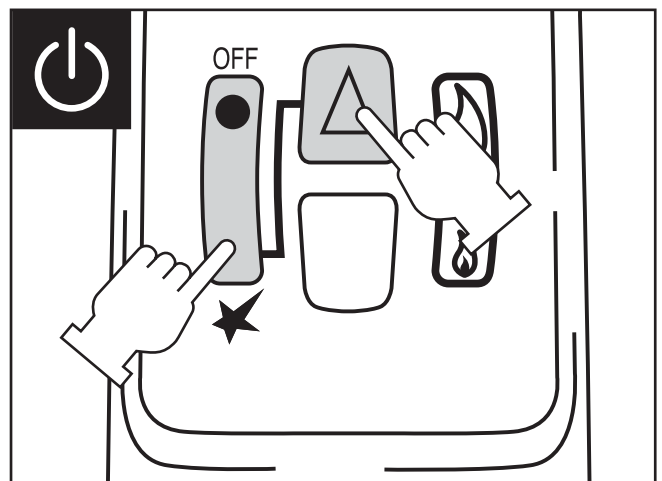
⚠ WARNING! Not to throw rubbish on or otherwise to disturb the flue bed.

Flame adjustment

This appliance has a remote control (supplied) with the Off buttons and flame increase and decrease; Once switched on, it is possible to choose the power level of the appliance using the remote control.

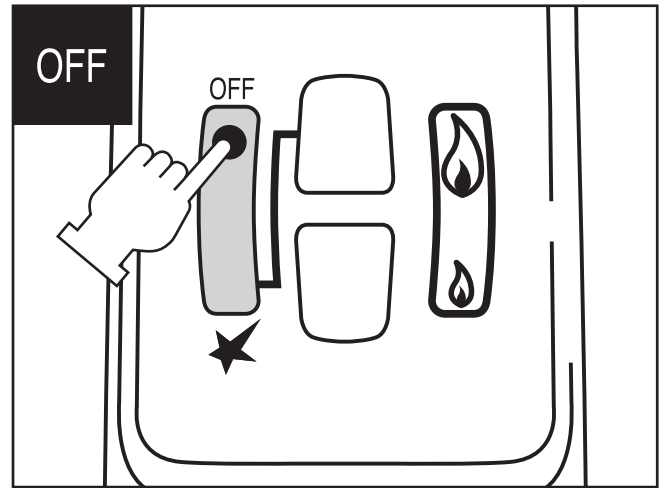
- Press the "triangle DOWN" button on the remote control to reduce the intensity of the flame.
- Press the "UP triangle + spark" keys to increase the flame intensity.

⚠ Increasing the intensity of the flame through the use of two keys is a safety measure designed by the Manufacturer to avoid involuntary and sudden flames.



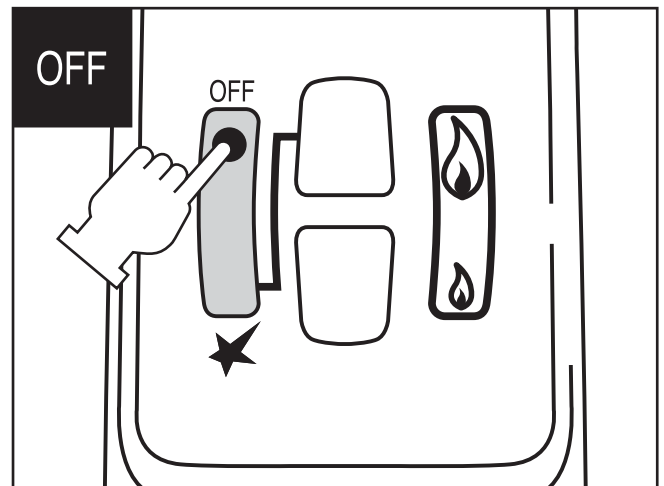
Switching off the appliance

- Press the “OFF” button on the remote control for a few seconds
The appliance can be switched off from any heated position.

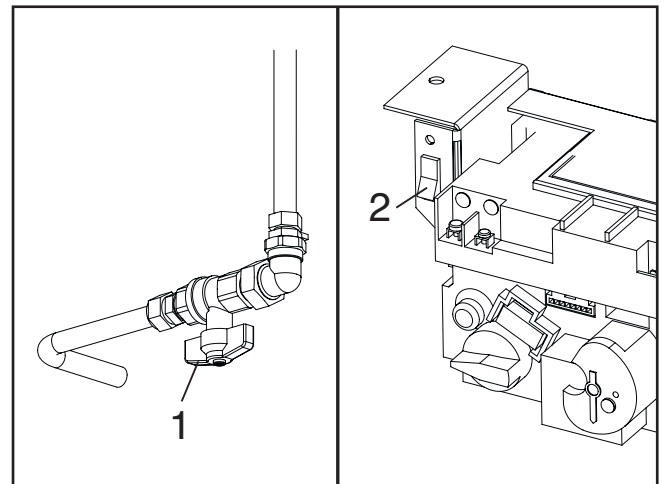


Switching off the appliance for long periods

- Press the “OFF” button on the remote control for a few seconds
The appliance can be switched off from any heated position.



- Close the gas valve (1)
- Bring the electrical switch (2) near the valve to position “0” to preserve battery life
The system is equipped with a safety lock that prevents it from turning on until it is deactivated (deactivation may take a few minutes).
- Close the gas tap upstream of the valve

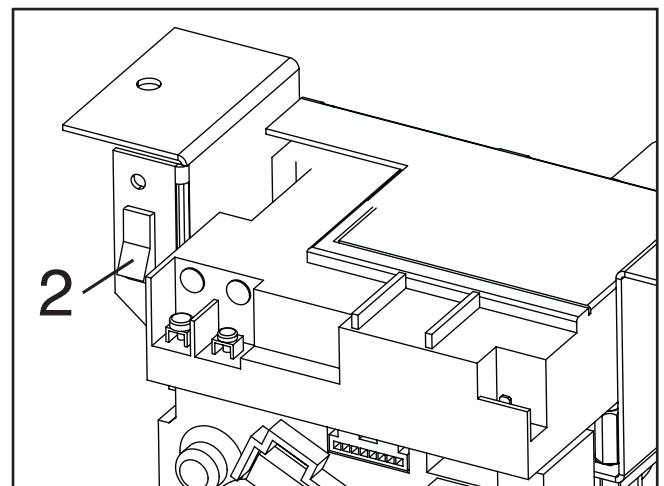


Non powering

Failure to turn on the appliance may be due to:

- Insufficient gas
- No body spark
- Pilot burner obstructed


⚠ For quick and complete shutdown in case of danger immediately place the electrical switch (2) in the “0” position.



MANUAL MODE

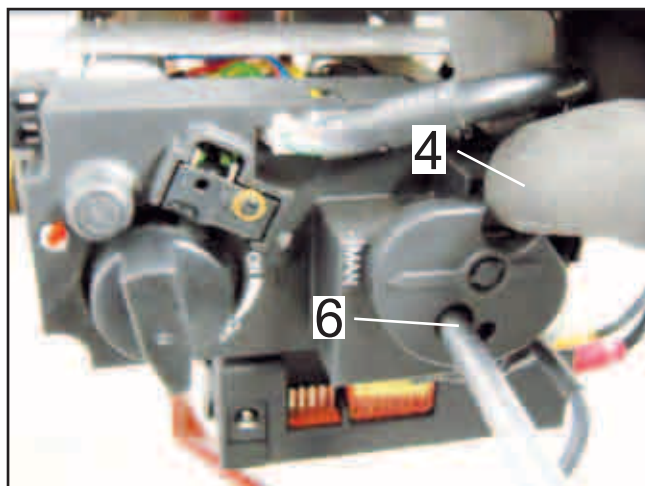
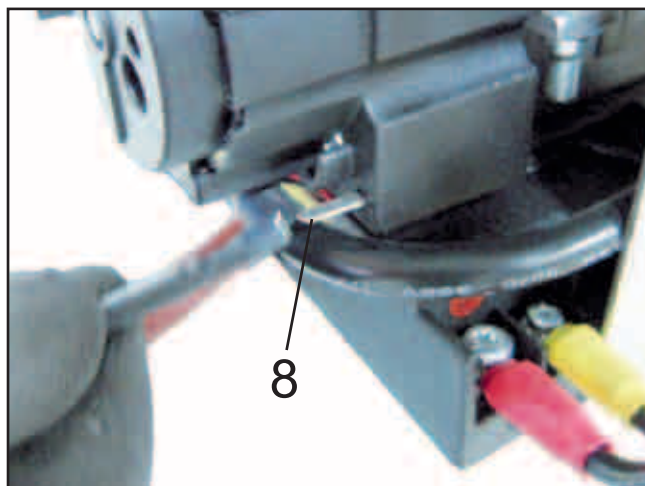
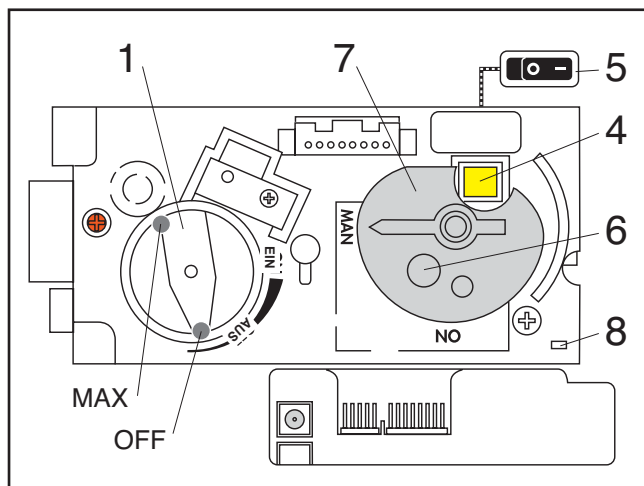
The appliance is designed to work with the remote control, but can also be controlled in manual mode by acting on the gas valve.

Manual mode is recommended in the event of loss of the remote control or during the extraordinary maintenance phases by the Manufacturer's authorised technical assistance.

 **The device in manual mode, requires some operations to be performed on the valve, before its use.**

Switching on

- Open the gas supply valve.
- Turn on the valve unit by setting the switch (5) to "I";
- Set the adjustment knob (1) to "OFF";
- Turn the knob (7) to manual "MAN";
- Disconnect the ignition cable from the rear connection (9) and insert it into the faston (8);
- Insert a screwdriver into the hole (6) and keep the magnet shank pressed;
- Press the piezoelectric power button (4), with the magnet leg pressed, until the pilot flame is lit. Press and hold the Magnet Leg for approximately 10 seconds, to allow adequate heating of the Thermocouple;
- Remove the screwdriver, releasing the magnet shank;
- Turn the knob (7) to automatic "NO";
- Turn the knob (1) from "OFF" to "MAX" as required.



PROTECTION

For this type of appliance it is necessary to respect the warnings of danger of naked flames, for persons such as children or disabled people who are able to approach without the slightest precaution.

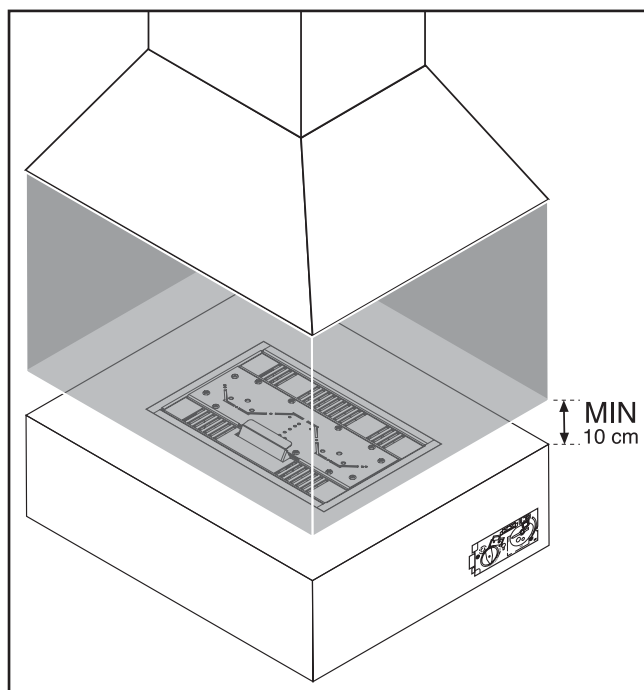
The protection can be made using only flame-retardant materials.

⚠ **The protection is not a component supplied with the appliance.**

⚠ **The protection cannot be fixed to the appliance in any way; it must be self-supporting and removable to allow easy access to the appliance.**

⚠ **To create the glass protection, use only the tempered type and with a minimum thickness of 4mm.**

- do NOT interfere with the chimney flue.
- do NOT wear the protection until touching the appliance. Always maintain a distance of MIN 5 cm between the protection and the outer edge of the appliance.
- ensure the correct quantity of air for combustion, MIN 10 cm high from the firebox surface.



ORDINARY MAINTENANCE

Appliance

Proper ordinary maintenance is necessary for correct operation of the appliance:

- if the appliance is used with battery power, these must be checked/replaced at least once a year. Alkaline batteries, if not used for long periods, tend to generate corrosive liquids that can damage certain components (see wiring diagram). To eliminate this problem, it is advisable to purchase the power supply kit accessory.
- for all cleaning operations on the appliance and accessories, do not use steam cleaners to avoid compromising their aesthetic and functional appearance.

Installation environment

Correct maintenance of the environment in which the appliance is installed is necessary for its correct safe operation:

- Make sure that the chimney flue for flue gas exhaust is clean and free from any obstruction.
- Make sure that the ventilation openings of the room where the appliance was installed are always free from any obstruction to ensure the necessary air supply into the environment.



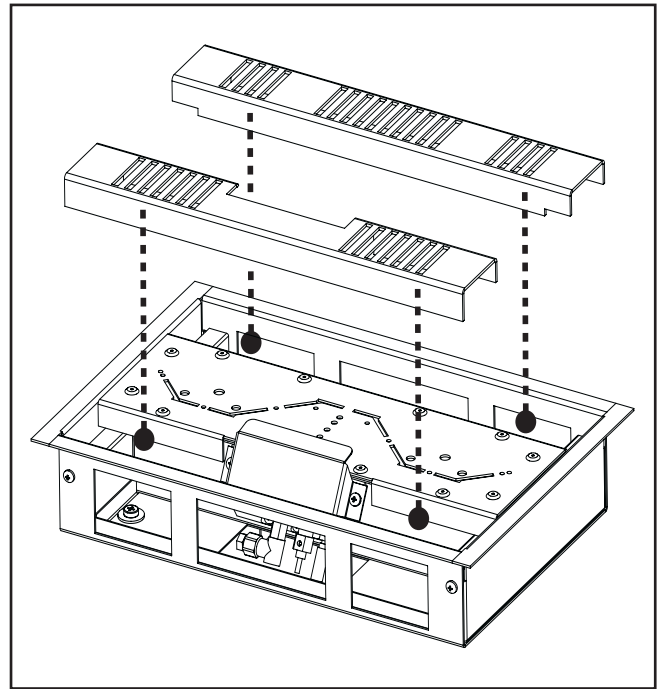
REMOVABLE PARTS

The appliance includes removable parts without the use of tools. They are essential components for safe operation of the appliance. As such, following installation it is necessary to take the utmost care in positioning them in order to avoid damaging them.

Removable parts:

- are the accessories located on the burner such as ceramic wood, fiber-ceramic embers or stones. Their arrangement on the burner surface is indicated in the instructions of the accessory and cannot be modified as desired by the user or installer.

- are the grids on the burner surface. These are essential for the correct air supply to the burners and their location is unique. If for any reason they are removed, they must be repositioned correctly before using the appliance.



EXTRAORDINARY MAINTENANCE

As the firebox is open, dust and other foreign matter may be deposited on it. In this case, extraordinary maintenance will be required to clean the appliance.

Before beginning, make sure that:

- the appliance has been off for at least one hour
- the main electrical switch is in position "0"
- the gas tap upstream of the valve is closed
- Always use gloves and a mask to move the firebox furniture (wood, embers or stones)

Proceed as follows:

⚠ All cleaning operations must be carried out being sure not to damage or scratch any of the painted surfaces.

- remove the firebox furniture paying close attention to the fragility of the individual pieces.
- remove any debris accumulated on the firebox.
- clean until dry the individual ceramic pieces with a brush.
- clean until dry the firebox (burner area and grids) with a brush.
- reposition the firebox furniture in the same order as before (see accessory instructions).

⚠ For all cleaning operations on appliance and accessories, do not use steam cleaners to avoid compromising their aesthetic and functional appearance.



The firebox can be furnished:

- without stones or wooden kit
- with a wood kit proposed by the Manufacturer
- with a stone kit proposed by the Manufacturer
- with stones not listed with dimensions from 15mm to 40mm, in marble, stone or river. The stones must be natural without chemical treatments or painted and free from dusty residues.

⚠ It is not permitted to use stones and wood together on the firebox.

⚠ The stones or wood must be arranged as shown in the instructions contained in the packaging of this accessory.

⚠ Incorrect or random positioning of the furniture alters the performance of the appliance, the height and the colour of the flame.

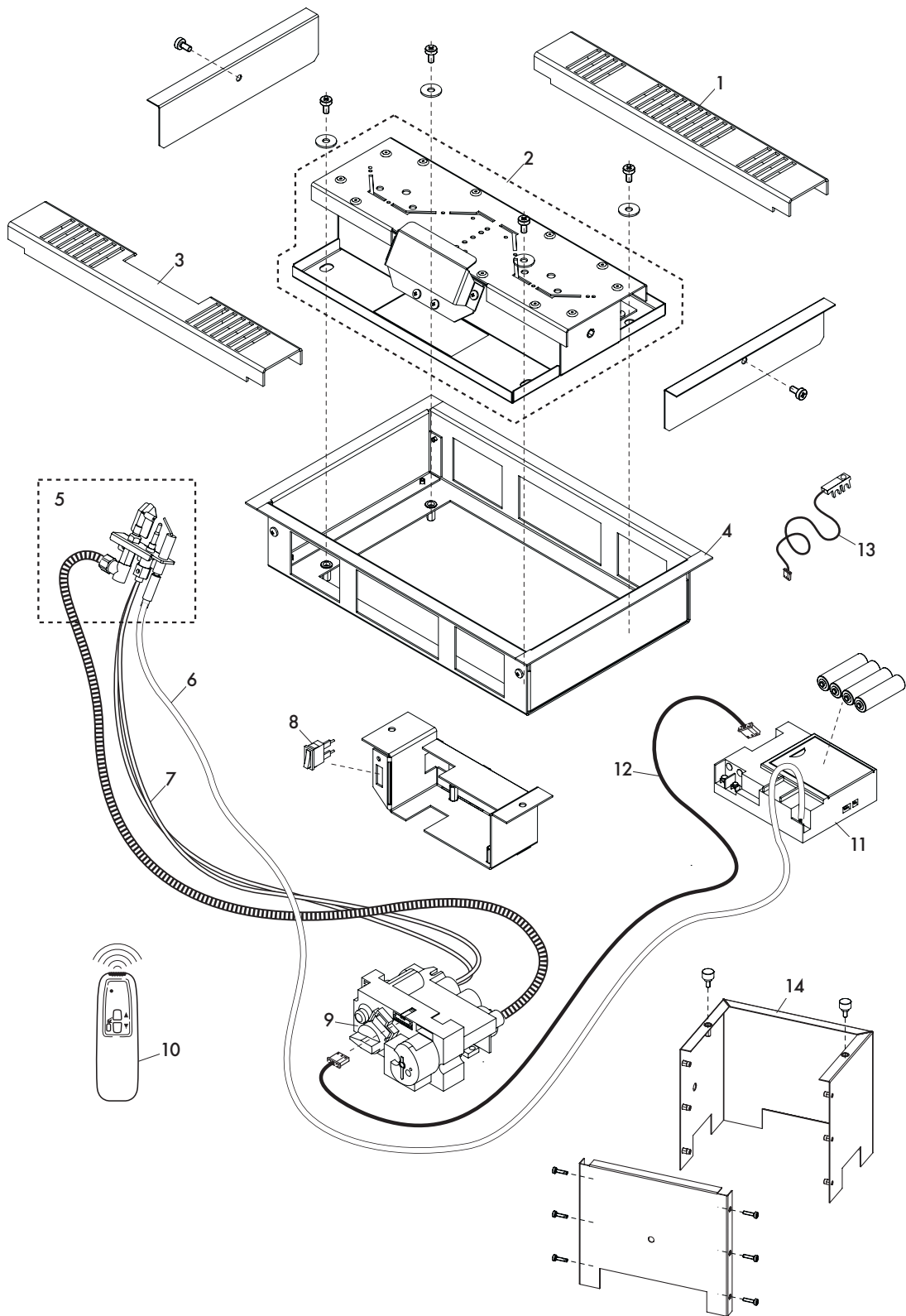
⚠ Only use embers, ceramic logs and river pebbles supplied with the KIT, do not add other ones and comply with the arrangement indicated by the Manufacturer.

⚠ Always use original parts or spare parts supplied by the Manufacturer. Installation must be carried out by personnel authorised by the Manufacturer or by a qualified technician.



SPARE PARTS

	description	40	60	80	130	180	180C
1	Burner grate	80011364 00	80011366 00	80011368 00	80011370 00	80011372 00	80011418 00
2	Gr. Natural Gas Burner	80011394 00	80011396 00	80011398 00	80011400 00	80011402 00	80011424 00
2	Gr. LPG burner	80011395 00	80011397 00	80011399 00	80011401 00	80011403 00	80011425 00
3	Burner grate	80011374 00	80011376 00	80011378 00	80011380 00	80011382 00	80011420 00
4	Burner Frame	80011384 00	80011386 00	80011388 00	80011390 00	80011392 00	80011422 00
5	Gr. Natural gas ignition			80011404 00			
5	LPG ignition Unit			80011405 00			
6	Ignition cable			80011406 00			
7	Thermocouple			80011145 00			
8	On/Off Switch			80011148 00			
9	Gas valve			80011149 00			
10	Std remote control			80011038 00			
11	Control unit			80011087 00			
12	Cable from board to valve			80011259 00			
13	Infra-red sensor			80011294 00			
14	Protective cover			80011432 00			





ITALKERO S.r.l. . via Lumumba 2 . Zona Ind. Torrazzi . 41122 Modena . Italy . Tel +39 59 2550711 . FAX +39 059 4900500 . www.italkero.it

NOTA: Nel continuo perfezionamento del prodotto, le caratteristiche estetiche e dimensionali, i dati tecnici, gli equipaggiamenti e gli accessori, possono essere soggetti a variazione.

NOTE: Due to ongoing product upgrading, aesthetic and dimensional features, technical details, fittings and accessories could undergo changes and are not binding.

NOTE : En vue de l'amélioration continue des produits, les caractéristiques esthétiques et de taille, les données techniques, l'équipement et les accessoires peuvent être modifiés.

HINWEIS: Im Bestreben unsere Produkte kontinuierlich zu verbessern, können maßbezogene und ästhetische Eigenschaften, technische Daten, Ausrüstungen und Anlagen sowie Zubehörkomponenten Veränderungen unterworfen sein.