



Italkero

Gas heating
- firebox insert -
INDOOR or OUTDOOR USE



Focus

40 - 60 - 80 - 130 - 180

INSTALLATION and
MAINTENANCE

CE

51CO4342

COMPLIANCE

Our equipment is conforming with:

- Regulations (UE) 2016/426 (GAR)
- Electromagnetic Compatibility Directive 2014/30/UE
- low Voltage Directive 2014/35/UE
- Regulations RAEE 2012/19/UE



RANGE

Focus	40	60	80	130	180
insert brazier	BN05A0 M0000	BN07A0 M0000	BN09A0 M0000	BN13A0 M0000	BN18A0 M0000

Dear Technician,

Congratulations on having chosen our appliance. This unit is able to provide many years of well-being with extremely high standards of efficiency, reliability, quality and safety.

By means of this booklet, we intend providing you with all the information we consider necessary for correct and easy installation.

Thank you once again

The Manufacturer

WARRANTY

WORLDWIDE

Manufacturer warrants compliance of the manufacturing proceeding to EC regulations applicable to products and in force at the moment. Manufacturer warrants product free from defects in materials and workmanship. This appliance benefits of statutory warranty only if it is fitted in accordance with the Manufacturer's instructions

FOR EUROPEAN UNION ONLY

The product benefits from the European 2-year warranty throughout the product, including the electronic components; with the exception of crystals, doors, interior and general decoration, all pieces that are consumable or subject to deterioration.

CONTENTS

GENERAL

General information	pg. 5
Fundamental safety rules	5
Description of the appliance	6
Identification	6
Structure	7
Technical data	8
Accessories	8
Wiring diagram	9
Control panel	10

INSTALLATOR

Receipt of product	11
- Dimension and weight	12
Installation	13
- Positioning the appliance	13
- Placing device	17
- Compartment housing	17
- Flue	18
- Irradiation area	20
- Installation	20
- Cover the model	21
- Safety	21
- Log set and pebbles	22

TECHNICAL SERVICE

- Manual control	23
- Remote control IR	24
- Replacing the batteries	25
- Manual operating	26
- Power supply	27
- Routine maintenance	28
- Faults and solutions	28
Useful information	29

In same parts of the book there are used these symbols:











Attention: it used to underline particular caution or actions.





Prohibited: it used to underline the actions that don't half to be executed.

GENERAL INFORMATION




-  After removing the packaging, check the integrity and completeness of the supply and in case of any discrepancies, contact the Agency that sold the appliance.
-  The appliance must be installed by companies approved pursuant to Law no. 46 dated 5 March 1990. Upon completing the installation, such companies must issue a declaration of installation conformity in accordance with applicable national laws and the instructions provided by the Manufacturer in the installer's booklet attached to the product.
-  The appliance must only be used for the purpose intended by the Manufacturer and for which it has been expressly designed. The Manufacturer disclaims any contractual and non-contractual liability for injuries caused to people or animals and damage to things, due to installation errors, wrong settings, bad maintenance or improper use.
 - If the appliance is not used for a long period:
 - position the master switch of the appliance on „off“
 - position the master switch of the system on „off“ or disconnect the plug from the power mains (if fitted);
 - remove the batteries from the device control unit;
 - close the gas tap.
-  This booklet is an integral part of the appliance and must therefore be looked after carefully and must ALWAYS accompany the appliance, even when this is transferred to another owner or user, or else transferred to another system.
-  In case of damage or loss, ask the Technical Assistance Service of your Area Manufacturer for another copy.
-  This appliance features a hearth with ashes and ceramic billets containing refractory ceramic fibre made up of artificial vitreous silicate fibres. When handling these materials therefore, avoid creating excess dust. Prolonged exposure to these materials can cause irritation of the eyes and skin and breathing problems. If one of the ash or billet components is replaced, always seal the removed parts in a bag and dispose of them through authorised channels.
-  **IMPORTANT! BEFORE LIGHTING THE APPLIANCE, CAREFULLY READ ALL THE INSTRUCTIONS AND PRECAUTIONS IN THIS BOOKLET.**
-  The unit can be used indoors or outdoors both domestic and commercial.



FUNDAMENTAL SAFETY RULES

Please remember that the use of products involving fuels and electricity requires the enforcement of a number of fundamental safety rules such as:

-  Children and unassisted disabled persons must not use the appliance.
-  Do not start electric appliances or equipment, such as switches, household appliances etc in case of a smell of fuel or of combustion fumes.

In this case:

 - ventilate the premises by opening the doors and windows;
 - close the fuel opening/closing device;
 - immediately call the Manufacturer's After-Sales Service or professionally skilled personnel.
-  Do not touch the appliance with wet or damp parts of the body or if your feet are wet.
-  Cleaning is forbidden without first disconnecting the appliance from the power mains by turning the master switch, if fitted, to „OFF“ or taking out the plug.
-  Do not pull, disconnect or twist the power cables exiting from the appliance even when this is disconnected from the power mains.

Do not place objects, such as towels, rags, etc., on the appliance which could cause malfunctions or prove to be a hazard.
-  Never leave packaging material (cartons, plastic bags, etc.) within reach of children as this could be a potential hazard source.
-  If the unit is installed outdoors:
 - Do not use in case of rain;
 - Protect the unit with the appropriate coverage during periods of non-use.**The cover should be applied with burner off and completely cold**
The cover should be removed before lighting the burner.

DESCRIPTION OF THE APPLIANCE

This device is for decorative purposes.

Independent gas appliances for heating environments. They feature an atmospheric burner with combustion chamber TYPE B with open flame.

The combustion air is drawn directly from the room where the appliance is installed.

- Installation INSIDE

The discharge of combustion products may take place in the chimney canalizzandoli with direct connection to the asterno, size MIN Ø18cm.

The natural convective movement permits quick heating of the environments from when the appliance is switched on.

- Installation OUTSIDE

If the unit is installed outdoors is not required to achieve a chimney for exhaust fan (see chap. Location of the unit).

An electronic board controls all the main functions of the appliance and automatically interrupts the gas supply in case of a fault.

The remote control features: appliance On/Off supply, heat output setting and operating condition reset after a fault.

⚠ The device was built with materials and components to withstand humidity and low temperatures, nevertheless not be considered fully water resistant.

⚠ The appliances are factory set, to operate with Natural Gas, but are also available for LPG (G30/G31).

This type of appliance can be transformed from Natural Gas to LPG and vice versa with replacing the burner.

The gas type and pressure used for operation are shown on the technical data plate affixed to the appliance.

Do not change the factory settings of the gas control unit or receiver before installation.

The burner and pilot light are factory set by the Manufacturer.

The appliance must be connected to the gas type shown on the burner. Never ever connect a Natural Gas burner to the LPG supply or vice versa.

IDENTIFICATION

The appliance can be identified by means of:

- the packaging label

showing the name of the product, the code, the serial number and the type of gas that can be used.

- The Technical Plate

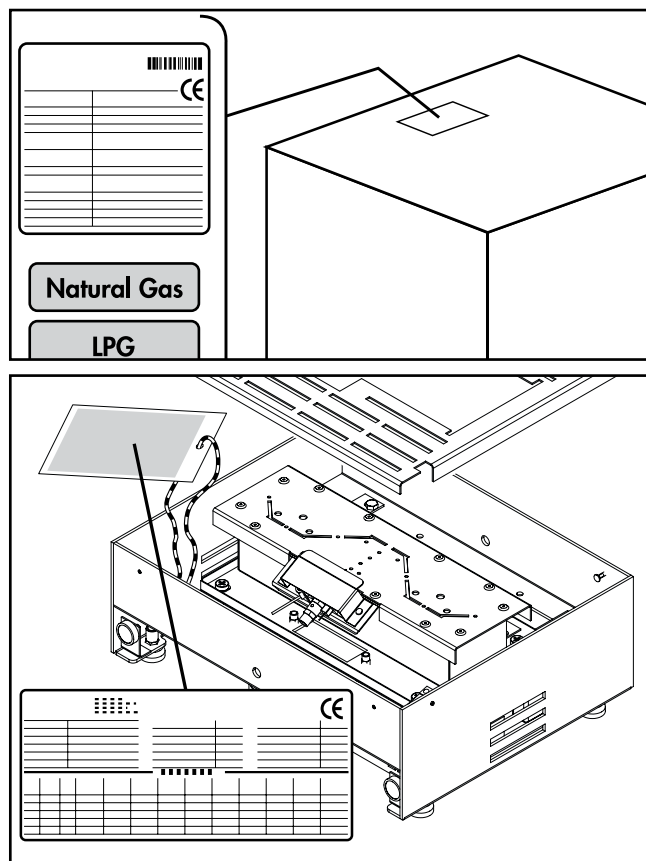
showing the serial number, the model and the main technical-performance data.

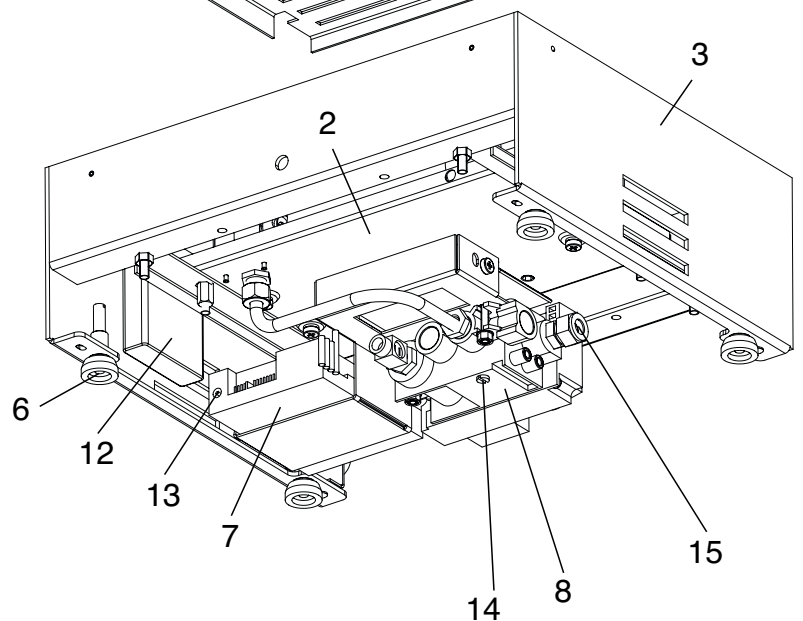
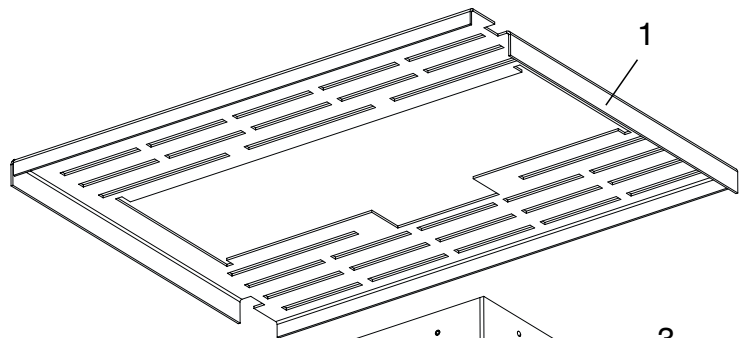
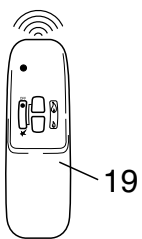
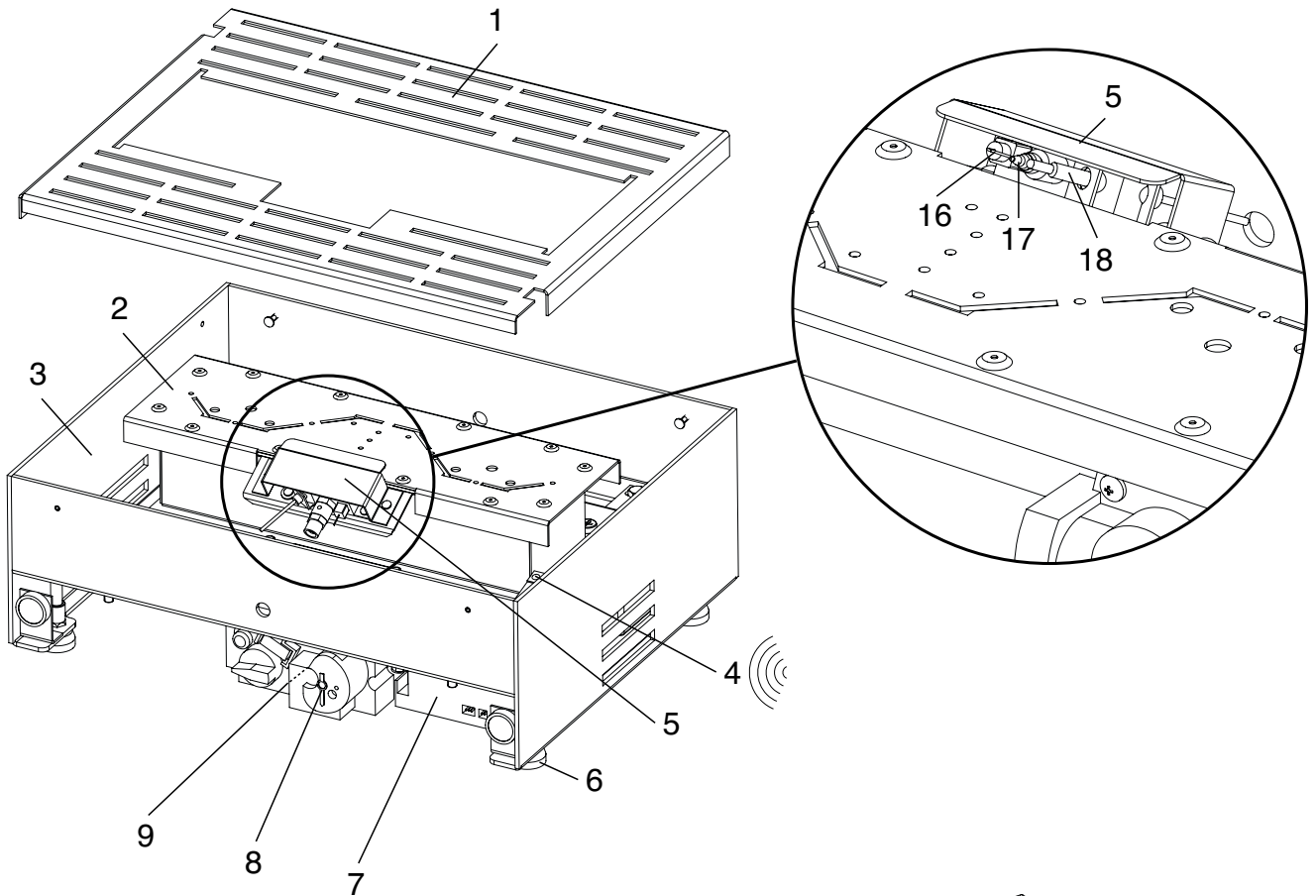
- The gas type plate

Showing the name of the gas for which the appliance has been set and regulated. If the type of gas is changed, this plate must be replaced with that of the new gas!

⚠ Spare parts and/or technical jobs require the exact identification of the associated model of appliance.

Tampering with, removing or the absence of the Technical Plate, etc. does not allow the exact identification of the product, making any installation and maintenance job difficult.





- 1 - Burner Cover
- 2 - Burner
- 3 - Frame
- 4 - Receiver
- 5 - Power group
- 6 - Adjustable foot
- 7 - Card flame control
- 8 - Gas valve
- 9 - MAX screw adjustment
- 12 - Battery holder
- 13 - Power supply 6V DC
- 14 - MIN screw adjustment
- 15 - Input gas network
- 16 - Ignition
- 17 - Pilot with Atmosphere sensing device
- 18 - Thermocouple
- 19 - Infrared remote control

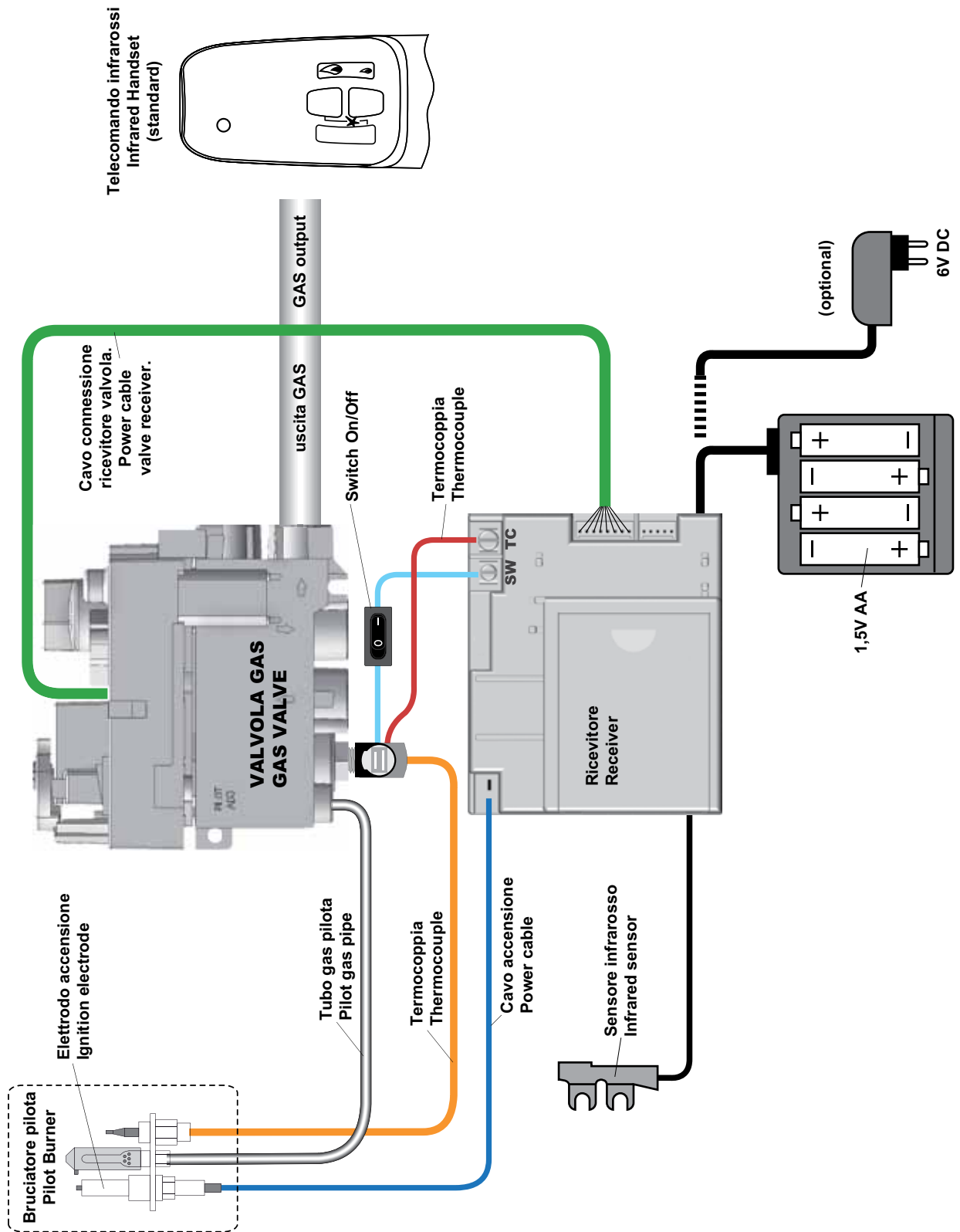
TECHNICAL DATA

modello	40	60	80	130	180 - 180c	u.m.
Portata max (p.c.i)	8,3	10	10	12	15	kW
Portata min (p.c.i)	3,3	4	4	5	8	kW
Tipo scarico	B _{AS}					
NOx	4			5		classe
Consumo G20 Nom./Rid.	0,878/0,349	1,057/0,423		1,269/0,529	1,586/0,846	m ³ /h
Consumo G30 Nom./Rid.	0,654/0,256	0,788/0,315		0,946/0,394	1,182/0,630	Kg/h
Consumo G31 Nom./Rid.	0,644/0,256	0,776/0,310		0,931/0,388	1,164/0,621	Kg/h
Press. nom. alim. G20/G30-G31	20 / 28-30/37					mbar
Press. nom. ugelli G20/G30-G31	11 / 28-30/37			10 / 28-30/37	10 / 28-30/37	mbar
Press. nom. ugelli G20/G30-G31 Rid.	2/5				3/9	mbar
Ø ugello bruciatore G20/G30-G31	2,6/1,45	2,9/1,6		2,3/1,25	2,7/1,4	mm
Ugello bruciatore	1			2		nr
Ugello pilota	0,35/0,25					cod.
Alimentazione (optional)	6VCC (230VAC)					V
Potenza assorbita	0					W
Tubo attacco gas	3/8" - Ø10					Ø mm
Batterie telecomando (nr. 1)	9V PP3					tipo
Batterie U.tà ricevente (nr. 4)	1,5V AA					tipo
Protezione	IP20					
Categoria gas	I 2H - I3+ I3B/P					
Tubazione scarico fumi MIN	180					Ø mm

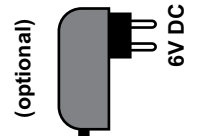
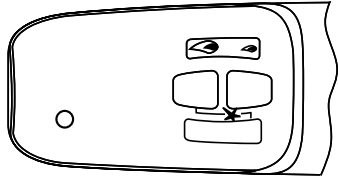
ACCESSORIES

DESCRIPTION
Log set KIT
River pebbles KIT
KIT connection power
Wiring connection to gas exhauster.
Stainless steel rain cover for outside installation.

ELECTRICAL SCHEME



Telecomando infrarossi
Infrared Handset
(standard)



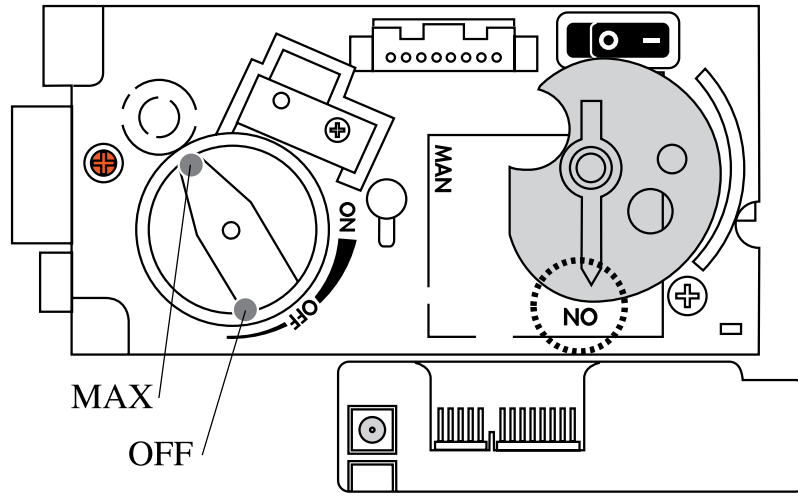
(optional)

6V DC

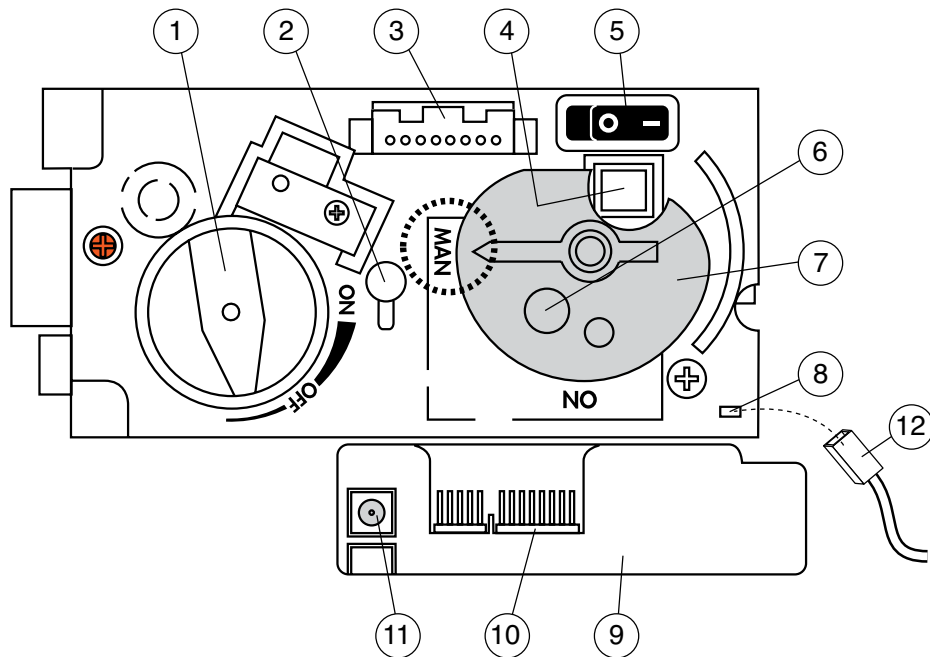
1,5V AA

CONTROL PANEL

Automatic operation position with REMOTE CONTROL



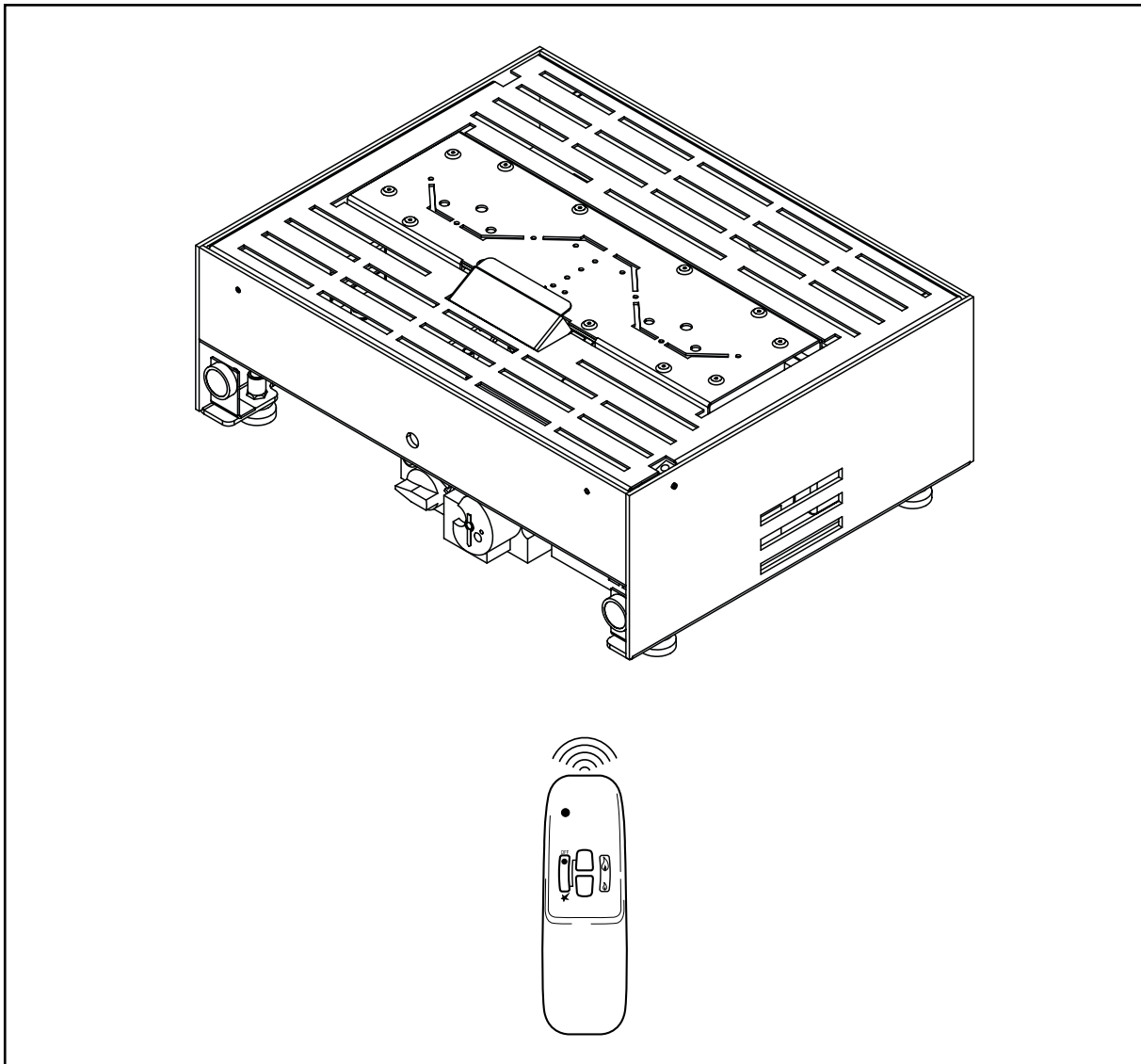
MANUAL Operation position



- 1 - Adjustment knob
- 2 - MAX gas adjustment screw
- 3 - Flame control Valve/Board connector
- 4 - Piezoelectric ignition button (emergency)
- 5 - O-1 switch
- 6 - Magnet switch for manual operation (emergency)
- 7 - Manual operation position knob
- 8 - Piezoelectric connector wire
- 9 - Flame control board
- 10 - Flame control Valve/Board connector
- 11 - Power socket - 6V DC
- 12 - Cable to be disconnected from the unit and connect on position 8

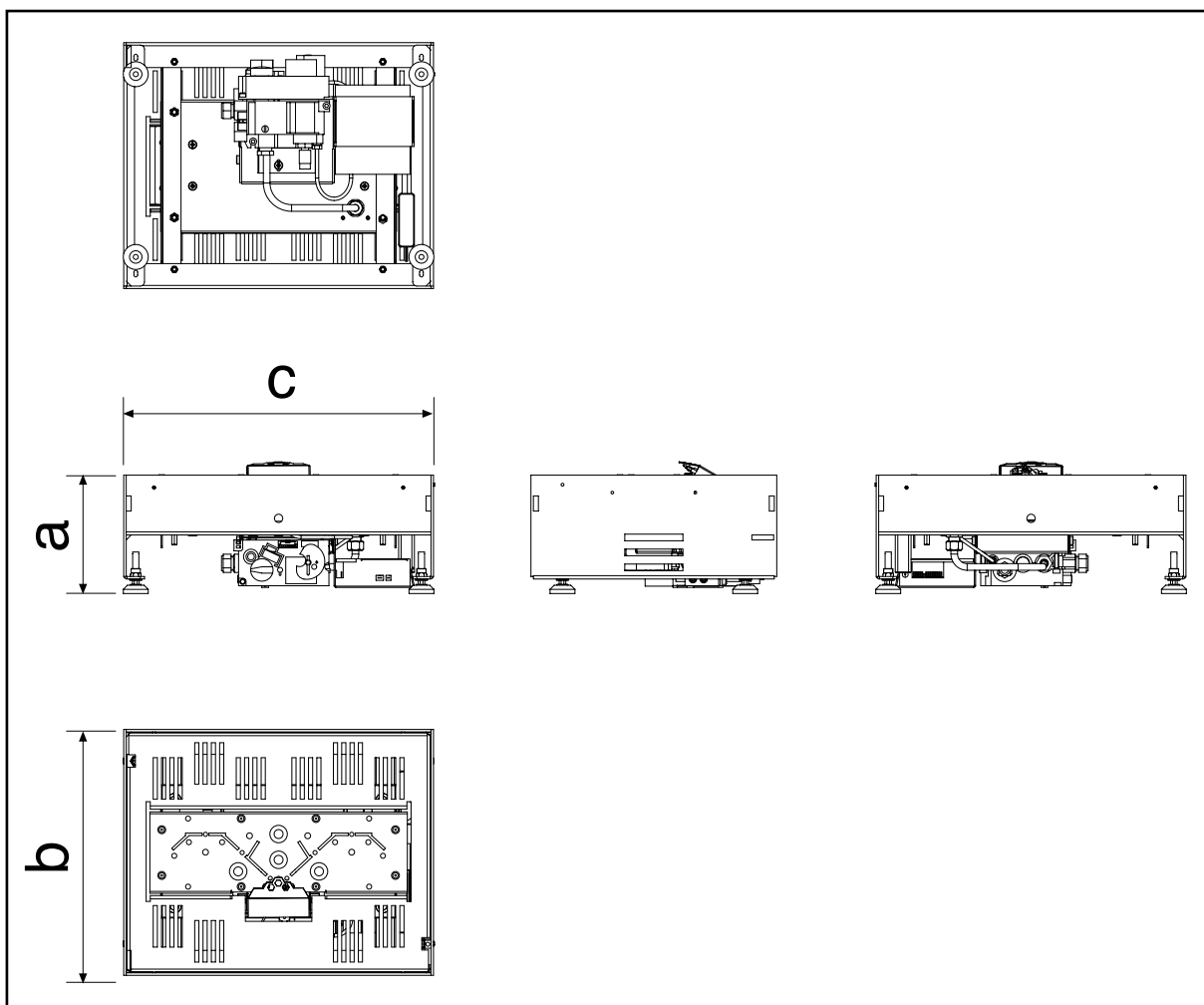
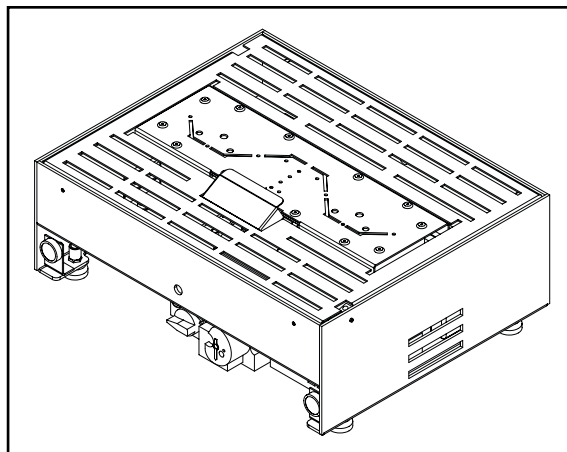
The model comes with:

- No. 1 Appliance
- No. 1 Remote On/Off Standard
- No. 4 Adjustable feet
- No. 1 Bag of documents:
 - No. 1 Instructions for the User
 - No. 1 Instructions for the installer
 - No. 1 Warranty
 - No. 1 Labels Warranty



DIMENSION AND WEIGHT

DESCRIZIONE	40	60	80	130	180	
Larghezza (C)	373	506	774	1307	1857	mm
Profondità (B)	296	296	296	296	296	mm
Altezza (A)	140	140	140	140	140	mm
Peso netto	9,2	11	14,5	21,5	28,5	kg



GENERAL INFORMATION

- Clean the existing chimney before installing the device and before a trial evacuation of combustion products, according to the national regulations.
- When installing, NEVER use accessories or component parts not approved by the Manufacturer, as these could be very dangerous.
- DO NOT allow the power cable (if present) to come into contact with hot surfaces such as, for example, the air vents or fume exhaust pipes.

After installation, the fitter is obliged to inform the user what to do during appliance operation:

- NEVER place curtains, towels and the like on the appliance as this could be the cause of malfunction and danger and prevent the correct circulation of air in the room.
- DO NOT obstruct the suction/exhaust ends of the appliance with washing put out to dry or carpets.

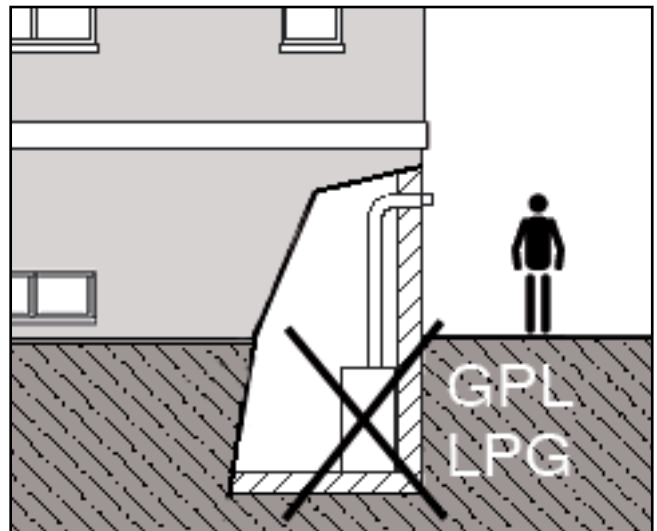


POSITIONING THE APPLIANCE

⚠ This device must be installed according to the rules in force and used only in an adequately ventilated. See the instructions before installing and using this appliance indoors or outdoors.

⚠ In the case of LPG appliances, these cannot be installed in premises which have floors below the outside walk-on surface or communicating with such type of environment.

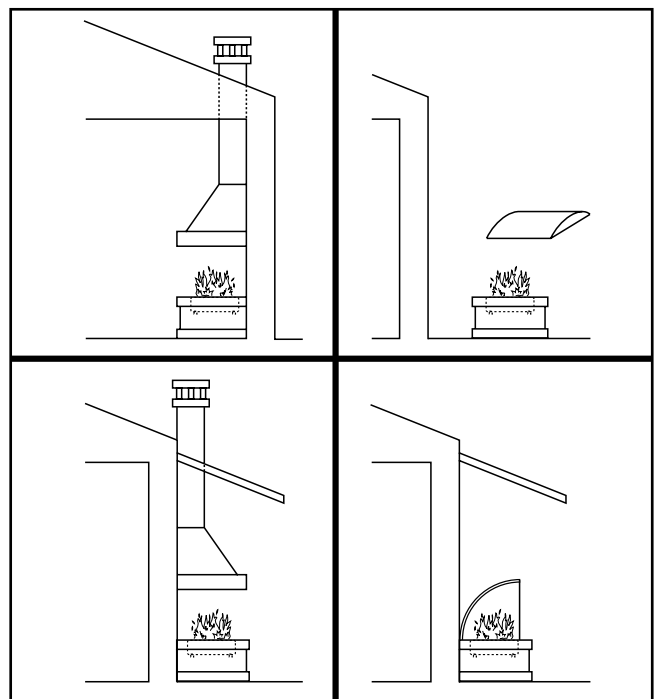
Before proceeding with the masonry works, make sure the floor has adequate load-bearing capacity and that there is room enough for the correct operation of the gas Appliance as well as its maintenance. Make sure the wall on which the appliance is fastened is able to support its weight. Make sure there is no wood matchboard, plastic material, etc., that is not heat resistant.



⊘ Installing the Appliance in spare bathroom areas or close to water dispensers is forbidden. These particular installations require special protections in compliance with applicable Electric Safety standards.

Gas supply

The correct operation of the appliance also depends on the size of the pipes. Comply with the standards in force in the country where the device is installed.



Aspects to be respected for INSTALLATION:

Can be installed in any type of indoor space except for garages, warehouses containing combustible/flammable material. The internal installation environment requires ventilation openings, however, it must be possible to be ventilated with doors or windows communicating externally and openable.

It is forbidden to install the appliance in rooms where another wood-fired heat generating appliance has already been installed.

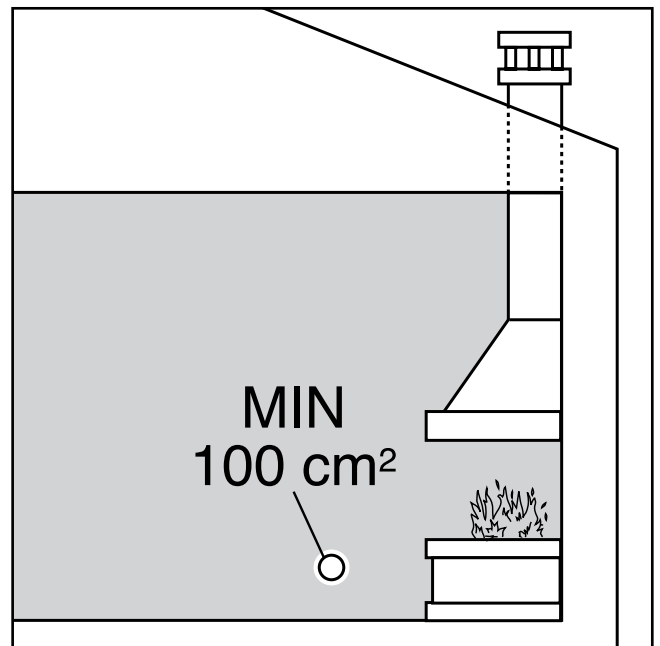
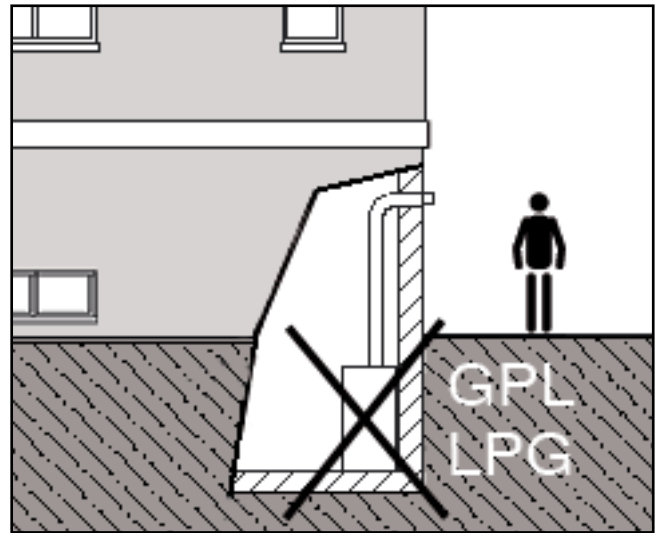
- Generally not permitted are rooms, garages, flammable material stores, bathroom and the presence of other gas/wood appliances that draw air from the environment for combustion,
- The ventilation/airing of the room must consider that the appliance is of the BAS type, therefore for correct operation it draws the combustion air from the environment in which it is installed and it is necessary to provide openings directly to the outside.

External air intake

the Safety Regulations provide for an external air intake of MIN 6 cm² for each kW of power installed in the environment: e.g. for 10 kW an opening with a surface of at least 60 cm² is required but it must be increased to at least 100 cm².

IMPORTANT: for safety reasons and in compliance with current regulations, the opening must never be less than 100 cm².

As an alternative to the outdoor air intake, it is possible to connect the appliances to a forced ventilation system to guarantee continuous air exchange, necessary for safety but also for the correct operation of the appliance.



COMPLIANCE WITH THE STANDARDS

For installation of this appliance it is always necessary to comply with the rules in force in the country in which it is to be used.

Elements to be respected for GAS CONNECTION:

 **For LPG appliances, all rooms with a floor below the external pedestrian floor or communicating with this type of environment are excluded.**

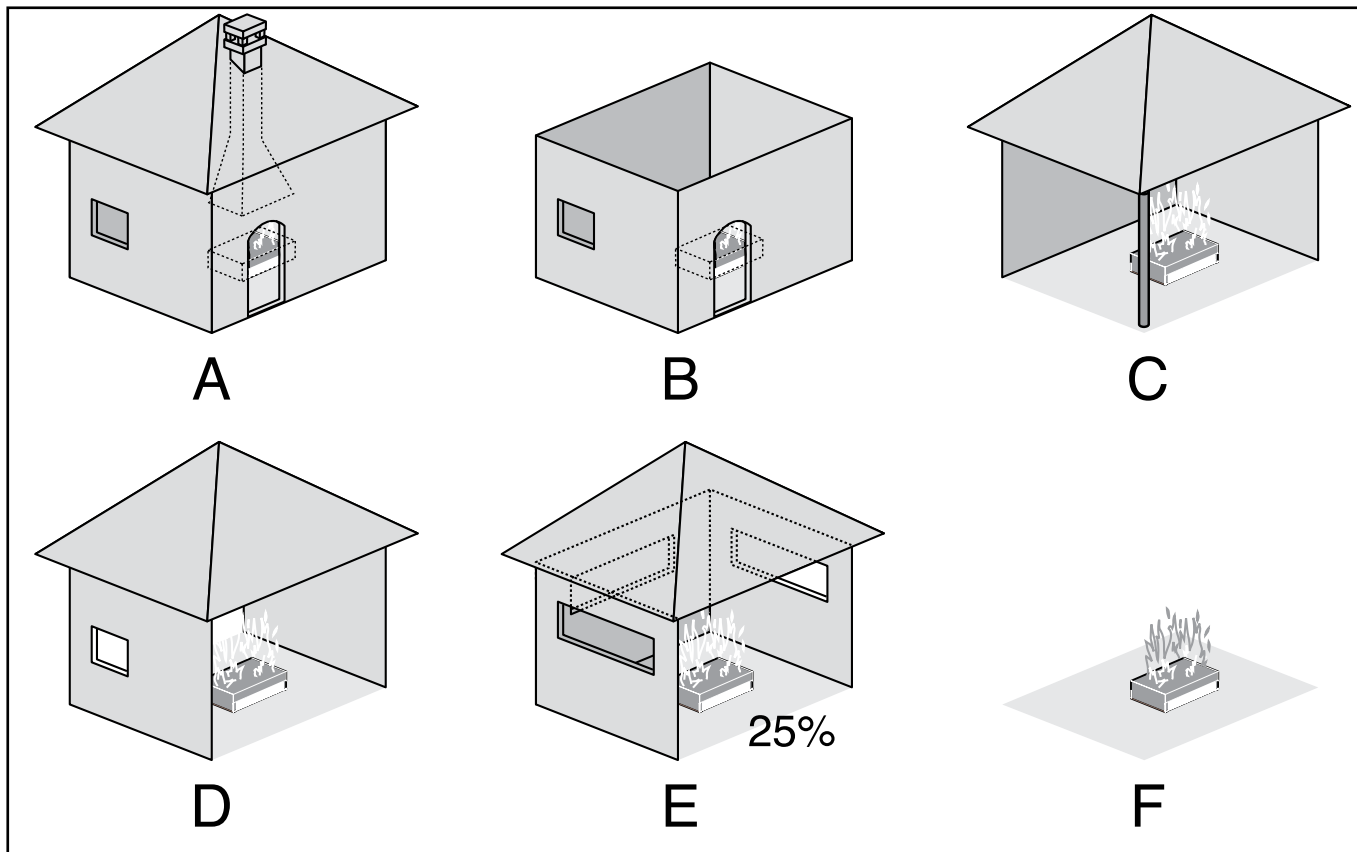
- Pipe size with reference to the thermal flow rate of the appliance.
- The positioning of the gas pipes must generally allow inspectability and maintenance at any time in the event of malfunctions.

NATURAL GAS · STEEL PIPE							
flow rate by volume (m ³ /h at 15°C) with density 0.6 with a pressure loss of 1.0mbar							
Threading (inches)	3/8	1/2	3/4	1	1 - 1/4	1 - 1/2	2
Inner diameter (mm)	13.2	16.7	22.5	27.9	36.6	42.5	53.9
Thickness (mm)	2	2.3	2.3	2.9	2.9	2.9	3.2
pipe length (m)	flow rate volume (m ³ /h)						
2	3.16	5.92	13.11	23.26	47.97	71.46	-
4	2.15	4.03	8.92	15.83	32.64	48.62	91.63
8	1.46	2.74	6.07	10.77	22.21	33.08	62.35
10	1.29	2.42	5.36	9.51	19.62	29.23	55.08
15	1.03	1.93	4.28	7.59	15.66	23.33	43.97
20	0.88	1.65	3.65	6.47	13.35	19.89	37.47
25	0.78	1.46	3.22	5.72	11.79	17.57	33.11
30	0.70	1.31	2.91	5.17	10.66	15.87	29.92
40	0.60	1.12	2.48	4.40	9.08	13.53	25.50
50	0.53	0.99	2.19	3.89	8.02	11.95	22.52
75	0.42	0.79	1.75	3.11	6.41	9.54	17.98
100	0.36	0.67	1.49	2.65	5.46	8.13	15.33

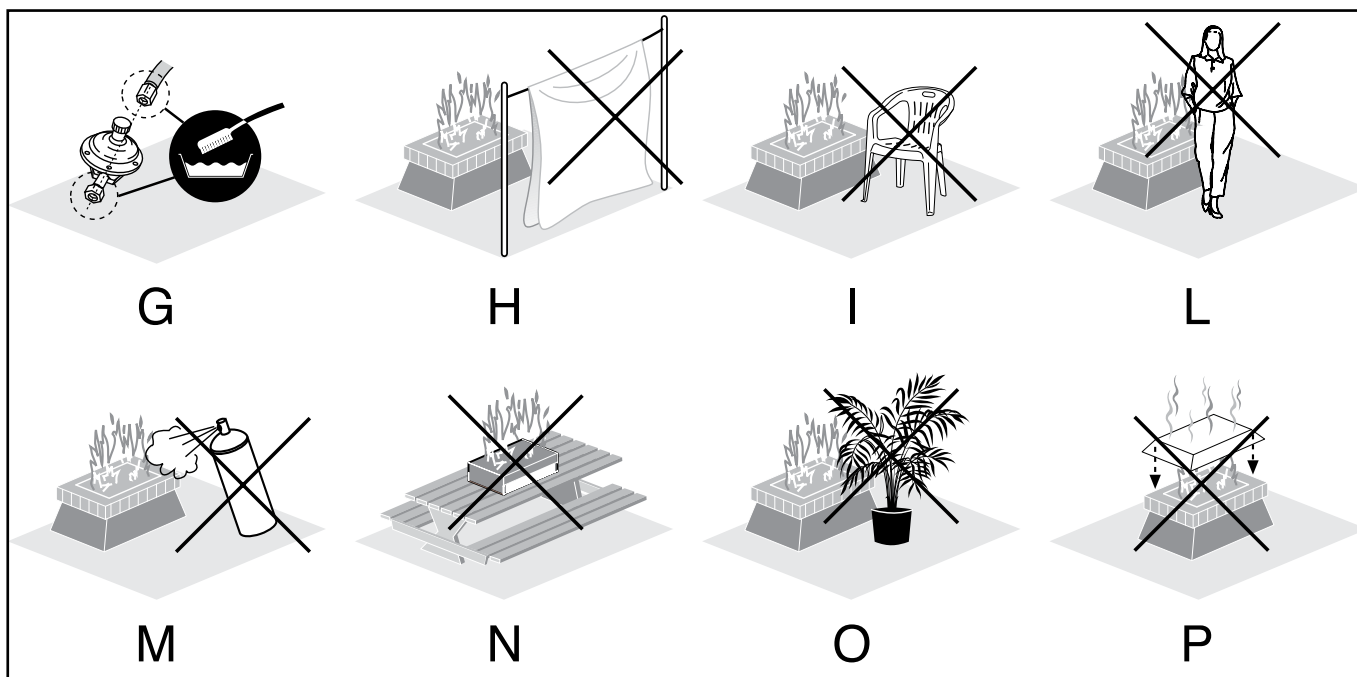
LPG · STEEL PIPE							
flow rate by volume (m ³ /h at 15°C) with density 1.69 with a pressure loss of 2.0mbar							
Threading (inches)	3/8	1/2	3/4	1	1 - 1/4	1 - 1/2	2
Inner diameter (mm)	13.2	16.7	22.5	27.9	36.6	42.5	53.9
Thickness (mm)	2	2.3	2.3	2.9	2.9	2.9	3.2
pipe length (m)	flow rate volume (m ³ /h)						
2	2.61	4.89	10.84	19.23	39.66	59.09	111.35
4	1.78	3.33	7.37	13.09	26.99	40.20	75.76
8	1.21	2.27	5.02	8.90	18.36	27.35	51.55
10	1.07	2.00	4.43	7.87	16.22	24.16	45.54
15	0.85	1.60	3.54	6.28	12.95	19.29	36.35
20	0.73	1.36	3.02	5.35	11.04	16.44	30.98
25	0.64	1.20	2.66	4.73	9.75	14.52	27.37
30	0.58	1.09	2.41	4.27	8.81	13.12	24.73
40	0.49	0.93	2.05	3.64	7.51	11.19	21.08
50	0.44	0.82	1.81	3.22	6.63	9.88	18.62
75	0.35	0.65	1.45	2.57	5.30	7.89	14.87
100	0.30	0.56	1.23	2.19	4.51	6.72	12.67

NATURAL GAS · COPPER PIPE							
flow rate by volume (m ³ /h at 15°C) with density 0.6 with a pressure loss of 1.0mbar							
External diameter (mm)	12	14	15	16	18	22	28
Inner diameter (mm)	10	12	13	14	16	20	26
Thickness (mm)	1	1	1	1	1	1	1
pipe length (m)	flow rate volume (m ³ /h)						
2	1.51	2.45	3.04	3.70	5.28	9.57	19.27
4	1.03	1.67	2.07	2.52	3.59	6.51	13.11
8	0.70	1.14	1.41	1.71	2.44	4.43	8.92
10	0.62	1.00	1.24	1.51	2.16	3.92	7.88
15	0.49	0.80	0.99	1.21	1.72	3.13	6.29
20	0.42	0.68	0.84	1.03	1.47	2.66	5.36
25	0.37	0.60	0.75	0.91	1.30	2.35	4.74
30	0.33	0.54	0.67	0.82	1.17	2.13	4.28
40	0.29	0.46	0.57	0.70	1.00	1.81	3.65
50	0.25	0.41	0.51	0.62	0.88	1.60	3.22
75	0.20	0.33	0.41	0.49	0.71	1.28	2.57
100	0.17	0.28	0.35	0.42	0.60	1.09	2.19

LPG · COPPER PIPE								
flow rate by volume (m ³ /h at 15°C) with density 1.69 with a pressure loss of 2.0mbar								
External diameter (mm)	12	14	15	16	18	22	28	35
Inner diameter (mm)	10	12	13	14	16	20	26	33
Thickness (mm)	1	1	1	1	1	1	1	1
pipe length (m)	flow rate volume (m ³ /h)							
2	1.25	2.03	2.51	3.06	4.37	7.92	15.94	30.09
4	0.85	1.38	1.71	2.08	2.97	5.39	10.84	20.48
8	0.58	0.94	1.16	1.42	2.02	3.66	7.38	13.93
10	0.51	0.83	1.03	1.25	1.79	3.24	6.52	12.31
15	0.41	0.66	0.82	1.00	1.43	2.58	5.20	9.83
20	0.35	0.56	0.70	0.85	1.21	2.20	4.43	8.37
25	0.31	0.50	0.62	0.75	1.07	1.95	3.92	7.40
30	0.28	0.45	0.56	0.68	0.97	1.76	3.54	6.68
40	0.24	0.38	0.48	0.58	0.83	1.50	3.02	5.70
50	0.21	0.34	0.42	0.51	0.73	1.32	2.67	5.03
75	0.17	0.27	0.34	0.41	0.58	1.06	2.13	4.02
100	0.14	0.23	0.29	0.35	0.50	0.90	1.81	3.42



- A) installed inside a closed environment with chimney.
- B) For outdoor installation without roof.
- C) outdoor installation, with no two adjoining walls.
- D) outdoor installation, with no two opposite walls.
- E) outdoor installation, with at least 25% of the open area.
- F) outdoor installation.



- G) before being put into operation, check and repair any leaks in the connections between the appliance and the gas pipe.
- H, I) may not place flammable materials in front of the unit, comply with the safety distances (see chap. Area of radiation).
- L) may not get too close or touch the appliance in operation or if it is off but still warm.
- M) Do not spray any product depending on the unit or if it is off but still warm.
- N) Do not install the appliance on mobile and not firmly anchored to the ground or on a wall.
- O) may not place animals or plants in front of the unit.
- P) may not place the cover on the unit still running or if it is off but still warm.

PLACING DEVICE

This type of apparatus can be installed in an existing chimney in which a new one constructed according to the size of the desired pattern or the space available.

In both cases, the device can be installed (indoors or outdoors) depending on technical or aesthetic:

- built-in fireplace

- built-in fireplace (indoors or outdoors)

In this case the unit is recessed in the floor of the firebox and leveled horizontally.

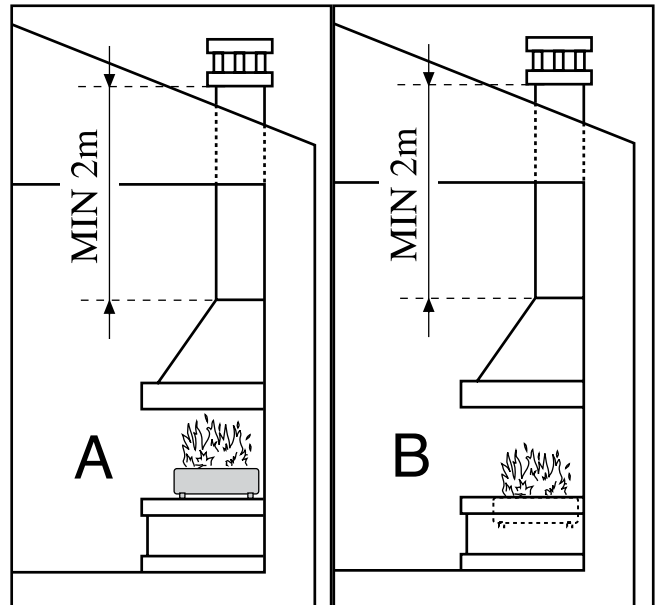
A space must be provided to house the door with gas valve (1), the distance between the burner and the door with gas valve is 1.7m max.

In the recess for the fitting of the appliance, an opening must be made to allow the passage of the gas valve and its subsequent fixing to the support door already fixed.

⚠ Connect the gas valve to the mains in such a way as to allow adjustment or replacement in the event of a fault. To access the burner unit, simply lift the upper grill.

When installed in an existing chimney:

- Remove or open up, any dampers and orifice plates;
- Clean the chimney and test the smoke evacuation, before installing the device.



COMPARTMENT HOUSING

The choice depends on the Device is the space available to the aesthetic taste of the purchaser.

Recommendations

- Verify the correct size according to the size and characteristics of the environment.

- Check the chimney: MIN 18cm of diameter and tube vertical length MIN 2m.

- Verificare the correct dimensions of the front of the fireplace from the device chosen:

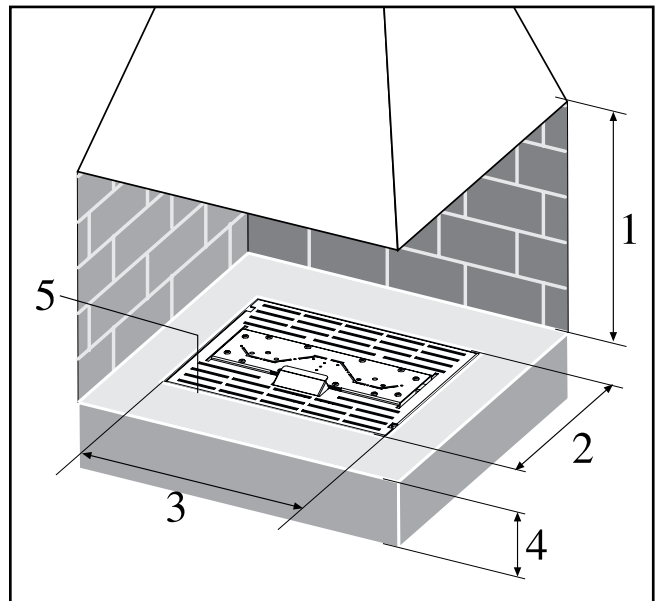
- The height (A) between the upper surface of the Device and the beginning of the hood 50cm chimney must be MAX.

⚠ Do not exceed these limits to facilitate the exit of smoke through the hood, preventing splashing in the installation.

- the housing compartment can have the same dimensions as the frame of the appliance (2, 3, 4).

⚠ The appliance can touch the internal walls of the housing compartment, only if the compartment is made or lined with fireproof material.

If the housing compartment is not made of fireproof material, create a cavity of MIN 5mm around the entire perimeter of the appliance.



FLUE

A. EXISTING FLUE

- Clean the existing flue before installing the appliance and before carrying out a flue gas evacuation test, according to the national regulations.
- Make sure that the flue is dedicated only to the appliance being installed and that it is not shared with other appliances already installed.
- Minimum vertical development 2 metres.
- Any restrictors (1) present along the path of the combustion products must be removed or fixed in full open mode.

B. VERTICAL FLUE CREATION

- Minimum vertical development 2 metres.
- Protect the flue from rain or dust penetration from above with a cover terminal (2) that does not obstruct the leakage of combustion products.

C. HORIZONTAL FLUE CREATION

- Minimum vertical development of 0.5 meters
- Horizontal development as required but with an electromechanical extractor obligation (3*, accessory not listed).

(3*) the electromechanical extractor must guarantee a pressure difference during the suction phase ranging from 40 to 80 Pascal, depending on the route of the flue.

In addition, the extractor must have the function of adjusting the rotation speed, as it is always the installer's responsibility to ensure stability of the flame and to avoid defects such as tearing or extinguishing the main burner with the extractor in operation.

it is possible buy the connection cable with the smoke extractor (Price List accessory).

This accessory offers the possibility of activating the fan of the extractor, when the power on command of the appliance is given.

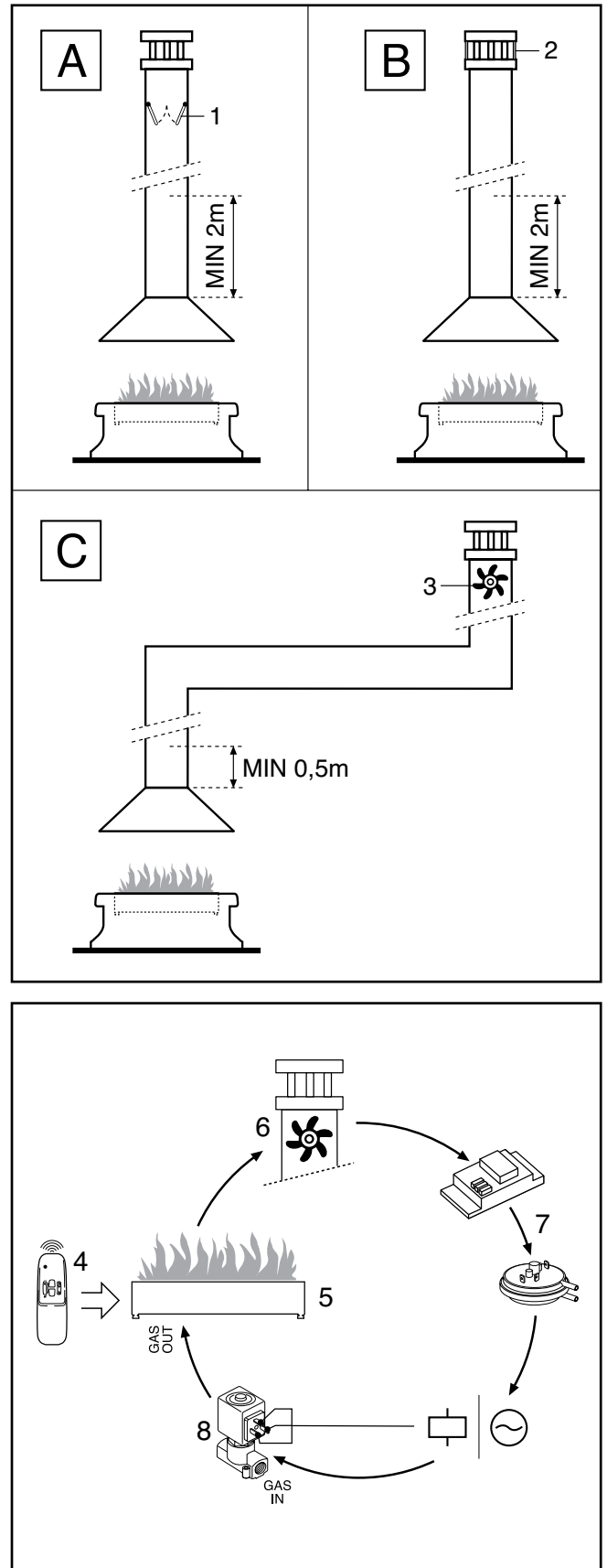
The Manufacturer suggests the purchase of extractors equipped with smart systems that detect any fan malfunctions and interrupt the flow of gas.

Operating diagram:

- when switching on (4) the receiver of the appliance (5) will give the ON pulse to the fan (6);
- the smart system or the pressure switch (7), will verify the correct operation and the correct suction;
- only afterwards will the solenoid valve opening command (8) be given.

In the event of a fan malfunction (6), the smart system or pressure switch (7) will interrupt the current on the solenoid valve (8) which will immediately close the gas flow to the appliance (5).

The interruption due to faults or anomalies in one of the illustrated elements will interrupt the operating cycle described in the figure, ensuring adequate safety.



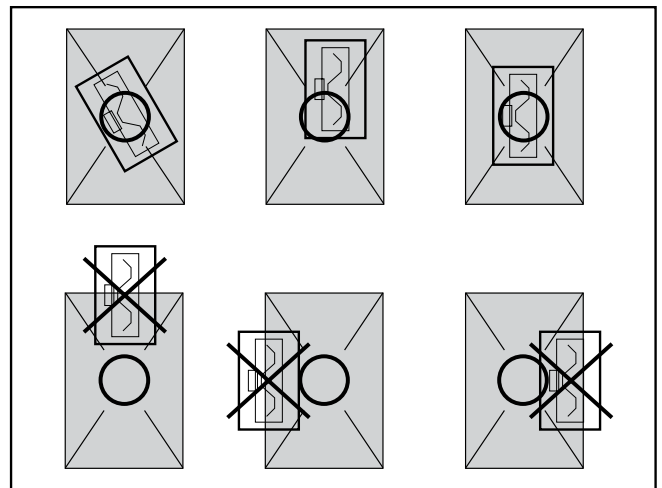
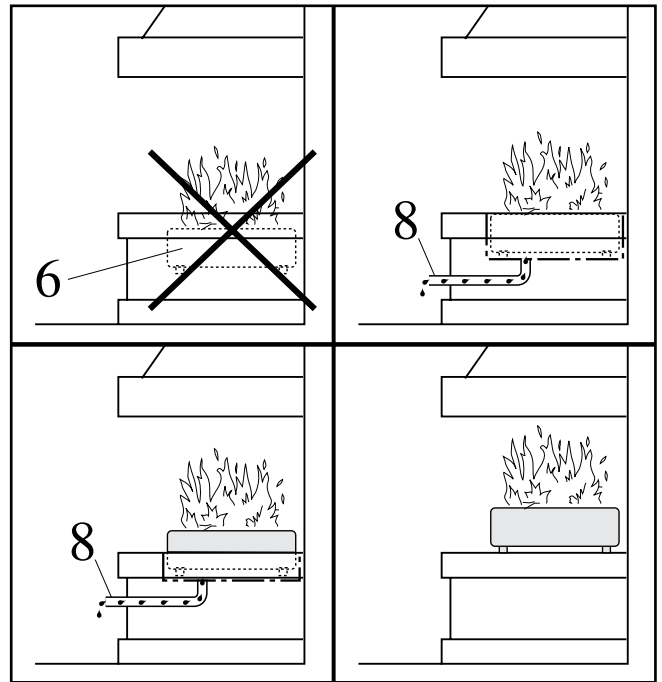
⚠ In the recessed type, the device should never be placed below the floor of the firebox (6) to prevent its malfunction, overheating and damage its components.

- His position is totally free, within the area under the chimney (7).

⚠ Do not install the device out of the area (7) in the flue, so that any vapors are not properly aspirated and expelled from the chimney.

⚠ Ensure that all products of combustion, 10 minutes after cold start, enter the flue stack, using a smoke generator (eg a match smoke bomb).

⚠ If installed outdoors, this appliance does not need a chimney for its operation, when not in use, protect the burner with the accessory cover. The lid can only be used if the burner is off and the appliance is completely cold. In the housing of the appliance, create a channel (8) for the outlet of the rainwater that accumulates could damage the appliance.



EXHAUST COMBUSTION FUMES

The combustion products must be discharged outside the room where the appliance is installed.

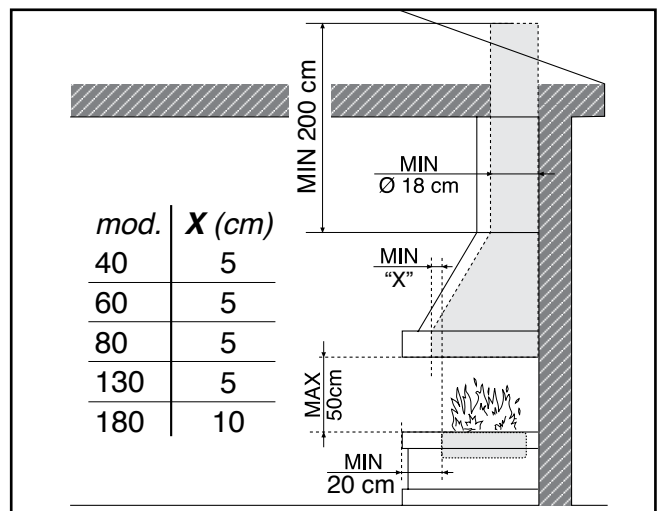
The flue gas can be discharged in different ways depending on the conditions of the room and the installation of one or more appliances in the same room.

Elements common to different types of flue:

- the presence of a conveyor hood with minimum dimensions according to the following table.
- the minimum diameter of the flue must be MIN 180mm (minimum equivalent section 255cm²)
- The temperature of the combustion products can reach 400°C so only use materials that are resistant to these temperatures.

The expulsion of combustion products must take account the type of roof and above all must be in compliance with national rules to:

- avoid defects of poor circulation
- avoid a situation whereby the effect of the wind prevents draft
- avoid discharging into areas harmful to neighbours



	40	60	80	130	180	
MIN width	540	630	940	145	200	mm
MIN depth	430					mm
MIN inclination	48°	42°	28°	18°	12°	
MIN / MAX distance between the fire bed and the hood	100 / 500					mm

IRRADIATION AREA

⚠ In this unit there are open flames, use a suitable shelter for the protection of children, the elderly and the handicapped.

⚠ Maintain a safety distance of at least 1m (1) between the appliance and objects made of combustible or inflammable material: wood furniture and furnishings, objects and curtains, etc. Never move the Appliance close to or in direct contact with combustible materials, heat-sensitive materials or inflammable materials; furniture, beams, ceilings, curtains etc.

⚠ Before completing all the covering, always check: position and fastening of the Appliance, the definition of all connections (gas and electricity) and correct operation.

⚠ Always provide an easy to remove area on the opposite side or covering to allow any inspections, cleaning or repair of hidden areas.

INSTALLATION

Before going ahead with installation, make sure the data in the Appliance plate correspond to the gas supply type and pressure.

Only skilled personnel should make the gas connections in compliance with applicable regulations.

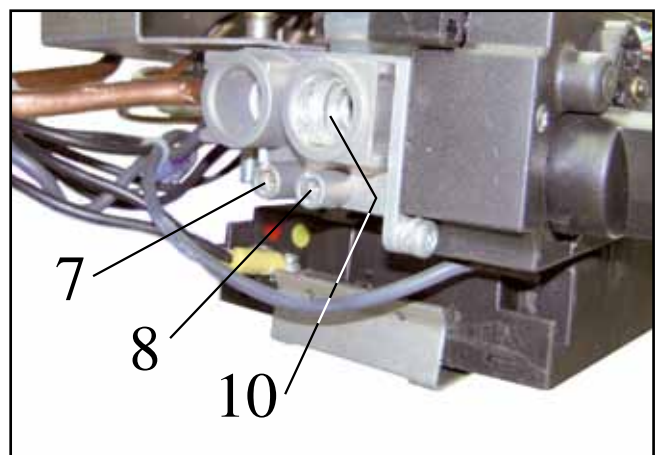
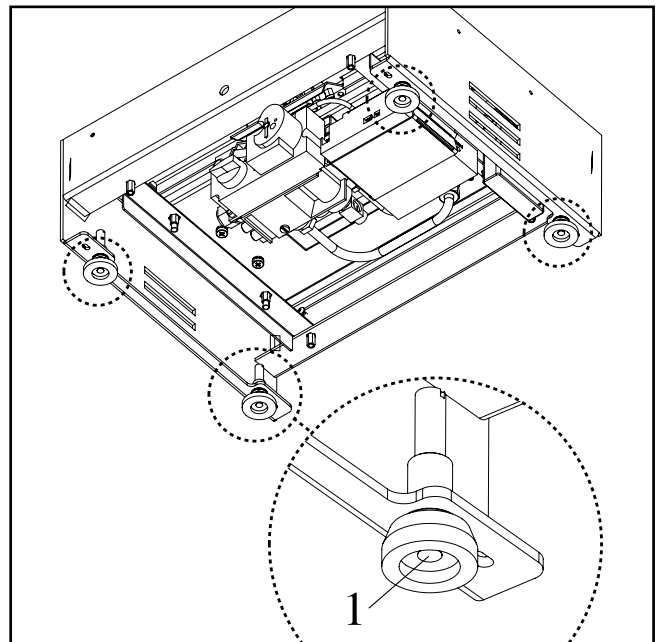
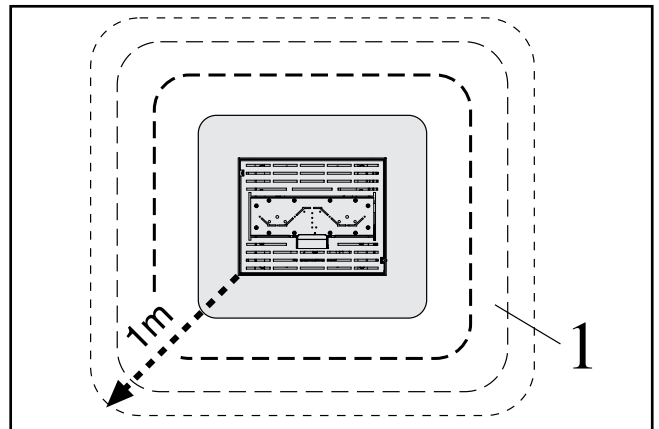
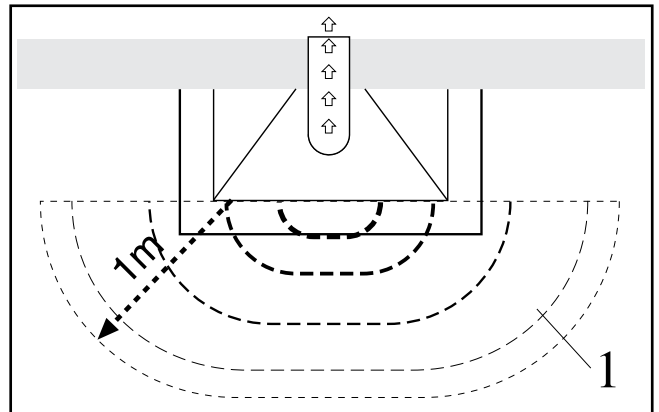
Make sure the gas supply pipe is of suitable capacity and that it features an easy-to-access on/off tap close to the appliance.

Installation

- Take advantage of the adjustable feet (4) to position the device at the desired height.
- Make the gas connection (10, CNG or LPG) respecting the size of the pipe, remove any burrs and internal impurities.
- Make the electrical connection: the power supply accessory kit, avoids the replacement of batteries in the receiver.

⚠ Before starting up the Device, check carefully:

- Keeping the Device;
- Performance and seal duct smoke outlet (if any);
- Shut-off function;
- Operation of pilot flame ignition;
- Main burner operation;
- Operation of thermocouples;
- Test of gas pressure to the nozzles, with micromanometer be inserted into the sockets 7 (exit) and 8 (entry).



COVER THE MODEL

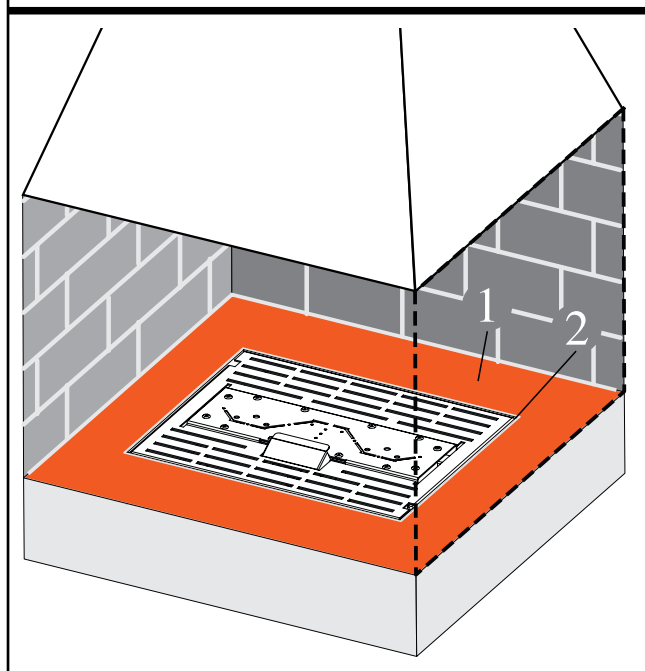
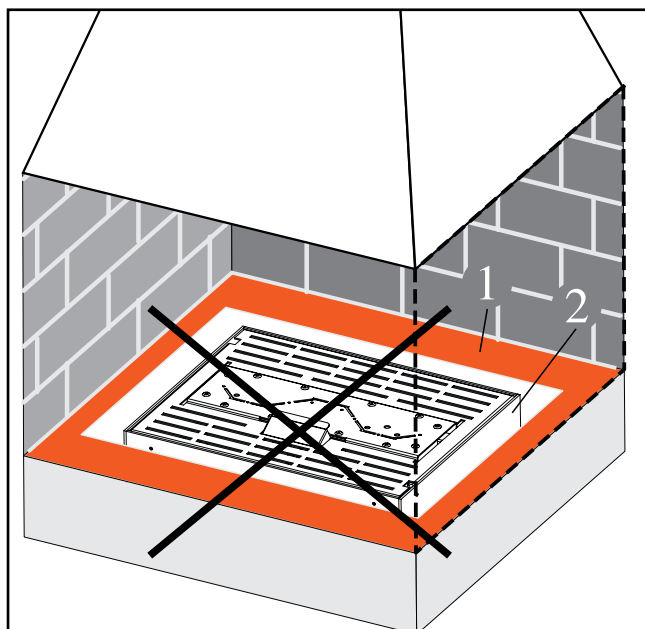
⚠ Install the device without the use of cement or other adhesives for the building that may prevent the eventual removal.

⚠ The Ductwork coating, all self-supporting, complete the installation of this device and must be constructed of nonflammable material in full compliance with the regulations.

Unlike other similar products on the market, this device makes it possible to bring the coating Ductwork (1) in direct contact with the frame (9).

installation

- Check the tightness of the pipes and gas fittings;
- Check the tightness of the flue;
- Check the electrical connections (if any);
- Verify the correct operation of the Device;
- Bring the flush finish of the frame (9);



SAFETY

This device has two safety devices:

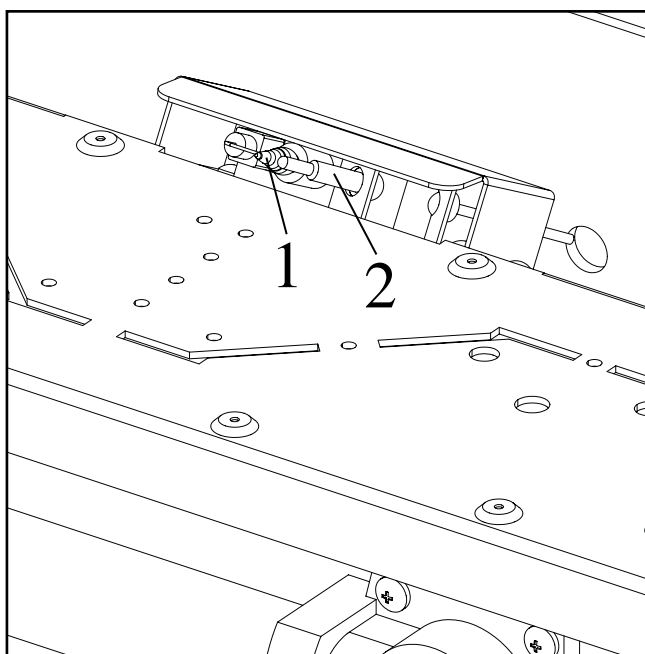
- Atmosphere sensing device (1)
- Thermocouple (2)

Atmosphere sensing device

Based on measured air quality, this device turns off or prevents re-ignition of the Device. Under the test conditions according to EN, this device sensitive to the atmosphere, intervenes before the CO concentration in the environment, is greater than 200×10^{-6} (V / V).

Thermocouple

In case of accidental extinguishing of the flame or sudden lack of gas supply, this device provides the immediate closure of the valve off and then the Device.



LOG SET AND PEBBLES

⚠ Use only embers, ceramic logs and river rock that comes with the kit, do not add the other and respect the arrangement indicated by the manufacturer.

⚠ Always use original parts or parts supplied by the manufacturer, the installation must be carried out by personnel authorized by the manufacturer or a qualified technician.

installation

- Distribute the coals, taking care not to penetrate into the rider protection to avoid damaging the pilot or thermocouple;

- Place the logs or stones in the order shown in the operating position of wood and stones;

⚠ Do not change the arrangement of the wood and embers in the fireplace from that intended by the manufacturer.

⚠ The handling and placement of logs and embers in the hearth, must be done with work clothing with long sleeves and long pants, using:

- Protective mask to avoid inhaling particles of ceramic fiber.

- Work gloves to avoid contact with bare hands.

- Working-glasses with side shields to prevent any particles of ceramic fiber in the eye.

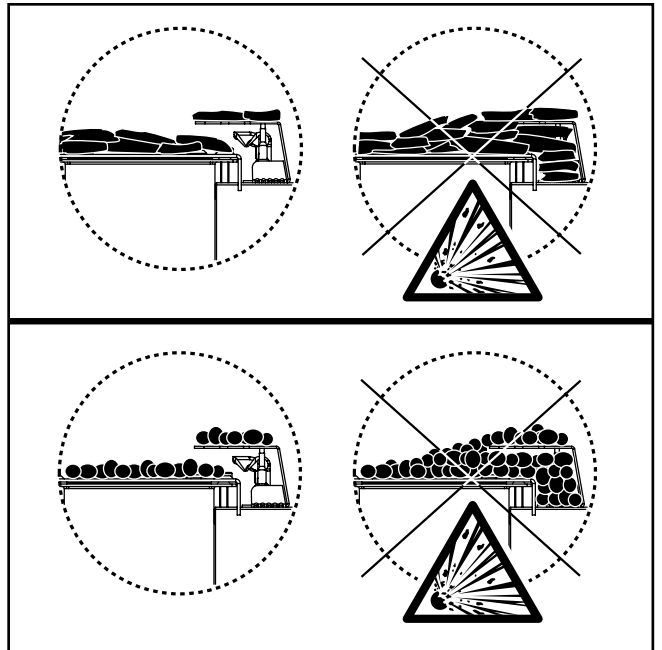
⚠ Gently and carefully position the coals, and all logs are very fragile components.

If you find one or more sockets broken or chipped, but not installing them to replace them immediately.

⚠ To clean the wood and coals, never use a vacuum cleaner to avoid damage and displacement from the position indicated by the manufacturer on the device.

- Turn on the device to test the „behavior“ and appearance of the flame.

⚠ Do not dispose of waste (paper, cigarette butts, plastic and inflammable material) depending on the unit to avoid possible damage creating a hazardous situation.



⚠ IMPORTANT! BEFORE PROCEEDING WITH IGNITION, CAREFULLY READ ALL THE INSTRUCTIONS AND PRECAUTIONS SHOWN IN THIS BOOKLET.

⚠ When first ignited, the Appliance may give off a bad smell or vapours. This is entirely normal. The best thing is to ventilate the premises adequately.

⚠ After igniting, allow the appliance to operate for about ten minutes at maximum output, to permit adequate heating.

⚠ If the appliance is to be used for short periods of time, it is best not to switch it off but rather leave it with the pilot light on. This way, the formation of condensation is prevented in the pipes that reach the flue and which, in the long term could cause hearth corrosion.

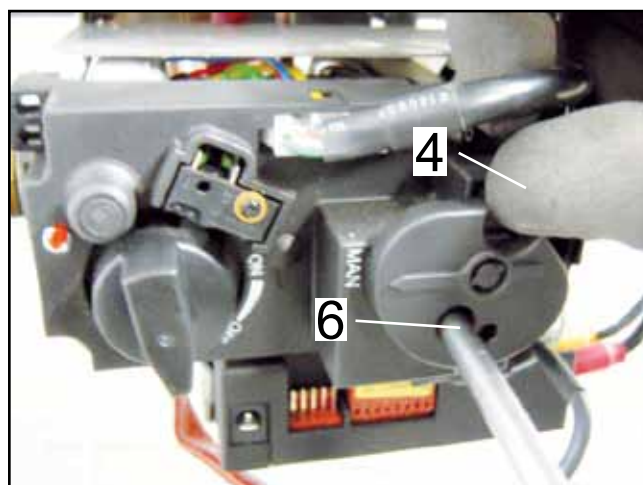
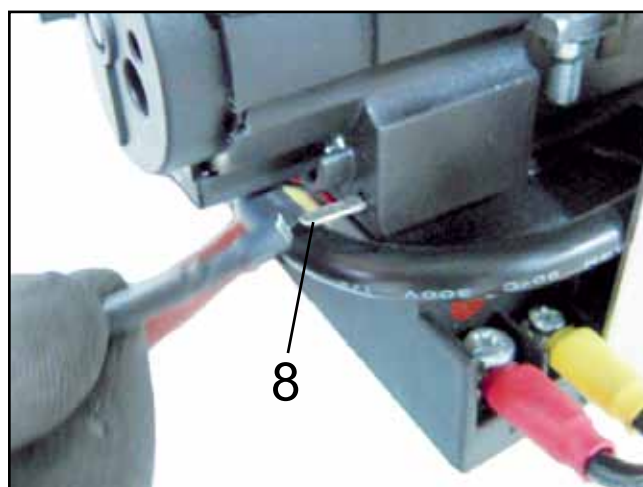
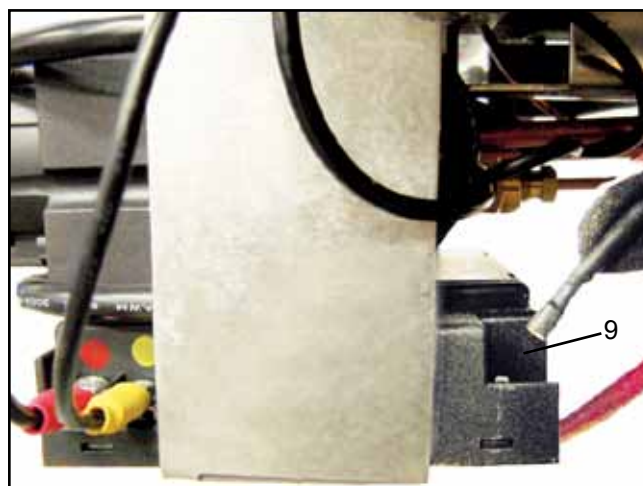
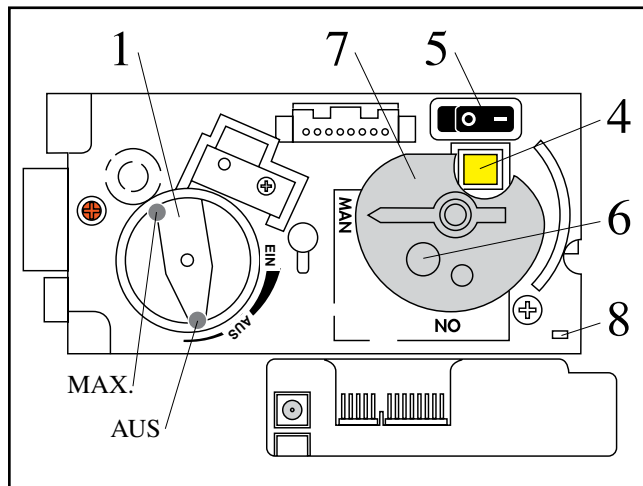
MANUAL CONTROL (without remote control)

⚠ First ignition could be difficult because of the possible presence of air in the gas pipe. In case of short ignition or switch-off of the appliance, wait at least 5 minutes before repeating the ignition operation.

Ignition

- Open the gas supply tap.
- Switch on the valve unit, positioning the switch (5) on "I";
- Position the adjustment knob (1) on "OFF";
- Turn the knob (7) to manual "MAN";
- Disconnect the ignition lead from the rear connector (9) and fit it in the terminal (8);
- Insert a screwdriver in the hole (6) and keep the magnet Switch pressed;
- Press the piezoelectric ignition button (4), with the magnet Switch pressed, until the pilot flame comes on. Keep the magnet Switch pressed for about 10 seconds, to allow adequate heating of the Thermocouple;
- Remove the screwdriver and release the magnet Switch;
- Turn the knob (7) to automatic "NO";
- Turn the knob (1) from "OFF" to "MAX" according to need.

⚠ In "OFF" position, the pilot flame is not switched off but remains on at minimum.



Switch-off

- Switch off the appliance: turn the control knob clockwise and return to “PILOT” position.
 - To switch the appliance off definitively (prolonged period without use): turn the control knob clockwise as far as “PILOT” position.
- After reaching this position, press the control knob and turn it to “OFF” position.
Close the gas supply tap.

REMOTE CONTROL UNIT

Ignition

- Open the gas supply tap.
- Press the switch (5) of the gas valve in “I” position.
- Make sure the knob (7) of the manual operation mechanism is positioned on “ON”.
- Point the remote at the device and simultaneously press the „SPARK“ and „Triangle UP“ on the supplied remote.

⚠ Point the remote control directly towards the sensor at a distance of 3m MAX avoiding interference with light sources or obstacles.

- An acoustic signal will indicate the start of the start sequence. The electronic system checks correct gas flow and ignites the main burner (these operations could take up to 20 seconds). After burner ignition, the flame automatically positions on maximum.

⚠ If the pilot flame goes out, wait at least five minutes before repeating the described operation. During the start phase, the knob of the manual operation mechanism must be on “ON”.

Operation

Setting the code: is selected automatically between 65000 codes. The receiver (at the edge of the chimney) must know the remote control code:

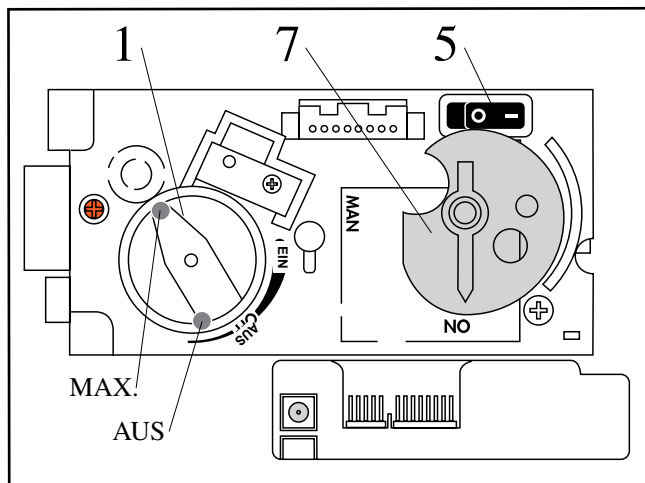
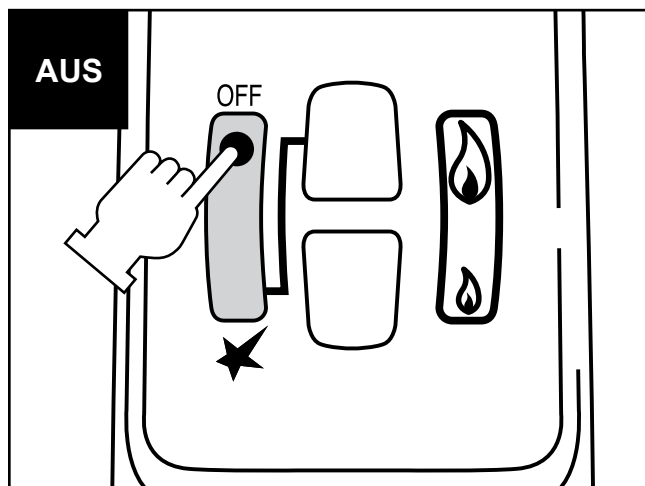
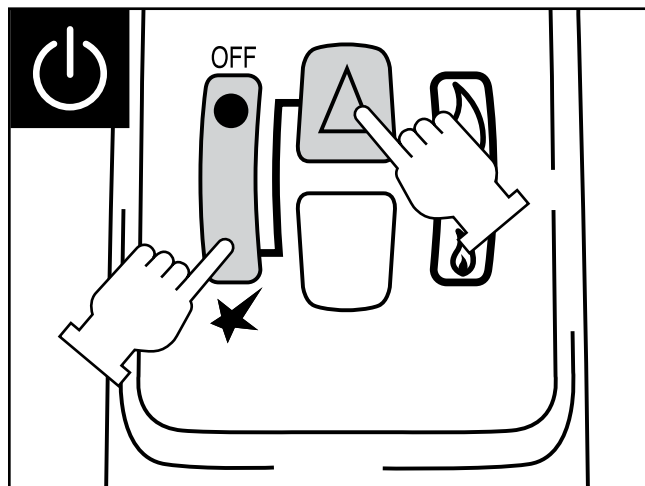
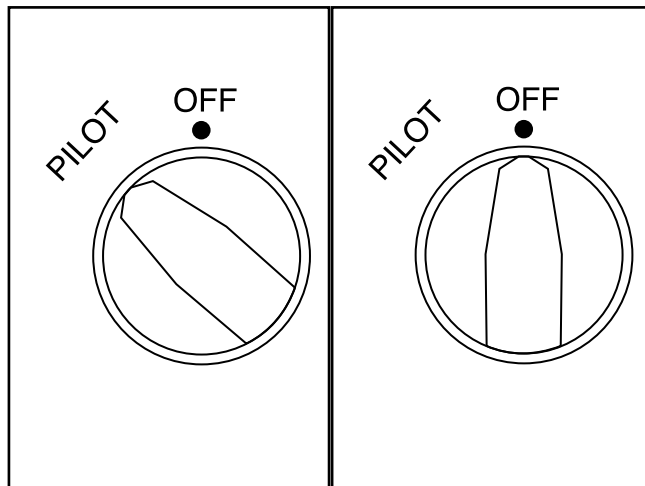
- Press and hold the RESET button of the receiver in the fireplace until you hear two (2) beeps: the first is short and the second is long. After the second beep, release the RESET button.
- Within the next 20 seconds, press the button (small flame) on the remote until you hear two short beeps, which further confirm the correct setup code. If you hear one long beep, the acquisition sequence code failed or the wiring is incorrect.

⚠ This setting is performed only once and is not required after changing the batteries on the remote or receiver.

⚠ Once the Appliance has been switched on, the Manufacturer suggests leaving it running for 10 minutes at max output, before making any adjustments.

At minimum, the burner remains off, leaving on only the pilot flame.

From minimum position, the output can be turned up without repeating the ignition operation.



Regulation

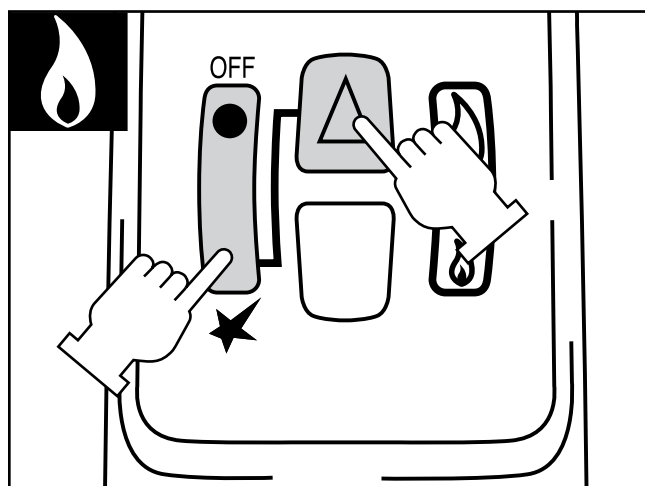
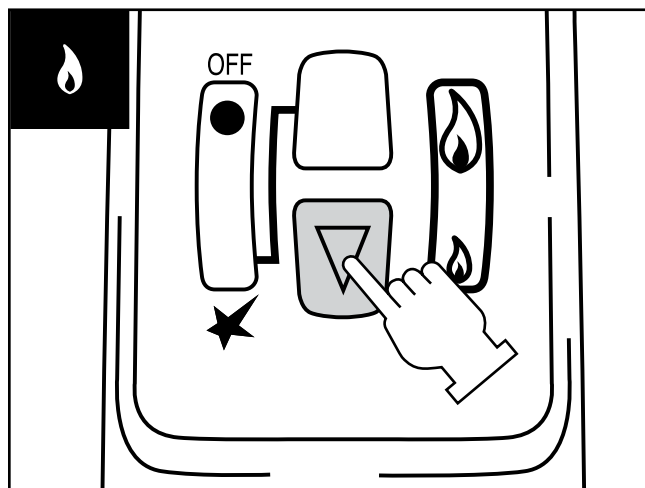
This appliance has one types of remote control **BASIC** model (supplied) with Off and flame increase and decrease keys;

Once turned on, you can choose the power level of the Device using the remote control.

- Press the remote button „triangle DOWN“ to reduce the intensity of the flame.

- Press „triangle UP + SPARK“ to raise the intensity of the flame.

⚠ **The increase in the intensity of the flame through the use of two keys is a safety feature designed by the manufacturer to avoid sudden and accidental blazes.**



REPLACING THE BATTERIES

The remote-control unit and the receiver unit are complete with batteries. To change these, remove the shell of the respective compartments and change them, being careful not to switch over the polarities. Use 1 x 9V PP3 battery in the remote-control unit and 4 x 1.5V AA in the receiver unit.

Replacement

- Remove all the wood or stones;
- Clean up and remove the cover plate;
- Remove the battery case;

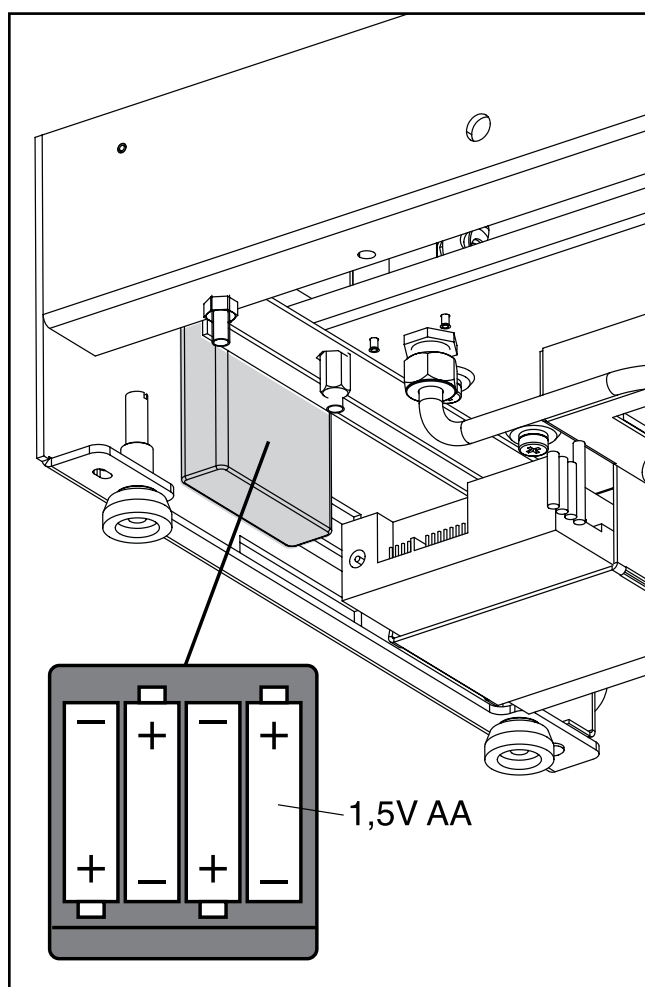
⚠ **The battery case with the supplied cable, can be located away from the unit to allow easy replacement of batteries.**

- Remove the locking screw of the cover to access the battery compartment;
- Replace the batteries;
- Reassemble in reverse order of removal.

⚠ **The old batteries must be disposed of in accordance with applicable regulations.**

⚠ **Do not remove the batteries using metal tools as this could seriously damage the electronic contacts.**

⚠ **Check annually the proper state of preservation and operation of the batteries to avoid any leakage that might damage the contacts and jeopardize the operation unit.**



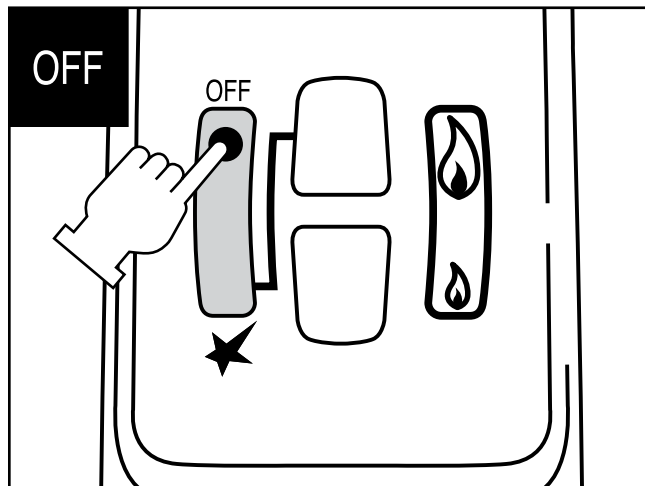
Final switch-off

The Appliance can be switched off from any heating position: press the "OFF" key on the remote control for a few seconds.

To ensure long battery life, move the switch "O - I" (5) on the gas valve to "O" position.

The system features an automatic safety lock that prevents further ignition until it is disengaged (this operation could take a few minutes).

⚠ If the appliance is not to be used for a long period of time, close the gas tap.



MANUAL OPERATING MECHANISM WITH DISENGAGEMENT OF AUTOMATIC

The system features a "manual operation" mechanism that allows starting the appliance manually in case of a receiver unit or remote-control unit fault.

Starting the appliance manually

- Disconnect the lead that connects the receiver unit to the piezoelectric (9) and connect this to the connection (8) on the gas valve.

- Turn the manual operation knob (7) to "MAN" position. In this position, access is freed to the magnet switch (6) and to the piezoelectric spark plug (4).

- Light the pilot flame keeping the magnet switch (6) pressed with a screwdriver and push the piezoelectric spark plug (4) several times so as to produce a spark to ignite the flame.

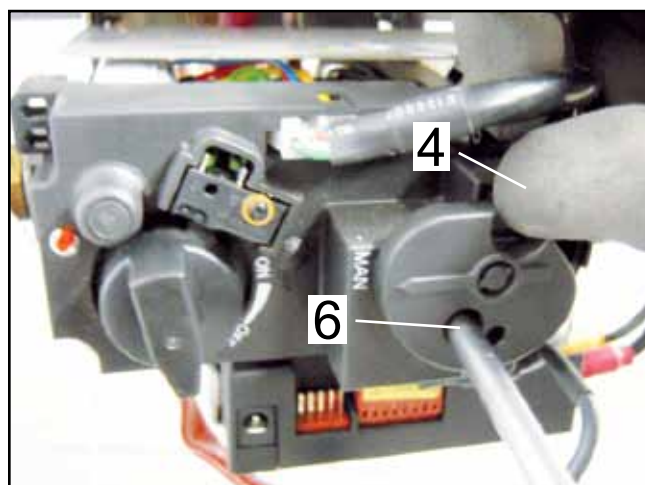
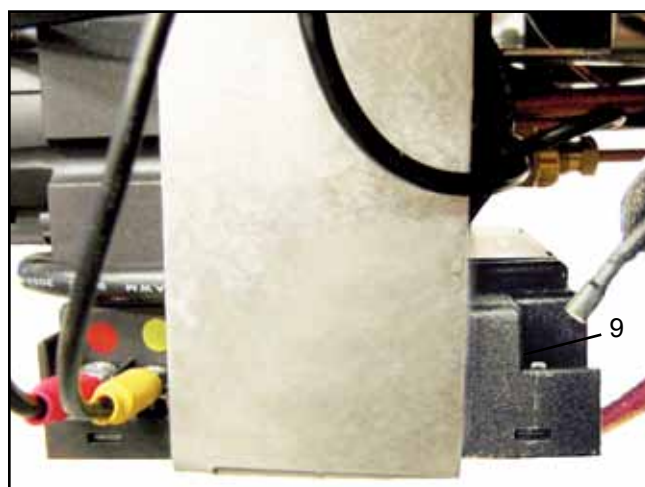
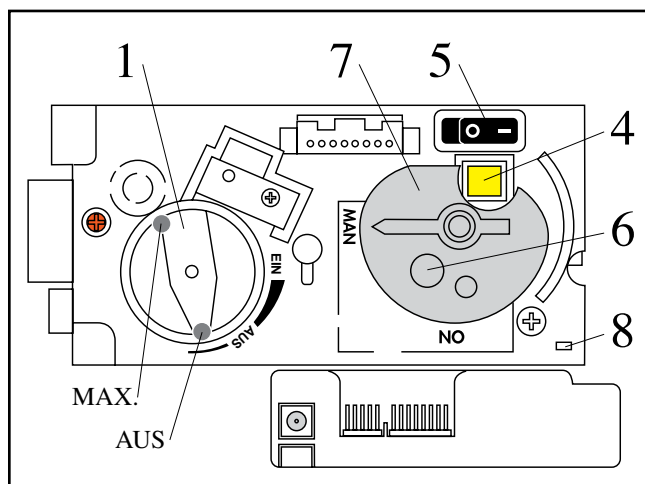
- Keep this pressed for about 15 seconds, until the pilot flame has stabilised.

⚠ If the pilot flame does not stay on once the switch has been released, repeat the entire operation.

As soon as the pilot flame is on steady, turn the manual operation knob (7) to "ON" position.

To regulate the gas, use the second control (1).

The appliance can be disengaged from the manual operation mechanism by means of the switch "O - I" (5).



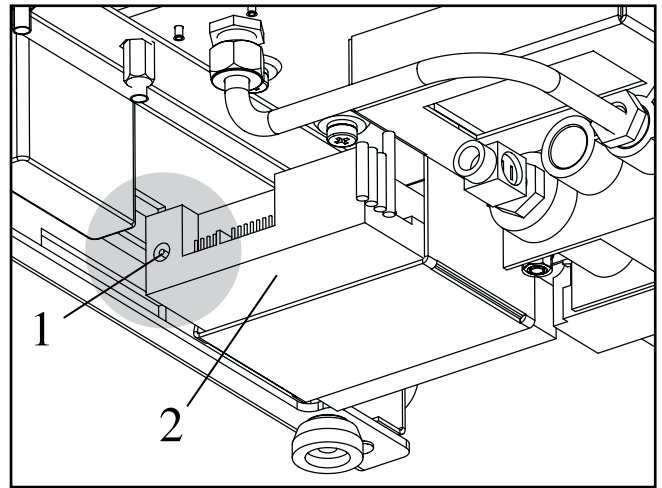
POWER SUPPLY

The receiving unit, for its operation, requires batteries that run out by frequency of use of the appliance. To prevent the replacement (about every two years), the device can be connected to the power line connecting the power cord into the socket (1) present on the receiving unit (2).

⚠ Connecting the appliance to the power line network, the batteries (if present) are automatically excluded and do not activate in the event of sudden absence of the power supply.

⚠ With the „wiring kit“ installed, remove the batteries from the receiver to avoid damage due to spillage of acids.

⚠ To turn the unit in case of power cut simply unplug the power cord from the socket (1) and insert the batteries into the compartment.



MAINTENANCE

⚠ Clean only when it is switched off and completely cool.

- Cleaning the upholstery

Stainless steel, wipe with a soft, dry cloth. After this first step you should use a degreaser such as acetone or vinegar diluted with water.

Painted metal, use a soft cloth dampened with water.

⚠ For painted metal parts do not use alcohol, paint thinner, gasoline, acetone or other substances or abrasive cleaners.

If they use the Manufacturer assumes no liability for any damages caused: tonal variations, scratches, etc..

- Cleaning the ceramic logs

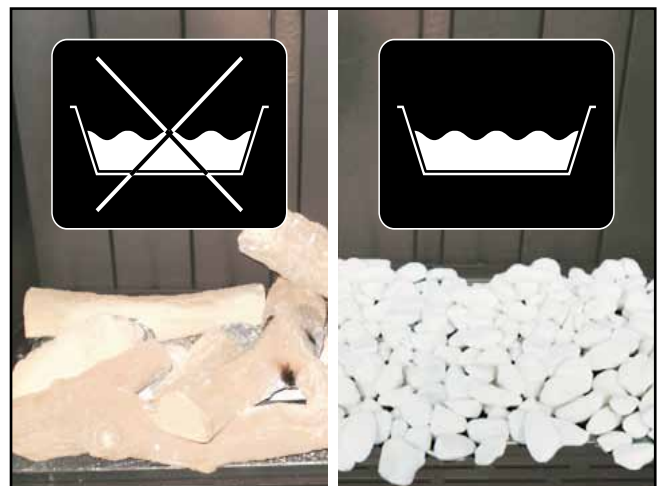
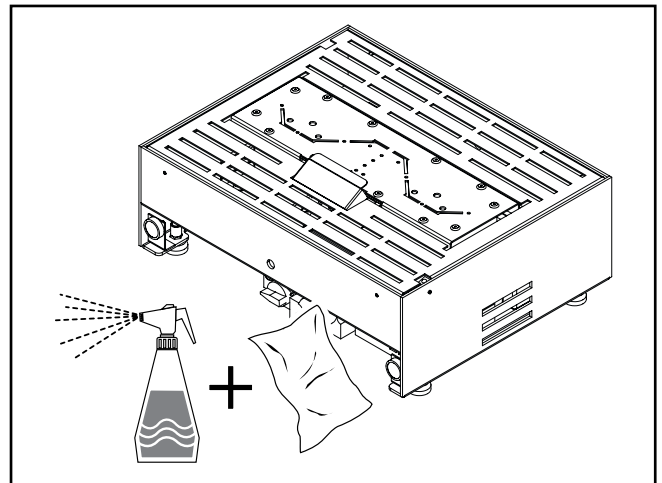
⚠ Remove each item from the apparatus, taking care not to damage it, if broken replace it immediately.

Clean each stick with a gentle stream of compressed air, during cleaning operations to avoid a too close contact with the workpiece to prevent any damage or breakage.


⚠ Do not wash the logs with water or other liquids to avoid compromising the integrity and appearance.

- Cleaning the stones

⚠ Remove each item from the apparatus, taking care not to damage it, if broken replace it immediately.



ROUTINE MAINTENANCE

 **Any type of job done on the appliance must only be performed by a qualified technician and AT LEAST ONCE A YEAR.**

Cleaning the hearth


- Delicately brush and reposition all the ceramic elements and if necessary change the damaged elements.
- Brush the gas outlet holes (flames) on the burner.


Check the burner and for any gas leaks

- Make sure the burner is clean and check its integrity.
- Check the gas outlet safety system. If necessary adjust the burner. The technician must also check the regulation pressure at the burner inlet.
- Check the existence of any gas leaks in the system.
- Proceed to check the ignition.

Checking the fireplace.

Check the correct operation of the fume exhaust and combustion air suction pipes.

 **The Appliance must only be used for the purpose intended by the Manufacturer and for which it was expressly designed and made. The Manufacturer disclaims any contractual and non-contractual liability for injuries and damage caused to people, animals or things as a result of the wrong installation, regulation, maintenance or improper use of the Appliance.**

 **Spare parts and/or technical jobs require the prior identification of the model of appliance to which they refer.**

The tampering, removal, lack of Technical Plate, etc., will not allow the correct identification of the product and will make installation operations and subsequent maintenance jobs difficult.

FAULTS AND SOLUTIONS

Pilot flame does not ignite (no sparks):

- Check that there are charged batteries in the remote control and in the receiver; if you are using the power supply, check for correct operation
- Check that the ignition electrode cable is not damaged or not inserted in the ignitor pin
- Check that the remote control is giving the correct ignition impulse
- Check that the electrode and the device are not wet
- Make sure you are within range of the infrared signal and that you are pointing correctly at the receiver

Pilot flame does not ignite (it sparks):

- Check the inlet gas pressure
- Check for any gas leaks
- Check that the pilot is not obstructed

Pilot flame lit but unstable:

- Check for the presence of air in the gas circuit
- Check the correct inlet pressure (see technical data on the label)
- Check that the pilot is not partially obstructed
- Protect the flame from drafts

Pilot flame goes out after a few seconds of operation:

- Check gas pressure
- Check for adequate ventilation in closed rooms
- Check that the flame is touching the thermocouple correctly
- Check for the absence of obstacles between the pilot flame and thermocouple
- Check that the thermocouple is not damaged
- Check that the thermocouple is not dirty, in this case clean gently with abrasive paper
- Check that the thermocouple is not wet
- Check that the appliance is not subject to too intense air currents

Pilot flame lit and main burner no:

- Check that the gas outlet holes from the main burner are not blocked by decorative elements, other objects or by the presence of water
- Check that the pilot flame is correctly directed towards the main burner
- Check that after the pilot has been ignited, the gas knob is in the ignition position of the main burner
- Check that the operating knob is in the ON position and not MAN
- Check the correct valve outlet pressures in the MAX and MIN position



ITALKERO S.r.l. . via Lumumba 2 . Zona Ind. Torrazzi . 41122 Modena . Italy . Tel +39 59 2550711 . FAX +39 059 4900500 . www.italkero.it

NOTA: Nel continuo perfezionamento del prodotto, le caratteristiche estetiche e dimensionali, i dati tecnici, gli equipaggiamenti e gli accessori, possono essere soggetti a variazione.

NOTE: Due to ongoing product upgrading, aesthetic and dimensional features, technical details, fittings and accessories could undergo changes and are not binding.

NOTE : En vue de l'amélioration continue des produits, les caractéristiques esthétiques et de taille, les données techniques, l'équipement et les accessoires peuvent être modifiés.

HINWEIS: Im Bestreben unsere Produkte kontinuierlich zu verbessern, können maßbezogene und ästhetische Eigenschaften, technische Daten, Ausrüstungen und Anlagen sowie Zubehörkomponenten Veränderungen unterworfen sein.